



Chipsmall Limited consists of a professional team with an average of over 10 year of expertise in the distribution of electronic components. Based in Hongkong, we have already established firm and mutual-benefit business relationships with customers from,Europe,America and south Asia,supplying obsolete and hard-to-find components to meet their specific needs.

With the principle of “Quality Parts,Customers Priority,Honest Operation,and Considerate Service”,our business mainly focus on the distribution of electronic components. Line cards we deal with include Microchip,ALPS,ROHM,Xilinx,Pulse,ON,Everlight and Freescale. Main products comprise IC,Modules,Potentiometer,IC Socket,Relay,Connector.Our parts cover such applications as commercial,industrial, and automotives areas.

We are looking forward to setting up business relationship with you and hope to provide you with the best service and solution. Let us make a better world for our industry!



Contact us

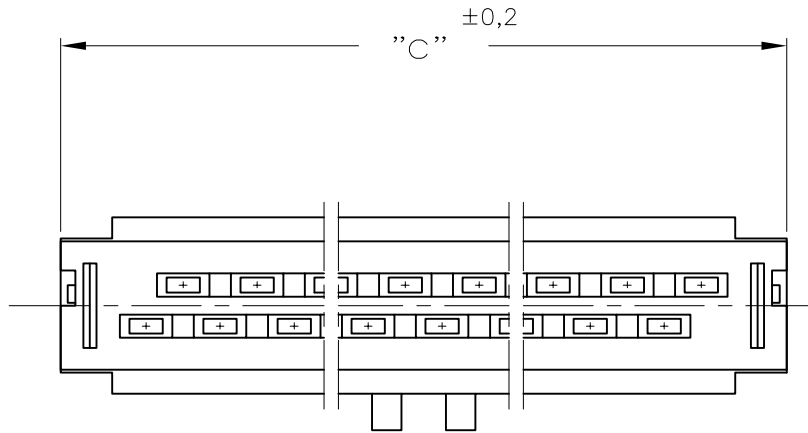
Tel: +86-755-8981 8866 Fax: +86-755-8427 6832

Email & Skype: info@chipsmall.com Web: www.chipsmall.com

Address: A1208, Overseas Decoration Building, #122 Zhenhua RD., Futian, Shenzhen, China

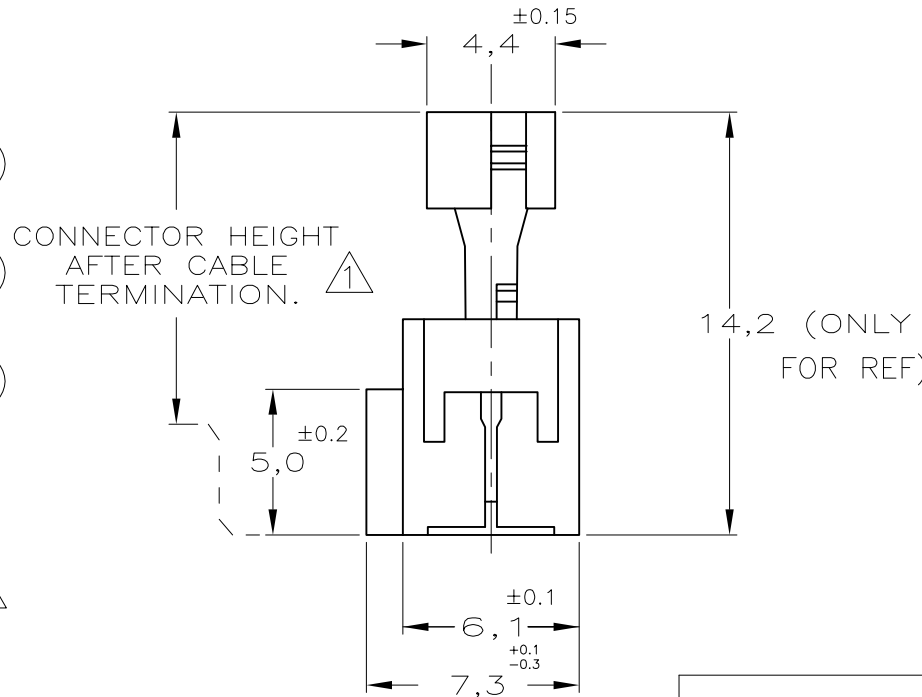
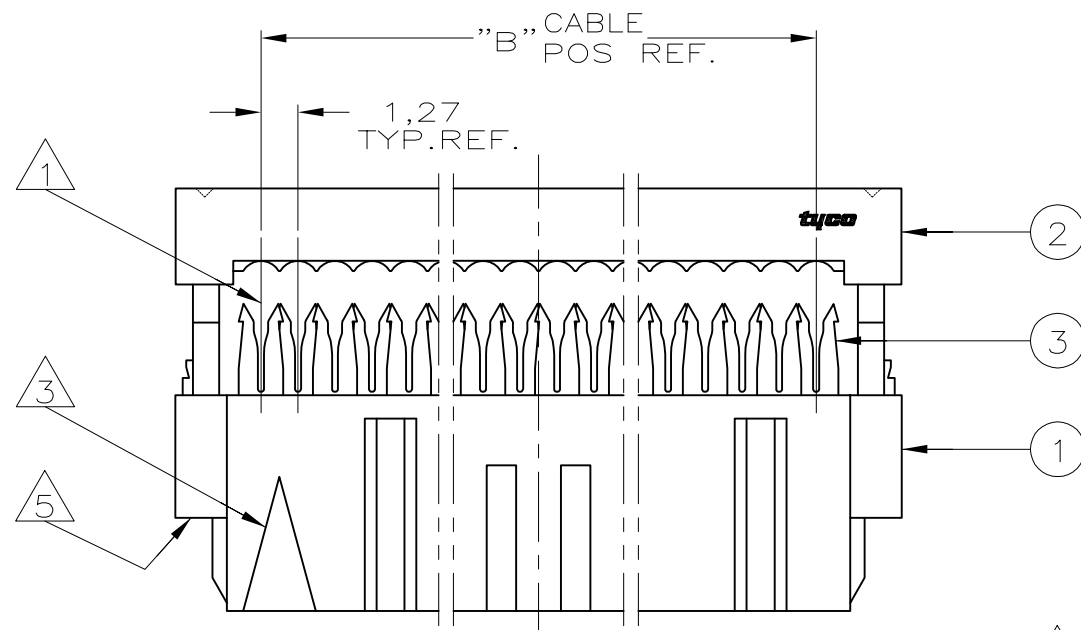


LOC	DIST	REVISIONS			
P	LTR	DESCRIPTION	DATE	DWN	APVD
J	-	E	ADDED PACKING INFORMATION	27JUN2012	Y.U T.K

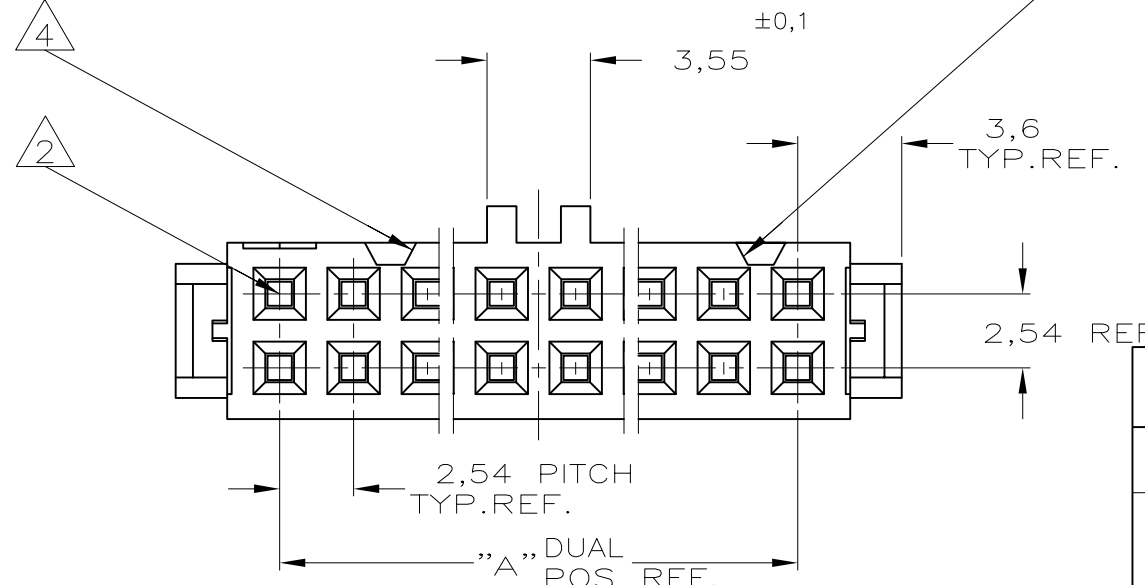


NOTES:

- ① CONNECTOR IS DESIGNED FOR FLAT RIBBON CABLE ON 1,27 CENTERS . FOR CABLE REQUIREMENTS SEE AMP APPLICATION SPECIFICATION 114-19022.
- ② THESE RECEPTACLE CONNECTORS MATE WITH 0,64^{±0,05} mm SQUARE OR ROUND POSTS ON 2,54mm GRID.
- ③ MARK INDICATING FIRST CABLE POSITION REFERRING TO CONTACT POSITION.
- ④ THERE IS NO POLARIZATION-SLOT AT THIS END IN 6, 10 AND 14 POS CONNECTORS.
- ⑤ THESE CONNECTORS CAN BE USED IN CONJUNCTION WITH STRAIN-RELIEF COVERS OF PARTNR: 182762.
- ⑥ THERE IS NO POLARIZATION-SLOT AT THIS END IN 6 POS CONNECTORS.
- ⑦ PRODUCT SPECIFICATION 108-19033.
- ⑧ OBSOLETE PARTS: OBSOLETE CIS STREAMLINING PER D.RENAUD/D.SINISI



DIM."C"	"B" CABLE POS.	"A" DUAL POS.	PARTNUMBER	PART REV.	
85,9	64	32	6-215911-4	D	
80,8	60	30	6-215911-0	D	
68,1	50	25	5-215911-0	D	
60,5	44	22	4-215911-4	D	
55,4	40	20	4-215911-0	D	
47,8	34	17	3-215911-4	D	
42,7	30	15	3-215911-0	D	
37,6	26	13	2-215911-6	D	
30,0	20	10	2-215911-0	D	
24,9	16	8	1-215911-6	D	
22,4	14	7	1-215911-4	D	
17,3	10	5	1-215911-0	D	
OBSOLETE	14,8	8	4	0-215911-8	C
OBSOLETE	12,2	6	3	0-215911-6	D
OBSOLETE	9,7	4	2	0-215911-4	C



COMPONENT NAME	MATERIAL	PLATING / COLOUR
③ RECEPTACLE CONTACT	PHOSPHORBRONZE Cu Sn6	AT CONTACT-PLACE: 0,2µm GOLD AT WIRING END: 2,5µm TIN ENTIRE UNDERCOATING: 1,27µm NICKEL
② COVER	THERMOPLASTIC POLYESTER UL 94 -V0	GREY RAL 7032 (ONLY FOR REF.)
① HOUSING		

THIS DRAWING IS A CONTROLLED DOCUMENT.

DWN	W.R.VERBEET	04FEB1988
CHK	R.VERSTIJNEN	05FEB1988
APVD	L.V.SOEST	05FEB1988
PRODUCT SPEC	-	-
APPLICATION SPEC	-	-
WEIGHT	-	-

STE TE Connectivity

AMP-LATCH_MIL-TYPE
RECEPTACLE_CONNECTOR
ASSEMBLY_(SYMMETRIC_COVER)

SIZE	CAGE CODE	DRAWING NO	RESTRICTED TO
A3	00779	C-215911	-

CUSTOMER DRAWING SCALE 4:1 SHEET 1 OF 2 REV E

4

3

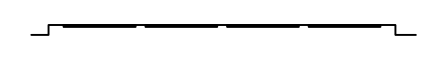
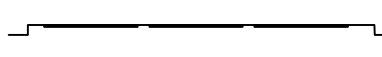
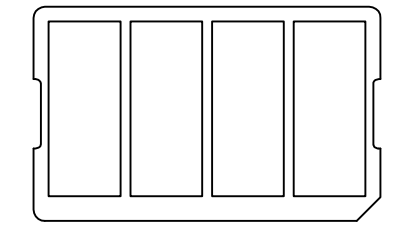
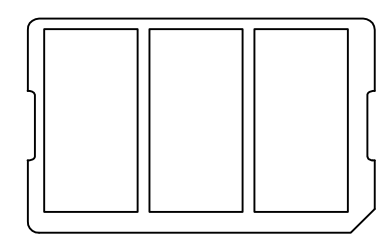
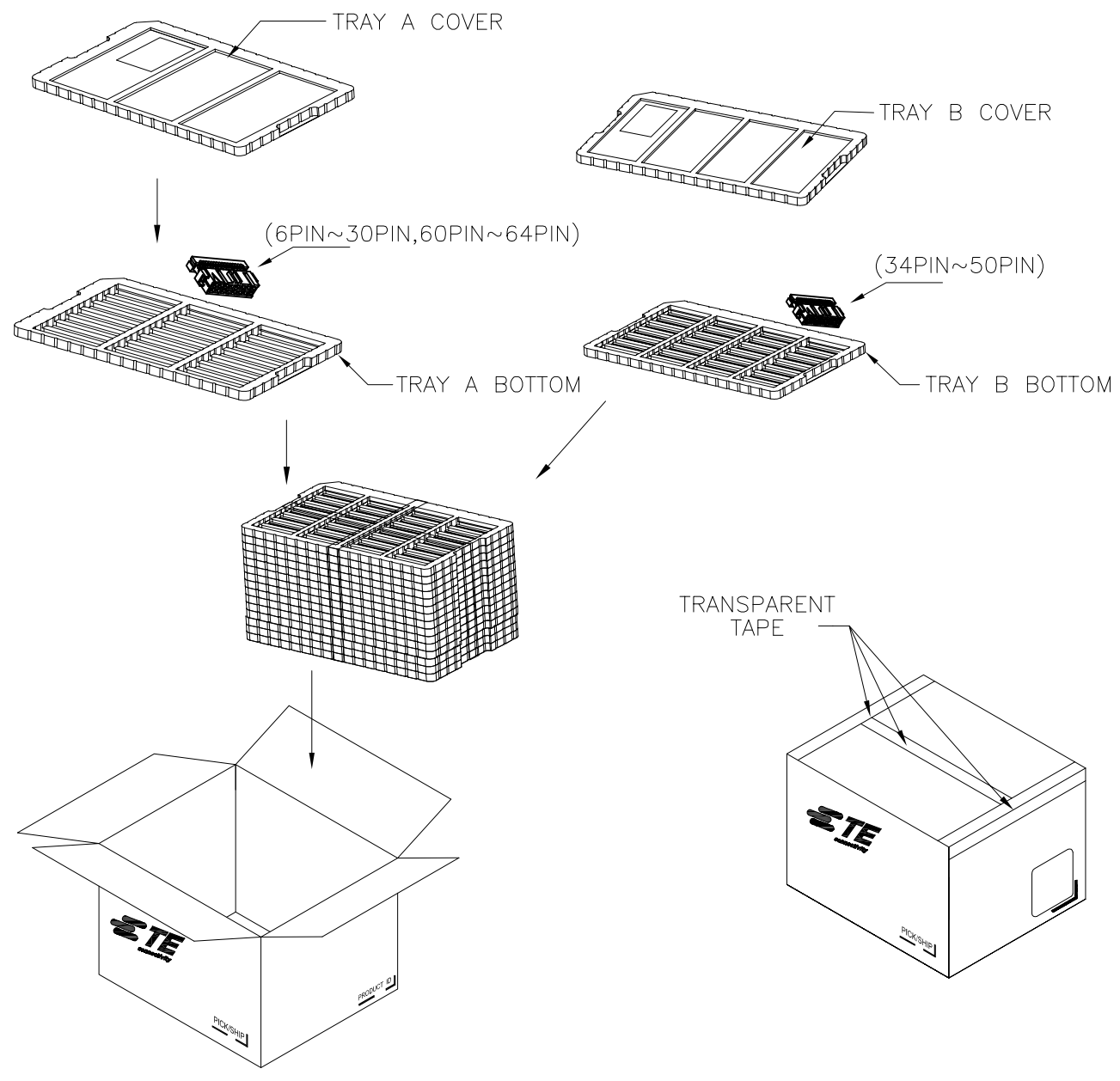
2

1

THIS DRAWING IS UNPUBLISHED. RELEASED FOR PUBLICATION
© COPYRIGHT - By - ALL RIGHTS RESERVED.

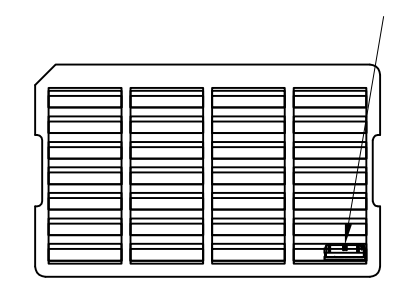
LOC	DIST	REVISIONS					
		P	LTR	DESCRIPTION	DATE	DWN	APVD
J	-	-	-	SEE SHEET 1	-	-	-

PACKAGING SPECIFICATION



TRAY A COVER

TRAY B COVER



TRAY A BOTTOM

TRAY B BOTTOM

THIS DRAWING IS A CONTROLLED DOCUMENT.		DWN W.R.VERBEET.	04FEB1988	STE TE Connectivity	
DIMENSIONS: mm		CHK R.VERSTIJNEN	05FEB1988		
TOLERANCES UNLESS OTHERWISE SPECIFIED:		APVD L.V.SOEST	05FEB1988	NAME AMP-LATCH_MIL-TYPE RECEPTACLE_CONNECTOR ASSEMBLY_(SYMMETRIC_COVER)	
0 PLC ± - 1 PLC ± - 2 PLC ± - 3 PLC ± - 4 PLC ± - ANGLES ± -		PRODUCT SPEC	-	SIZE A3	CAGE CODE 00779
MATERIAL	FINISH	APPLICATION SPEC	-	DRAWING NO C-215911	RESTRICTED TO
-	-	WEIGHT	-	CUSTOMER DRAWING	
				SCALE	SHEET 2 OF 2
				REV	E