



Chipsmall Limited consists of a professional team with an average of over 10 year of expertise in the distribution of electronic components. Based in Hongkong, we have already established firm and mutual-benefit business relationships with customers from,Europe,America and south Asia,supplying obsolete and hard-to-find components to meet their specific needs.

With the principle of "Quality Parts,Customers Priority,Honest Operation,and Considerate Service",our business mainly focus on the distribution of electronic components. Line cards we deal with include Microchip,ALPS,ROHM,Xilinx,Pulse,ON,Everlight and Freescale. Main products comprise IC,Modules,Potentiometer,IC Socket,Relay,Connector.Our parts cover such applications as commercial,industrial, and automotives areas.

We are looking forward to setting up business relationship with you and hope to provide you with the best service and solution. Let us make a better world for our industry!



Contact us

Tel: +86-755-8981 8866 Fax: +86-755-8427 6832

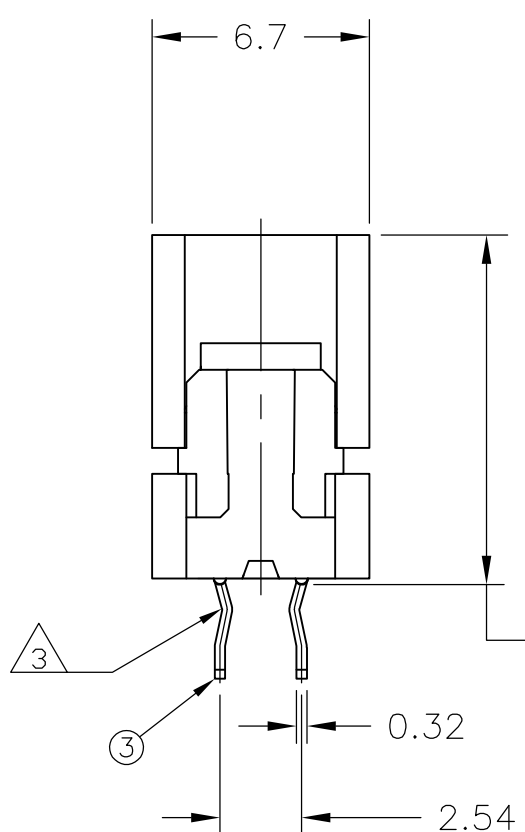
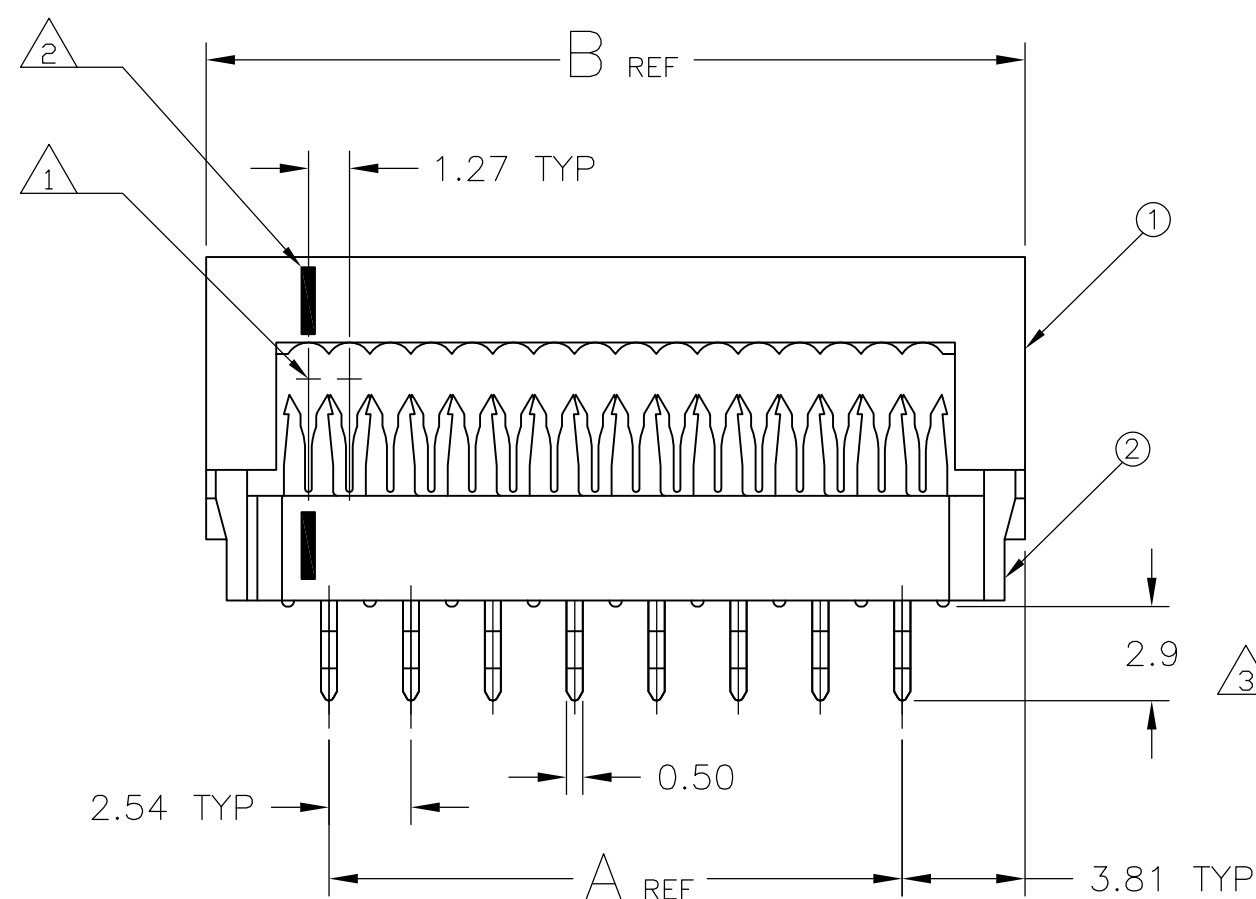
Email & Skype: info@chipsmall.com Web: www.chipsmall.com

Address: A1208, Overseas Decoration Building, #122 Zhenhua RD., Futian, Shenzhen, China



THIS DRAWING IS UNPUBLISHED. RELEASED FOR PUBLICATION
 © COPYRIGHT - By - ALL RIGHTS RESERVED.

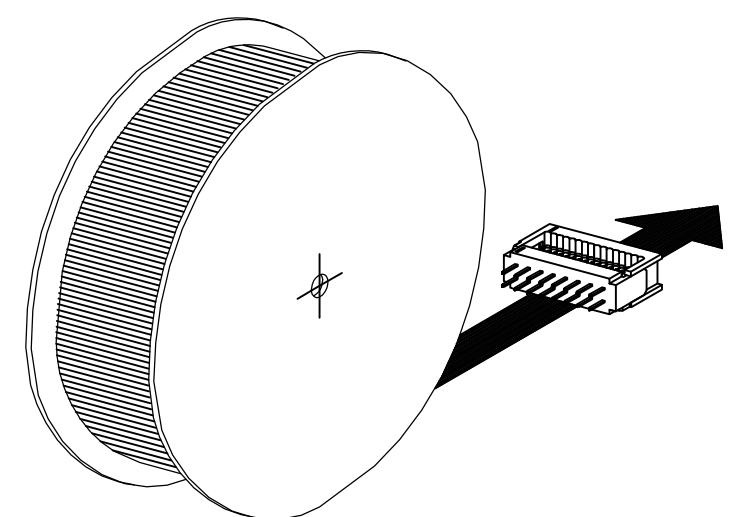
LOC	DIST	REVISIONS					
GP	00	P	LTR	DESCRIPTION	DATE	DWN	APVD
			C3	REDRAWN PER ECO-11-017642	06JAN2012	CJV	CWR



- ① CONNECTOR IS DESIGNED FOR FLAT RIBBON CABLE ON 1.27 CENTERS. FOR CABLE REQUIREMENTS SEE APPLICATION SPECIFICATION 114-19022.
- ② INDICATION OF FIRST CABLE POSITION REFERRING TO CORRESPONDING CONTACT POSITION (BLACK INK MARKS)
- ③ SOLDER-TINES FOR 0.8±0.05 DIAMETER HOLES.
- ④ 3.0-5.1µm TIN WITH ENTIRE NICKEL UNDERCOATING.

CONNECTOR HEIGHT AFTER CABLE TERMINATION ①

1000	86.36	78.74	64	6-216792-4	
1000	81.28	73.66	60	6-216792-0	
1000	68.58	60.96	50	5-216792-0	
1500	60.96	53.34	44	4-216792-4	
1500	55.88	48.26	40	4-216792-0	
1500	48.26	40.64	34	3-216792-4	
1500	38.10	30.48	26	2-216792-6	
1500	30.48	22.86	20	2-216792-0	
1500	25.40	17.78	16	1-216792-6	
1500	22.86	15.24	14	1-216792-4	
1500	17.78	10.16	10	1-216792-0	
OBSELETE	1500	12.70	5.08	6	216792-6
QUANTITY PER REEL	B	A	NO. OF DUAL POS.	PART NUMBER	



④	MATERIAL	DESCRIPTION	ITEM NO.
	PHOSPHOR BRONZE	CONTACTS	3
GREY	THERMOPLASTIC POLYESTER	HOUSING AND COVER	2
GREY	THERMOPLASTIC POLYESTER	HOUSING	1

THIS DRAWING IS A CONTROLLED DOCUMENT.

DWN	C. VALENTINE	06JAN2012
CHK	C. ROHDE	06JAN2012
APVD	C. ROHDE	06JAN2012
PRODUCT SPEC	108-19033	
APPLICATION SPEC	-	
WEIGHT	-	

STE TE Connectivity

AMP LATCH 2.54 DIL-PLUG CONNECTOR, W/ RETENTION FEATURE, TAPE MOUNTED ON REEL

SIZE	CAGE CODE	DRAWING NO	RESTRICTED TO
A3	00779	C-216792	-

CUSTOMER DRAWING SCALE NTS SHEET 1 OF 2 REV C3

THIS DRAWING IS UNPUBLISHED.

RELEASED FOR PUBLICATION

-. -. .

LOC

DIST

REVISIONS

© COPYRIGHT - By -

ALL RIGHTS RESERVED.

GP

00

P

LTR

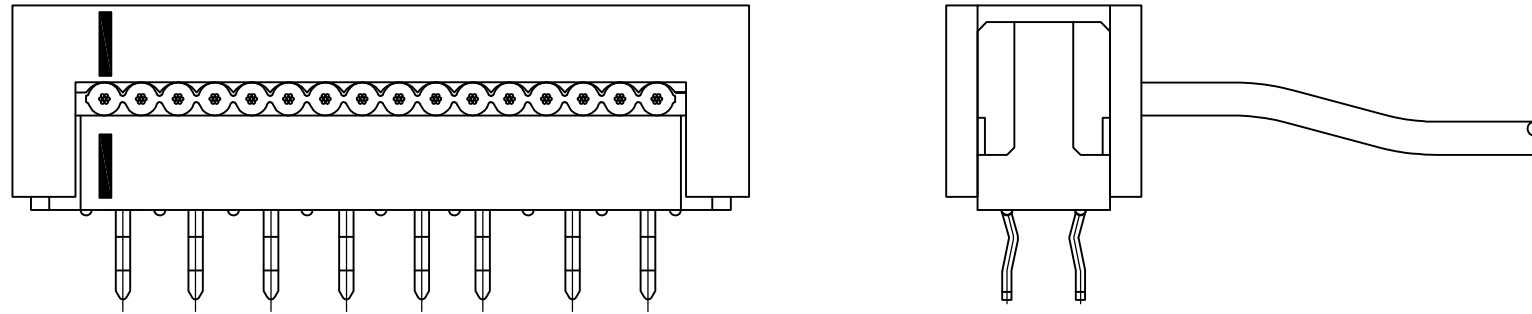
DESCRIPTION

DATE

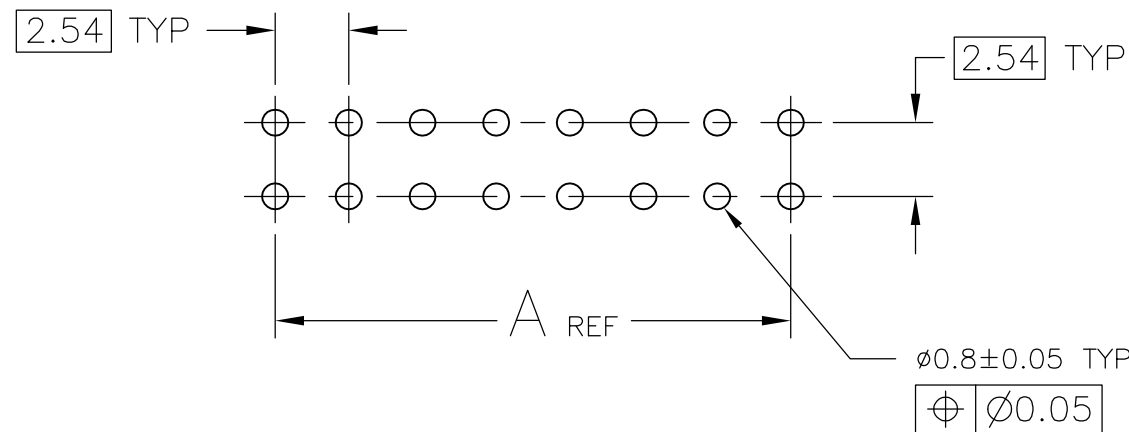
DWN

APVD

SEE SHEET 1



RECOMMENDED PCB-HOLE PATTERN



THIS DRAWING IS A CONTROLLED DOCUMENT.

DWN C. VALENTINE 06JAN2012

CHK C. ROHDE 06JAN2012

APVD C. ROHDE 06JAN2012

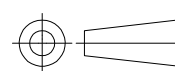


DIMENSIONS:

mm

TOLERANCES UNLESS OTHERWISE SPECIFIED:

- 0 PLC ± -
- 1 PLC ± -
- 2 PLC ± -
- 3 PLC ± -
- 4 PLC ± -
- ANGLES ± -



MATERIAL

FINISH

PRODUCT SPEC

108-19033

APPLICATION SPEC

WEIGHT

-

NAME AMP LATCH 2.54 DIL-PLUG CONNECTOR, W/ RETENTION FEATURE, TAPE MOUNTED ON REEL

SIZE CAGE CODE DRAWING NO RESTRICTED TO

A3 00779 C-216792

CUSTOMER DRAWING

SCALE NTS

SHEET 2 OF 2

REV C3