



Chipsmall Limited consists of a professional team with an average of over 10 year of expertise in the distribution of electronic components. Based in Hongkong, we have already established firm and mutual-benefit business relationships with customers from,Europe,America and south Asia,supplying obsolete and hard-to-find components to meet their specific needs.

With the principle of “Quality Parts,Customers Priority,Honest Operation,and Considerate Service”,our business mainly focus on the distribution of electronic components. Line cards we deal with include Microchip,ALPS,ROHM,Xilinx,Pulse,ON,Everlight and Freescale. Main products comprise IC,Modules,Potentiometer,IC Socket,Relay,Connector.Our parts cover such applications as commercial,industrial, and automotives areas.

We are looking forward to setting up business relationship with you and hope to provide you with the best service and solution. Let us make a better world for our industry!



Contact us

Tel: +86-755-8981 8866 Fax: +86-755-8427 6832

Email & Skype: info@chipsmall.com Web: www.chipsmall.com

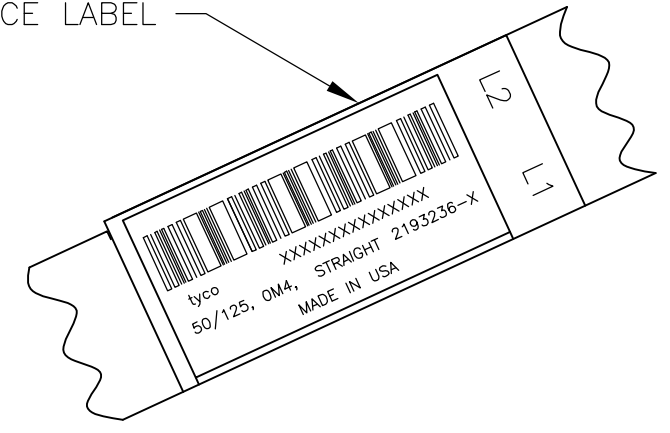
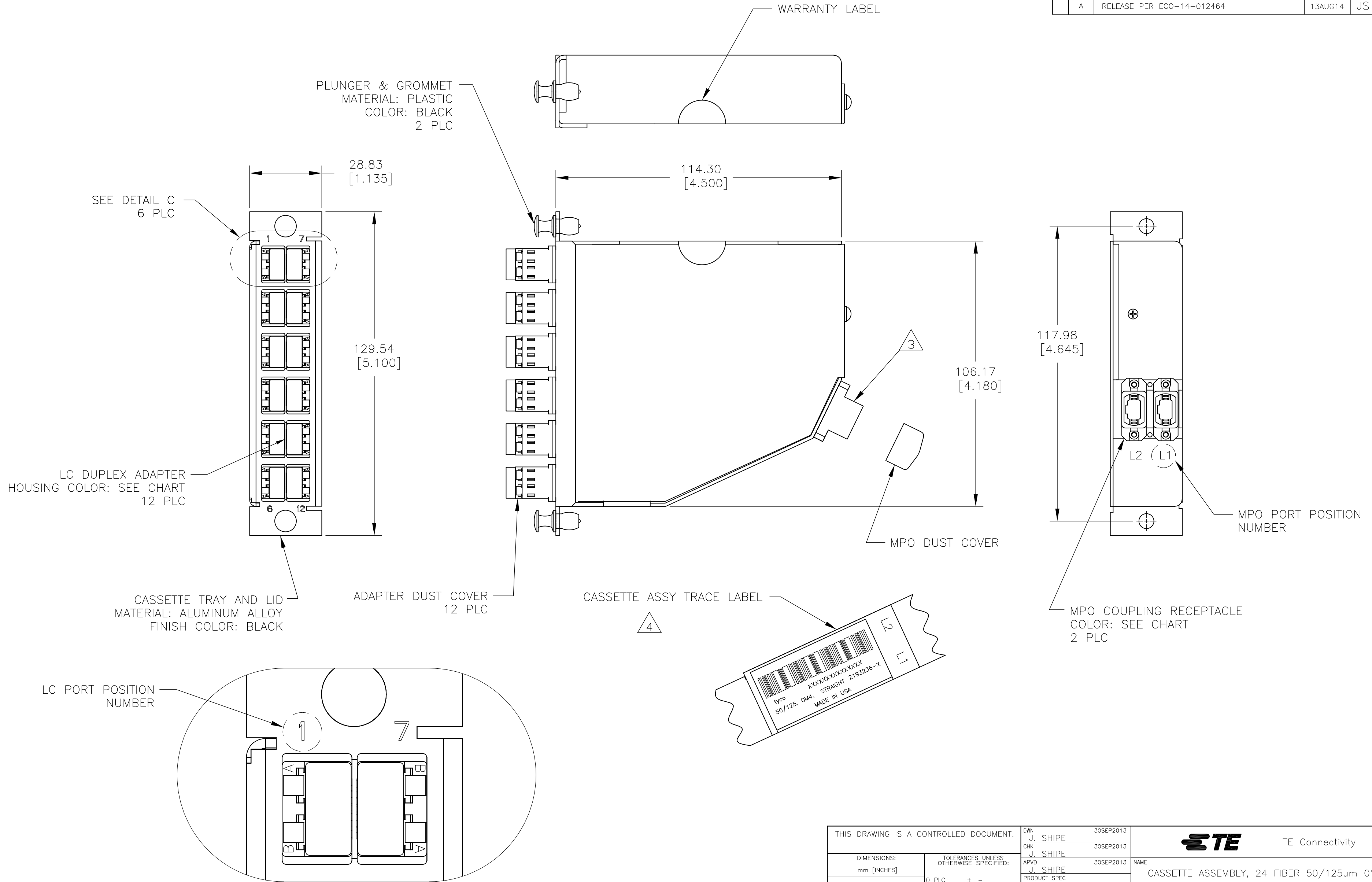
Address: A1208, Overseas Decoration Building, #122 Zhenhua RD., Futian, Shenzhen, China



LOC	DIST	REVISIONS					
HP	00	P	LTR	DESCRIPTION	DATE	DWN	APVD
		A		RELEASE PER ECO-14-012464	13AUG14	JS	JS

D
C
B
A

D
C
B
A



THIS DRAWING IS A CONTROLLED DOCUMENT.		DWN J. SHIPE 30SEP2013	STE TE Connectivity
DIMENSIONS: mm [INCHES]		CHK J. SHIPE 30SEP2013	
TOLERANCES UNLESS OTHERWISE SPECIFIED:		APVD J. SHIPE 30SEP2013	NAME CASSETTE ASSEMBLY, 24 FIBER 50/125um OM4 MPO - LC STRAIGHT THRU
0 PLC ± -	1 PLC ± -	PRODUCT SPEC	SIZE A2
2 PLC ± -	3 PLC ± -	APPLICATION SPEC	CAGE CODE 00779
4 PLC ± -	ANGLES ± -	WEIGHT	DRAWING NO 2193236
MATERIAL	FINISH	CUSTOMER DRAWING	RESTRICTED TO
		SCALE NTS	SHEET 1 of 2
		REV A	

2193236

THIS DRAWING IS UNPUBLISHED. RELEASED FOR PUBLICATION
 © COPYRIGHT - By - ALL RIGHTS RESERVED.


LOC		DIST		REVISIONS			
P	LTR	DESCRIPTION		DATE	DWN	APVD	
		SEE SHEET 1					

- MAXIMUM CABLE ASSEMBLY INSERTION LOSS IS 0.75dB WHEN TESTED AT 850nm OR 1300nm.
- MINIMUM CABLE ASSEMBLY RETURN LOSS IS 23dB WHEN TESTED AT 850nm OR 1300nm.
- WHITE MARKING ON MPO TO BE FACING TOWARD TOP OF CONNECTOR MODULE. WHITE MARK INDICATES FIBER 1 SIDE
- SEE TRACE LABEL DETAIL
- A COPY OF CASSETTE ASSEMBLY LOSS TEST DATA WILL BE PLACED INSIDE OR WITH THE UNIT PACKAGE. CASSETTES WILL BE TESTED AT 850nm WAVELENGTH.
- PRODUCT AND PROCESSING MUST MEET REQUIREMENTS OF TE STANDARD TEC-138-702

L1 FIBER PATH STRAIGHT THRU		
LC/PC PORTS		MPO
INSIDE	OUTSIDE	
1A	1B	1
1B	1A	2
2A	2B	3
2B	2A	4
3A	3B	5
3B	3A	6
4A	4B	7
4B	4A	8
5A	5B	9
5B	5A	10
6A	6B	11
6B	6A	12

L2 FIBER PATH STRAIGHT THRU		
LC/PC PORTS		MPO
INSIDE	OUTSIDE	
7A	7B	1
7B	7A	2
8A	8B	3
8B	8A	4
9A	9B	5
9B	9A	6
10A	10B	7
10B	10A	8
11A	11B	9
11B	11A	10
12A	12B	11
12B	12A	12

PER SPECIFICATION 107-1645-1

TE BAR CODE {  }

XXXXXXXXXXXXXXXXXXXXX } TE TRACE # - HUMAN READABLE


STE 50/125, OM4, STRAIGHT X-XXXXXXX-X } TE PART NO.

MADE IN XXXX

COUNTRY OF ORIGIN

4 TRACE LABEL DETAIL

AQUA SECURE	AQUA SECURE	1-2193236-1
SLATE SECURE	SLATE SECURE	1-2193236-0
ROSE SECURE	ROSE SECURE	2193236-9
VIOLET SECURE	VIOLET SECURE	2193236-8
BROWN SECURE	BROWN SECURE	2193236-7
ORANGE SECURE	ORANGE SECURE	2193236-6
YELLOW SECURE	YELLOW SECURE	2193236-5
BLUE SECURE	BLUE SECURE	2193236-4
GREEN SECURE	GREEN SECURE	2193236-3
RED SECURE	RED SECURE	2193236-2
BLACK STANDARD	AQUA STANDARD	2193236-1
MPO COUPLING BUSHING COLOR & TYPE	LC ADAPTER COLOR & TYPE	PART NUMBER

THIS DRAWING IS A CONTROLLED DOCUMENT.		DWN J. SHIPE 30SEP2013	 TE Connectivity	
DIMENSIONS: mm [INCHES]		CHK J. SHIPE 30SEP2013		
TOLERANCES UNLESS OTHERWISE SPECIFIED:		APVD J. SHIPE 30SEP2013	NAME CASSETTE ASSEMBLY, 24 FIBER 50/125um OM4 MPO - LC STRAIGHT THRU	
0 PLC ± -		PRODUCT SPEC	SIZE A2 CAGE CODE 00779 DRAWING NO C-2193236 RESTRICTED TO -	
1 PLC ± -		APPLICATION SPEC	SCALE NTS SHEET 2 OF 2 REV A	
2 PLC ± -		WEIGHT -	CUSTOMER DRAWING	
3 PLC ± -				
4 PLC ± -				
ANGLES ± -				
FINISH -				