



Chipsmall Limited consists of a professional team with an average of over 10 year of expertise in the distribution of electronic components. Based in Hongkong, we have already established firm and mutual-benefit business relationships with customers from,Europe,America and south Asia,supplying obsolete and hard-to-find components to meet their specific needs.

With the principle of “Quality Parts,Customers Priority,Honest Operation,and Considerate Service”,our business mainly focus on the distribution of electronic components. Line cards we deal with include Microchip,ALPS,ROHM,Xilinx,Pulse,ON,Everlight and Freescale. Main products comprise IC,Modules,Potentiometer,IC Socket,Relay,Connector.Our parts cover such applications as commercial,industrial, and automotives areas.

We are looking forward to setting up business relationship with you and hope to provide you with the best service and solution. Let us make a better world for our industry!



Contact us

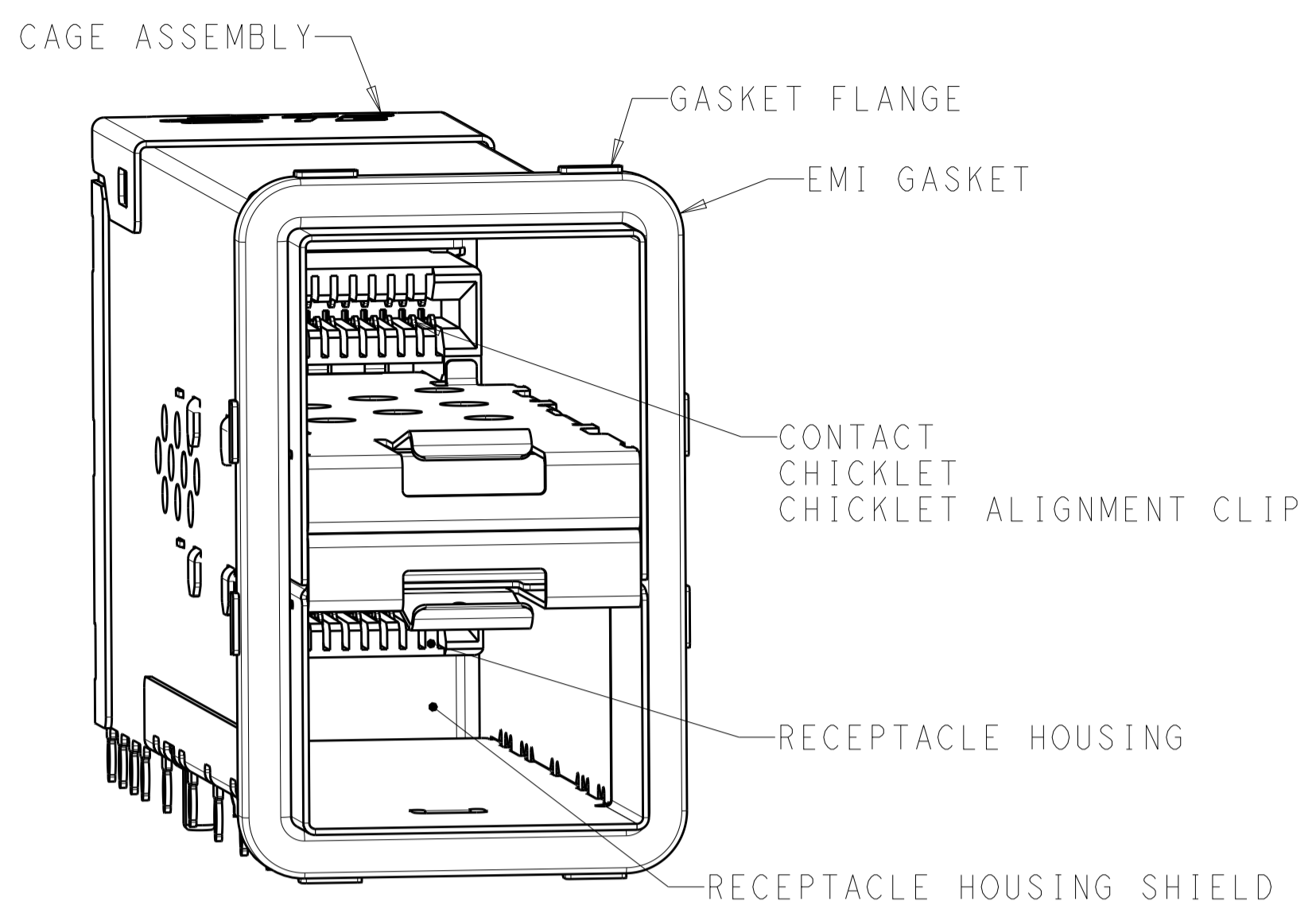
Tel: +86-755-8981 8866 Fax: +86-755-8427 6832

Email & Skype: info@chipsmall.com Web: www.chipsmall.com

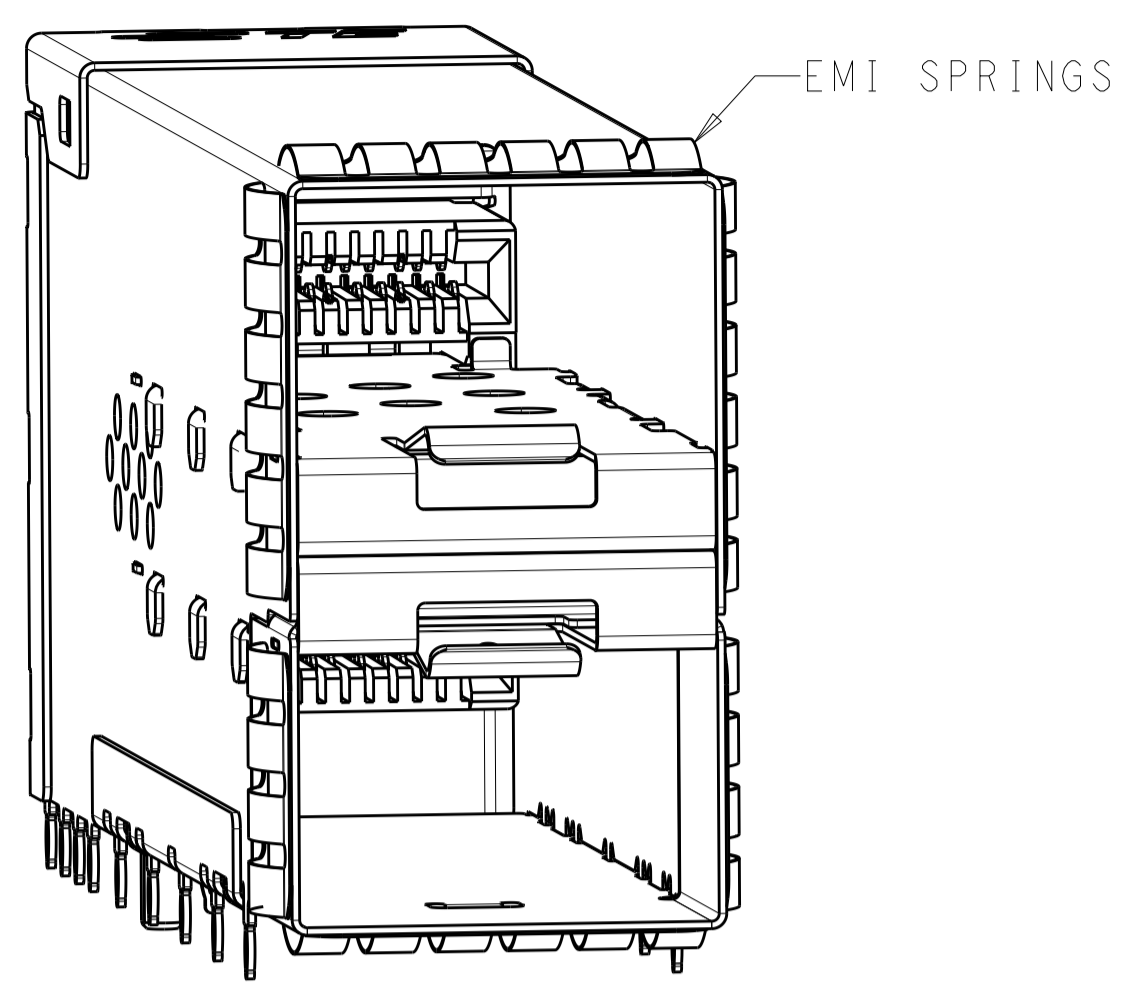
Address: A1208, Overseas Decoration Building, #122 Zhenhua RD., Futian, Shenzhen, China



LOC	DIST	REVISIONS					
GP	00	P	LTN	DESCRIPTION	DATE	DWN	APVD
		A		RELEASED PER ECO-14-008758	13JUN2014	CJV	PAR
		B		REVISED PER ECO-15-010819	10AUG2015	PP	SH



2198318-1
SCALE 4:1



2198318-5
SCALE 4:1

- MATERIALS:
 CAGE ASSEMBLY - NICKEL-SILVER ALLOY PER ASTM B 122
 CONNECTOR HOUSING - LCP, BLACK, UL 94V-0 RATED
 CONNECTOR HOUSING SHIELD - COPPER ALLOY
 CHICKLET - LCP, BLACK, UL 94V-0 RATED
 CHICKLET ALIGNMENT CLIP - PBT
 CONTACT - COPPER ALLOY
 EMI GASKET - ELASTOMERIC
 GASKET FLANGE - STAINLESS STEEL
 EMI SPRINGS - PHOSPHOR BRONZE PER ASTM B 103,
 0.8µm MIN TIN PER ASTM B 545
 LIGHT PIPE - POLYCARBONATE
 LIGHT PIPE HOUSING - ZINC ALLOY

- CONTACT FINISH:
 CONFORMS TO THE REQUIREMENTS OF PRODUCT SPECIFICATION 108-2481, BASED ON EIA/ECA-364-1000.01A, (CONTROLLED ENVIRONMENT APPLICATIONS) ON MATING INTERFACE, TIN ON NEEDLE EYE

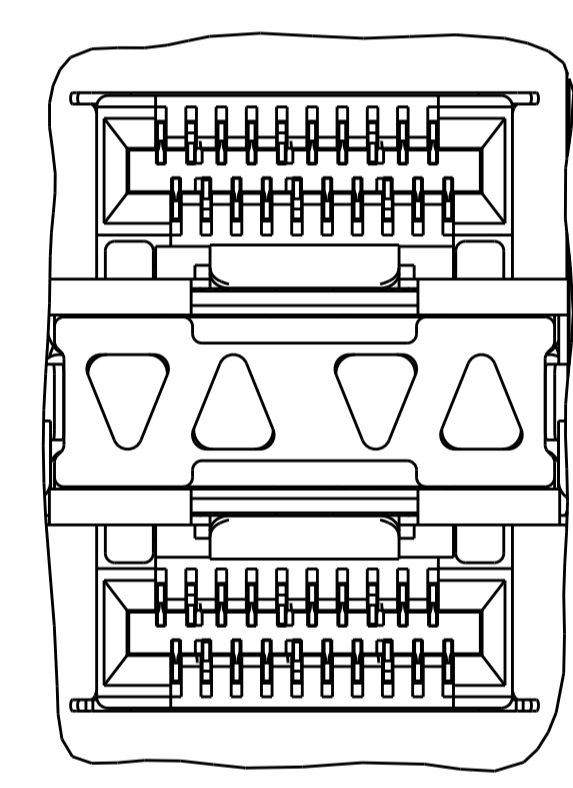
- PCB MINIMUM THICKNESS = 1.5mm

- 4 FOR HOLE SIZE AND PLATINGS, SEE APPLICATION SPECIFICATION 114-13319

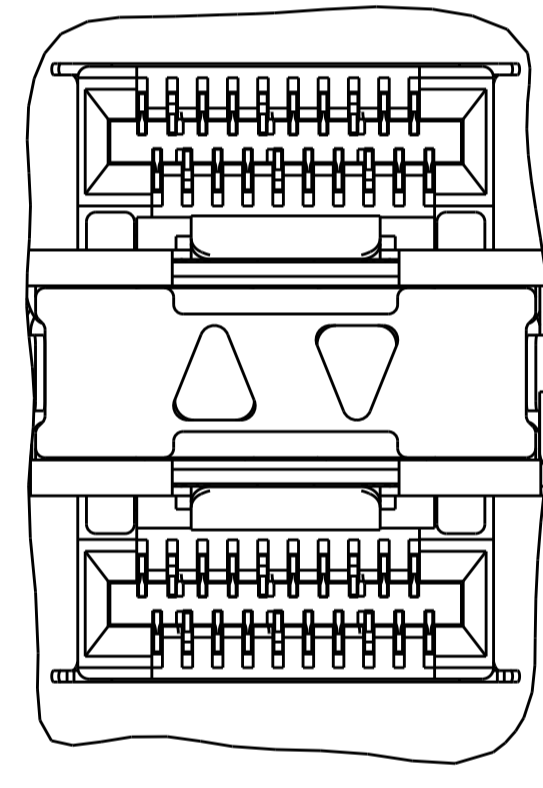
- 5 LIGHT PIPE PAD LAYOUT IS FOR 0805 LOW PROFILE LED PACKAGE WITH A HEIGHT OF 0.8mm

- 6 DIMENSIONS APPLY FOR EMI SPRINGS ONLY

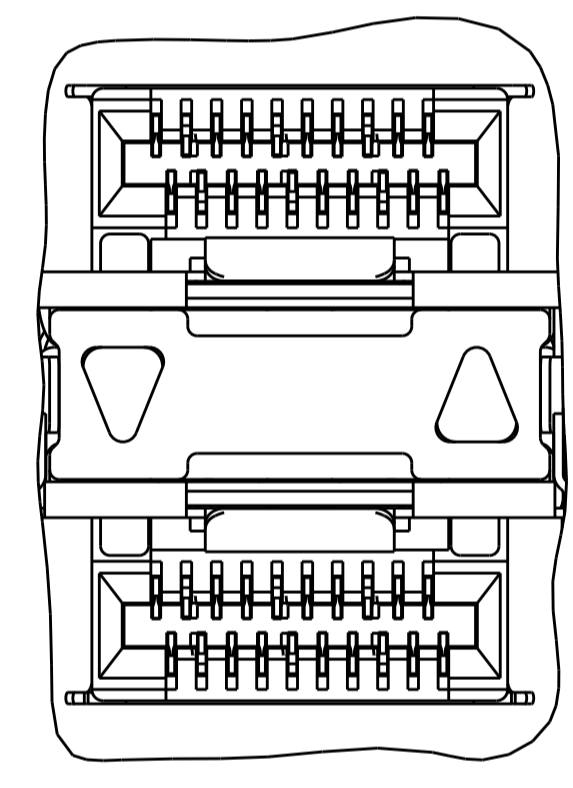
- 7 THE ENTIRE AREA OF THE CONNECTOR FOOTPRINT, INDICATED BY THE DASHED LINE, TO BE CONSIDERED THE KEEPOUT AREA FOR COMPONENTS AND SIGNAL TRACES, TOP SIDE ONLY, TOP SIDE TRACES ALLOWED WITHIN CONNECTOR HOLE PATTERN



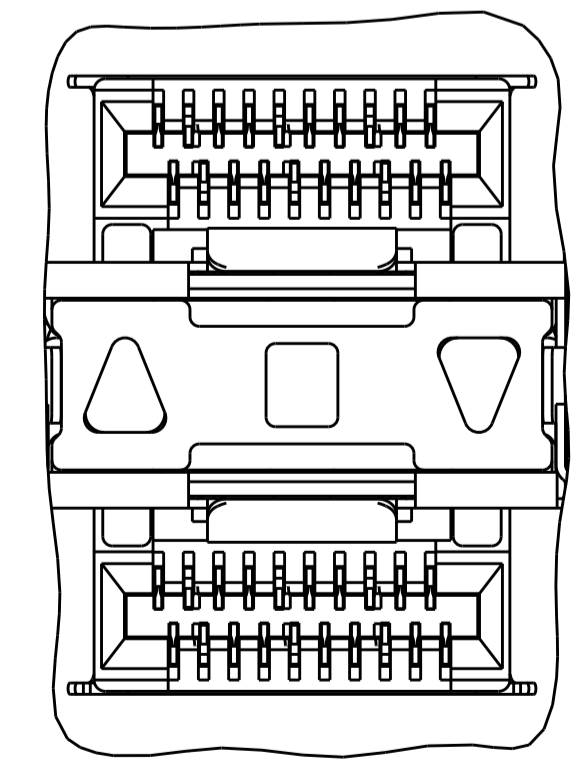
INNER/OUTER LIGHT PIPES
2198318-2, 2198318-6
SCALE 5:1



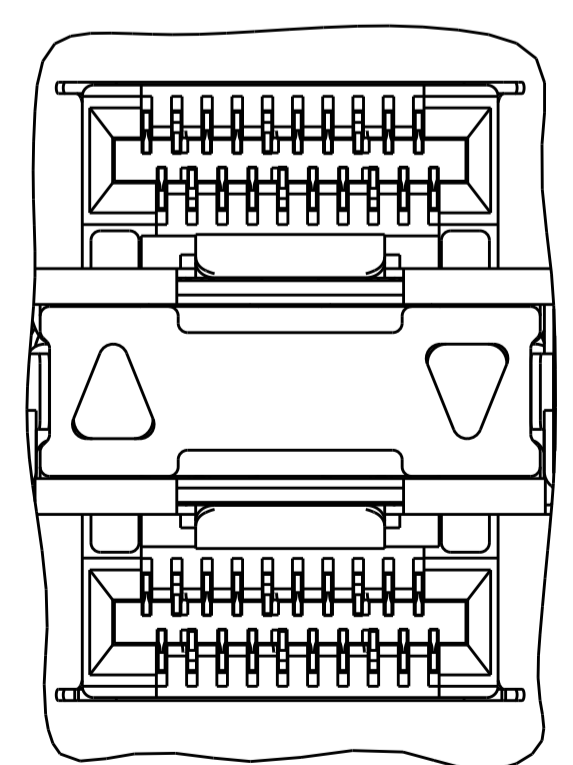
INNER LIGHT PIPES
2198318-3, 2198318-7
SCALE 5:1



OUTER LIGHT PIPES
2198318-4, 2198318-8
SCALE 5:1



CENTER/REVERSED OUTER LIGHT PIPES
1-2198318-7, 1-2198318-9
SCALE 5:1



REVERSED OUTER LIGHT PIPES
1-2198318-8, 2-2198318-0
SCALE 5:1

16.75	EMI SPRINGS	REVERSED OUTER	2-2198318-0
		CENTER/REVERSED OUTER	1-2198318-9
19.5	EMI GASKET	REVERSED OUTER	1-2198318-8
		CENTER/REVERSED OUTER	1-2198318-7
16.75	EMI SPRINGS	OUTER	2198318-8
		INNER	2198318-7
		INNER/OUTER	2198318-6
		NONE	2198318-5
19.5	EMI GASKET	OUTER	2198318-4
		INNER	2198318-3
		INNER/OUTER	2198318-2
		NONE	2198318-1
(E)	CAGE TYPE	LIGHT PIPE CONFIGURATION	PART NUMBER

THIS DRAWING IS A CONTROLLED DOCUMENT.

OWN: M. E. CONNER 18OCT2011
 CHG: M. D. MORRISON 18OCT2011
 APVD: M. D. MORRISON 18OCT2011

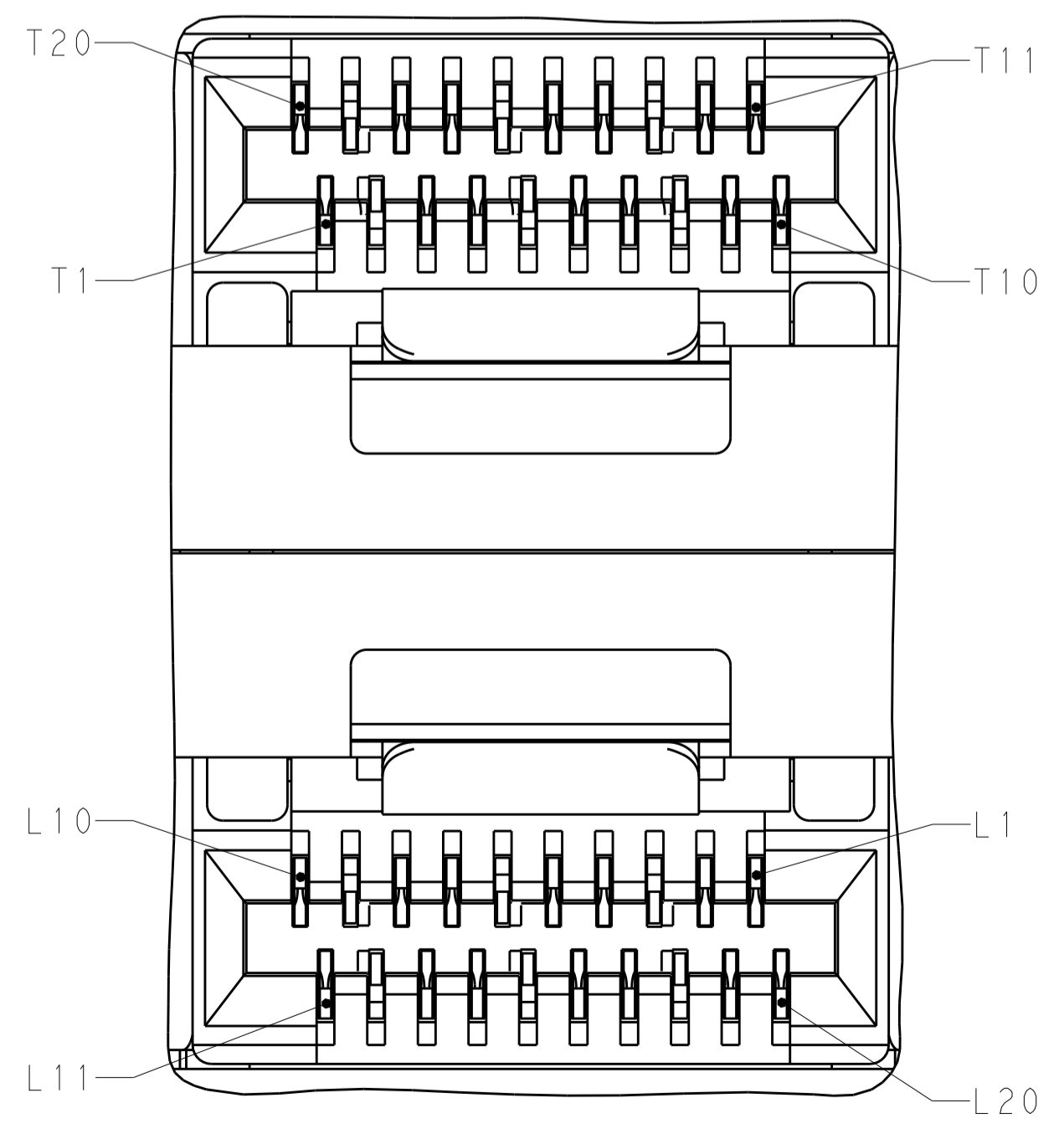
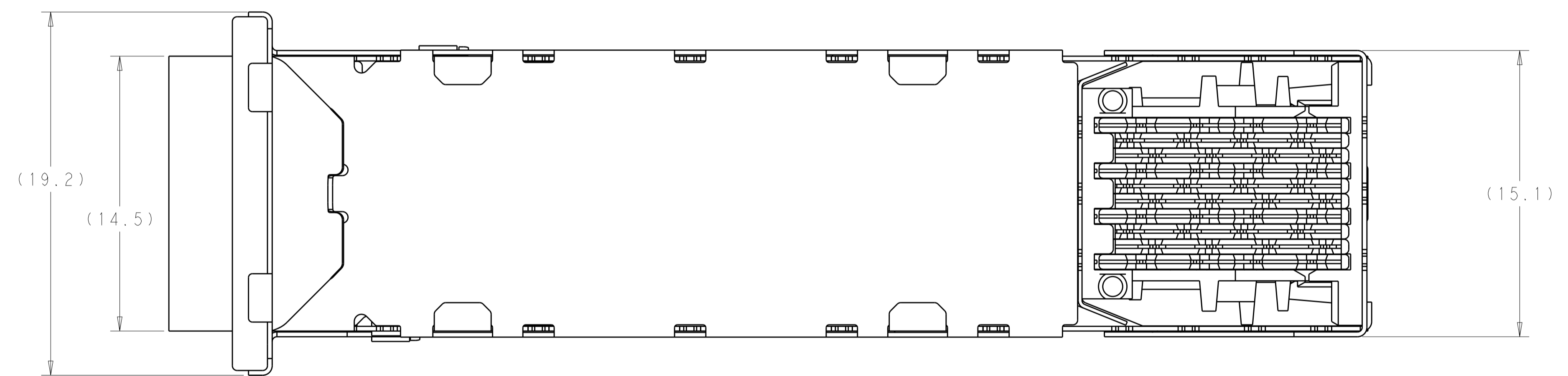
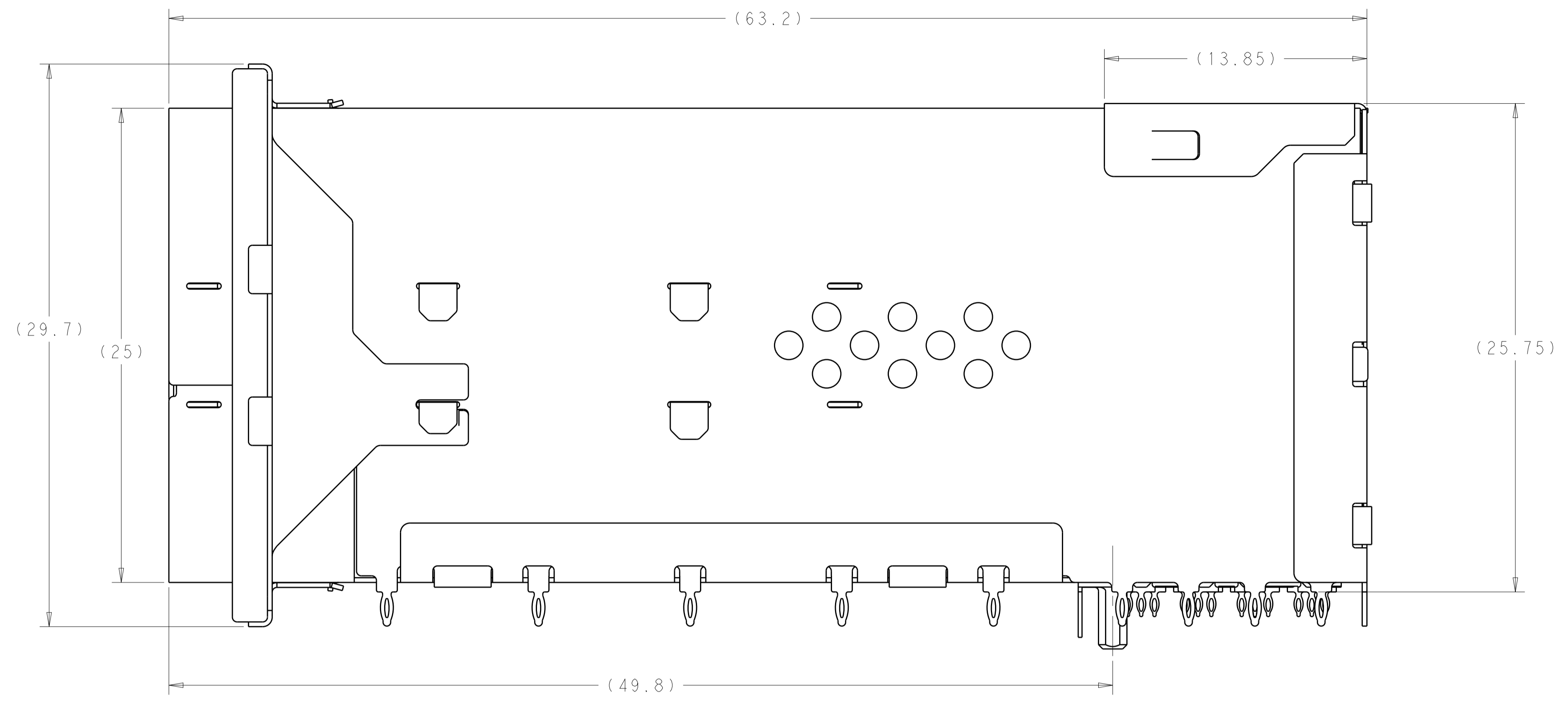
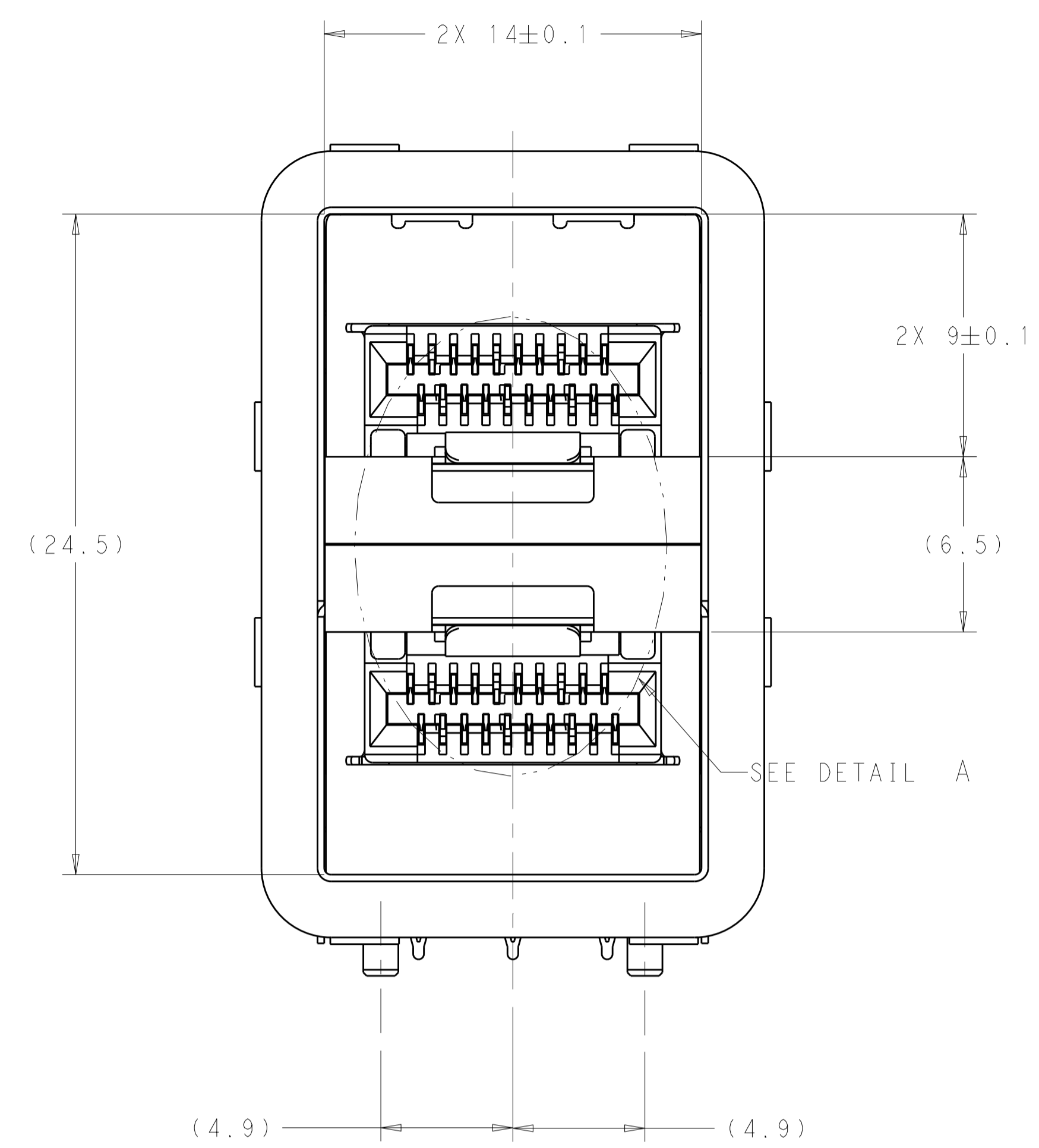
TE Connectivity

RECEPTACLE ASSEMBLY, 2X1, STACKED, zSFP+

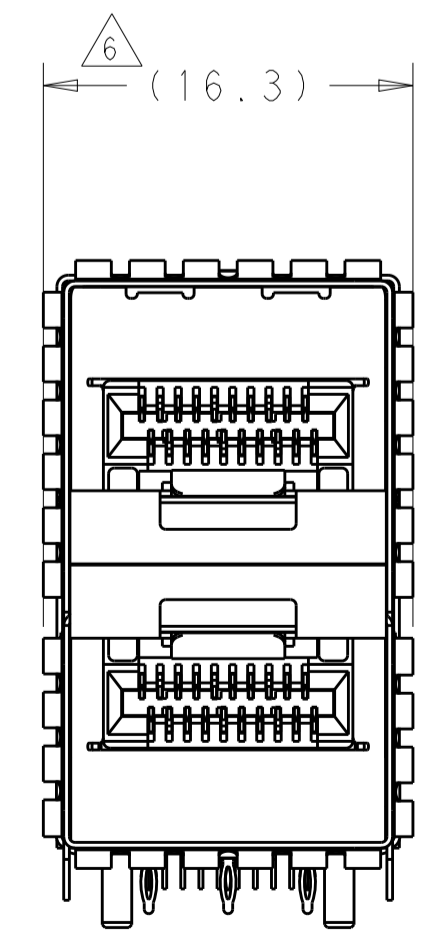
SIZE: CAGE CODE DRAWING NO: A100779C=2198318
 RESTRICTED TO: -

Customer Drawing SCALE 4:1 SHEET 1 OF 4 REV B

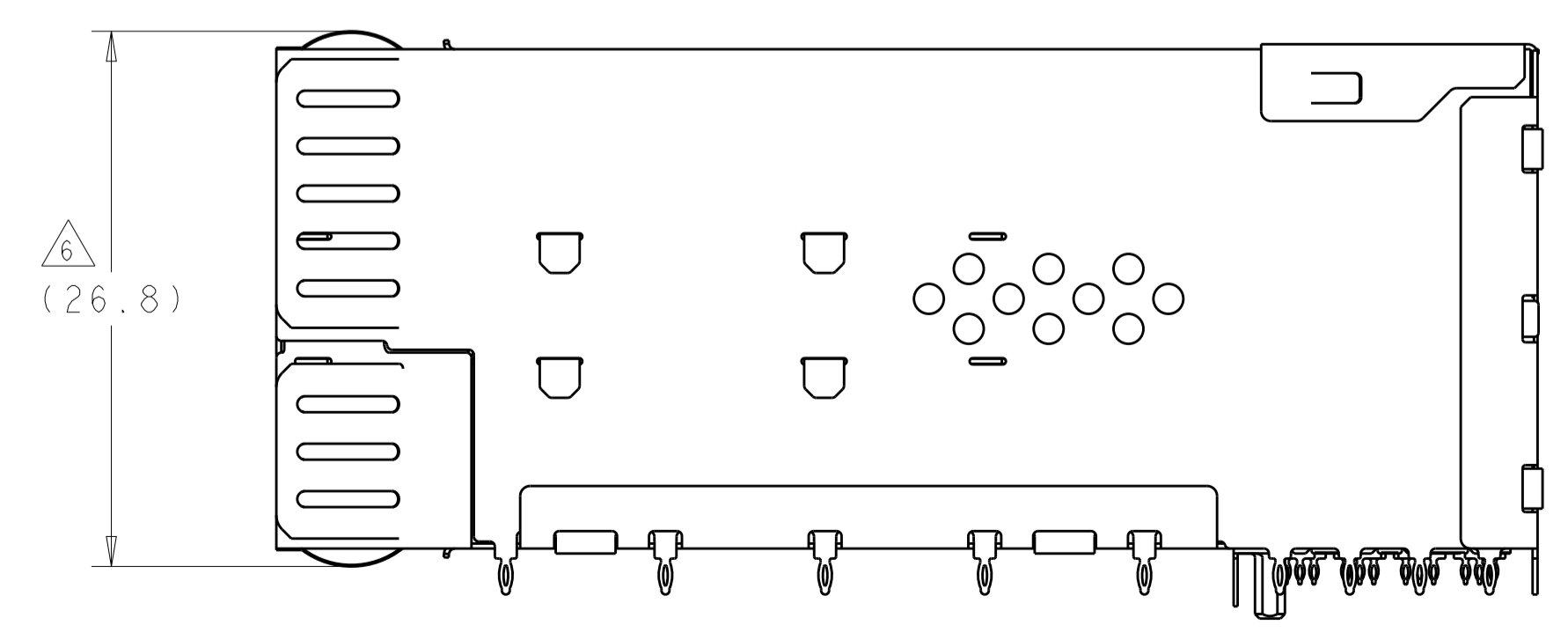
LOC	DIST	REVISIONS			
GP	00	REV	DATE	BY	APPV
-	-	SEE SHEET 1	-	-	-



DETAIL A
 2 PLACES
 SCALE 10:1



2198318-5 THRU 2198318-8, 1-2198318-9, 2-2198318-0
 EMI SPRINGS ONLY
 SCALE 3:1



THIS DRAWING IS A CONTROLLED DOCUMENT.		OWN: M.E. CONNER 17OCT2011	TE Connectivity
DIMENSIONS: mm		CHK: M.D. MORRISON 18OCT2011	
TOLERANCES UNLESS OTHERWISE SPECIFIED:		APV: M.D. MORRISON 18OCT2011	NAME: RECEPTACLE ASSEMBLY, 2X1, STACKED, zSFP+
0 PLC ± 1 PLC ± 2 PLC ± 3 PLC ± 4 PLC ± ANGLES ±		PRODUCT SPEC: 108-2481	SIZE: A100779
MATERIAL: SEE NOTES		APPLICATION SPEC: 114-13319	CAGE CODE: 2198318
FINISH: SEE NOTES		WEIGHT: -	RESTRICTED TO: -
		Customer Drawing	SCALE: 6:1 SHEET 2 OF 4 REV B

LOC	DIST	REVISIONS					
GP	00	P	LTH	DESCRIPTION	DATE	OWN	APVD
		-		SEE SHEET 1			

T19○ T16○ T13○
 T20○ T17○ T14○ T11○
 T18○ T15○ T12○

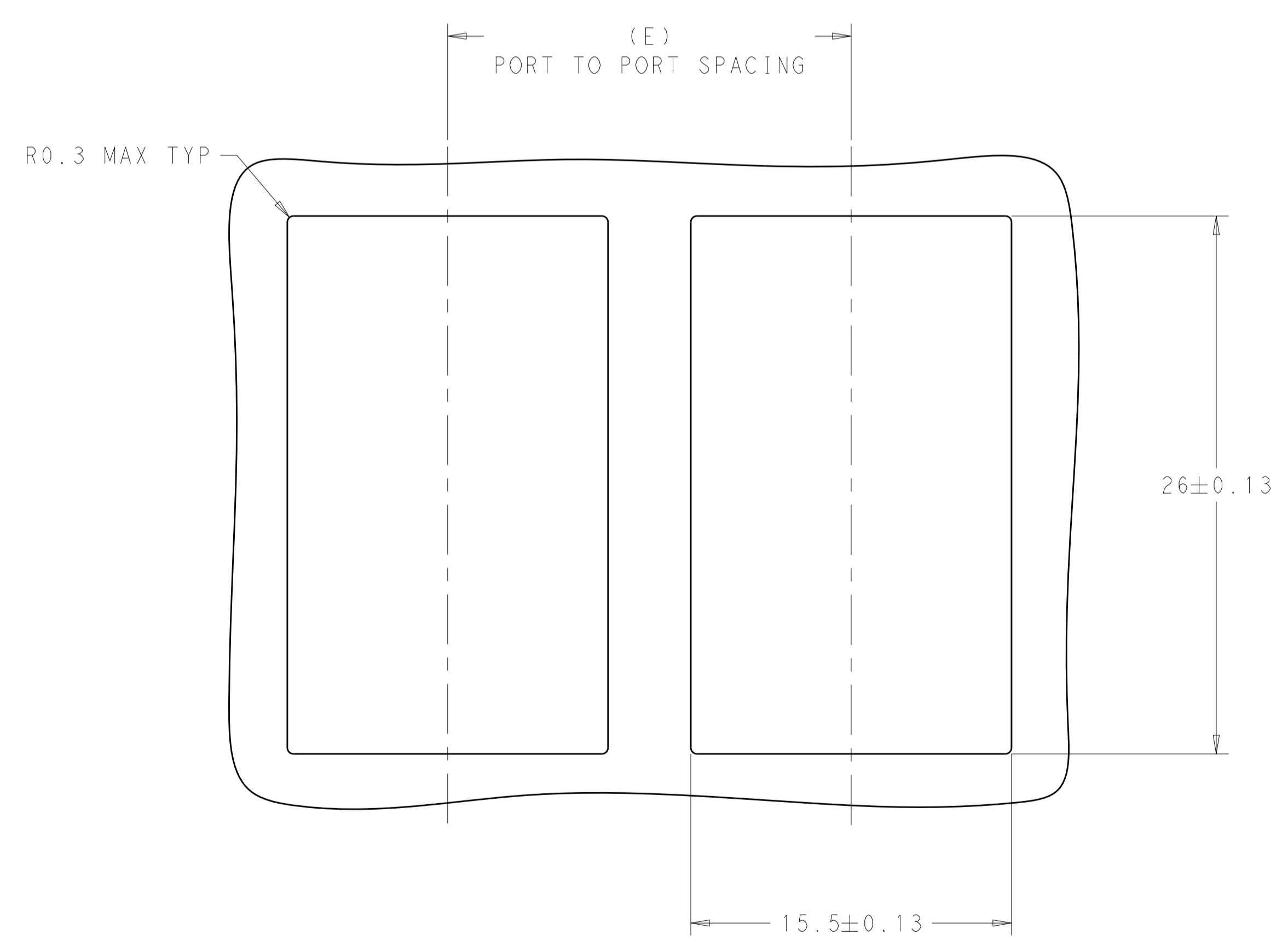
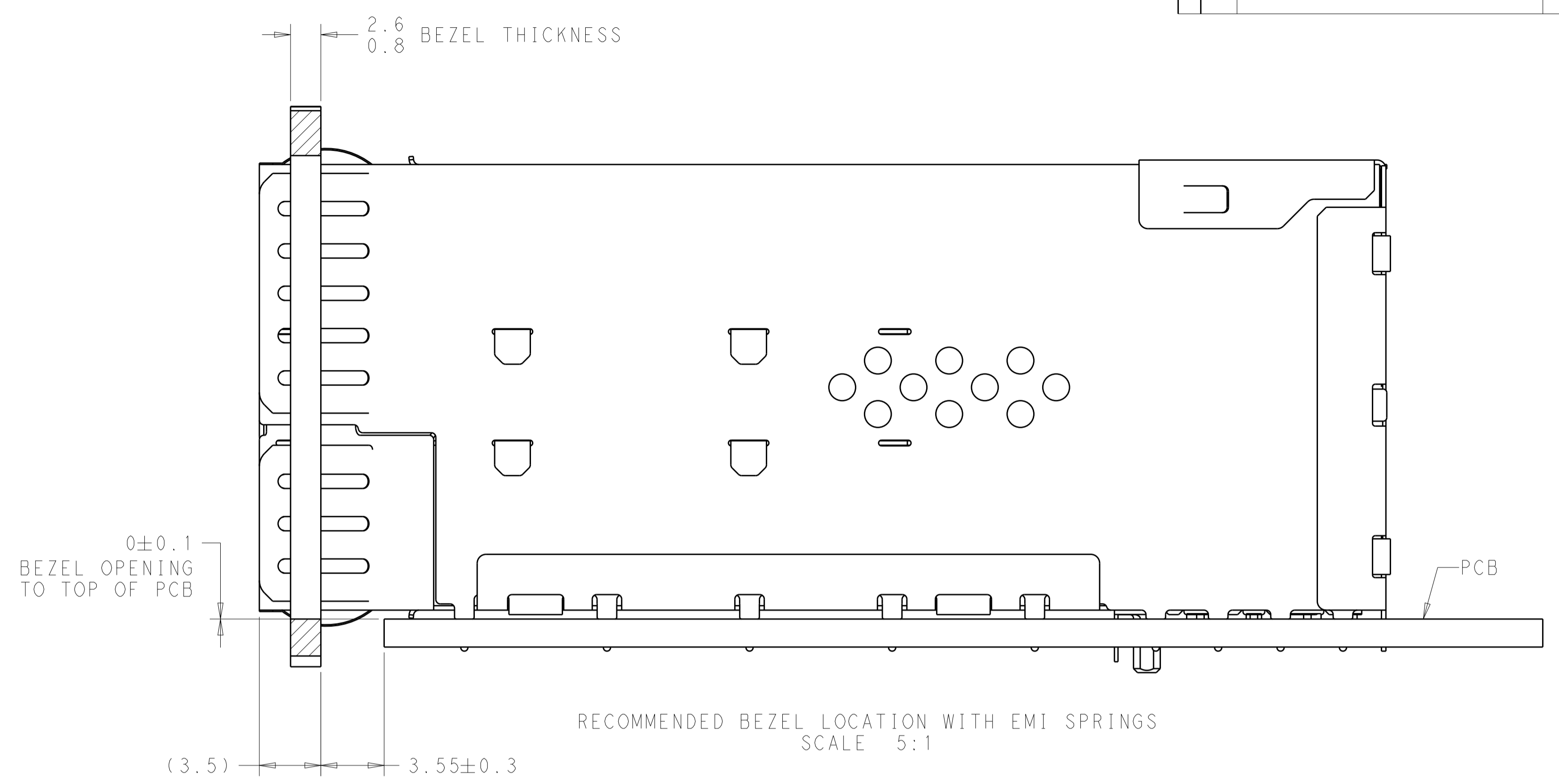
T2○ T5○ T8○
 T1○ T4○ T7○ T10○
 T3○ T6○ T9○

L9○ L6○ L3○
 L10○ L7○ L4○ L1○
 L8○ L5○ L2○

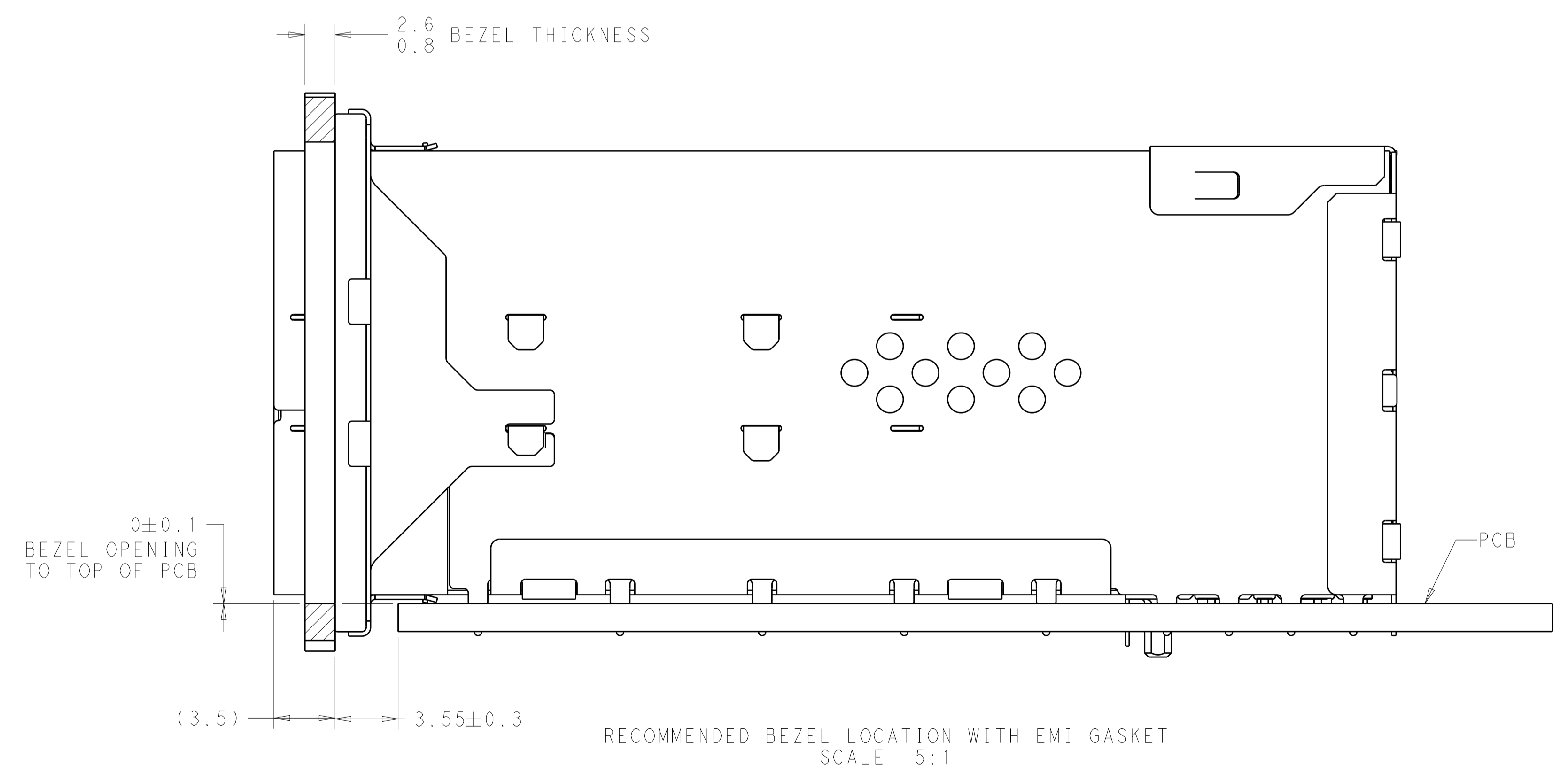
L12○ L15○ L18○
 L11○ L14○ L17○ L20○
 L13○ L16○ L19○

DETAIL D
 PIN MAP
 SCALE 15:1

PIN MAP LEGEND	
PIN NUMBER	FUNCTION
L1/T1	VEET
L2/T2	TX-FAULT
L3/T3	TX-DISABLE
L4/T4	SDA
L5/T5	SCL
L6/T6	MOD_ABS
L7/T7	RSO
L8/T8	RX_LOS
L9/T9	RS1
L10/T10	VEER
L11/T11	VEER
L12/T12	RD-
L13/T13	RD+
L14/T14	VEER
L15/T15	VCCR
L16/T16	VCCT
L17/T17	VEET
L18/T18	TD+
L19/T19	TD-
L20/T20	VEET



RECOMMENDED BEZEL CUT-OUT DETAIL
 SCALE 5:1



THIS DRAWING IS A CONTROLLED DOCUMENT.		OWN: M.E. CONNER 17OCT2011	TE Connectivity
DIMENSIONS: mm		CHK: M.D. MORRISON 18OCT2011	
TOLERANCES UNLESS OTHERWISE SPECIFIED:		APVD: M.D. MORRISON 18OCT2011	NAME: RECEPTACLE ASSEMBLY, 2X1, STACKED, zSFP+
0 PLC ±	1 PLC ±	PRODUCT SPEC	SIZE: CAGE CODE DRAWING NO
2 PLC ±	3 PLC ±	APPLICATION SPEC	RESTRICTED TO
4 PLC ±	ANGLES ±	114-13319	A100779C=2198318
MATERIAL: SEE NOTES	FINISH: SEE NOTES	WEIGHT: -	SCALE: 4:1 SHEET 4 OF 4 REV B
		Customer Drawing	