



Chipsmall Limited consists of a professional team with an average of over 10 year of expertise in the distribution of electronic components. Based in Hongkong, we have already established firm and mutual-benefit business relationships with customers from,Europe,America and south Asia,supplying obsolete and hard-to-find components to meet their specific needs.

With the principle of “Quality Parts,Customers Priority,Honest Operation,and Considerate Service”,our business mainly focus on the distribution of electronic components. Line cards we deal with include Microchip,ALPS,ROHM,Xilinx,Pulse,ON,Everlight and Freescale. Main products comprise IC,Modules,Potentiometer,IC Socket,Relay,Connector.Our parts cover such applications as commercial,industrial, and automotives areas.

We are looking forward to setting up business relationship with you and hope to provide you with the best service and solution. Let us make a better world for our industry!



## Contact us

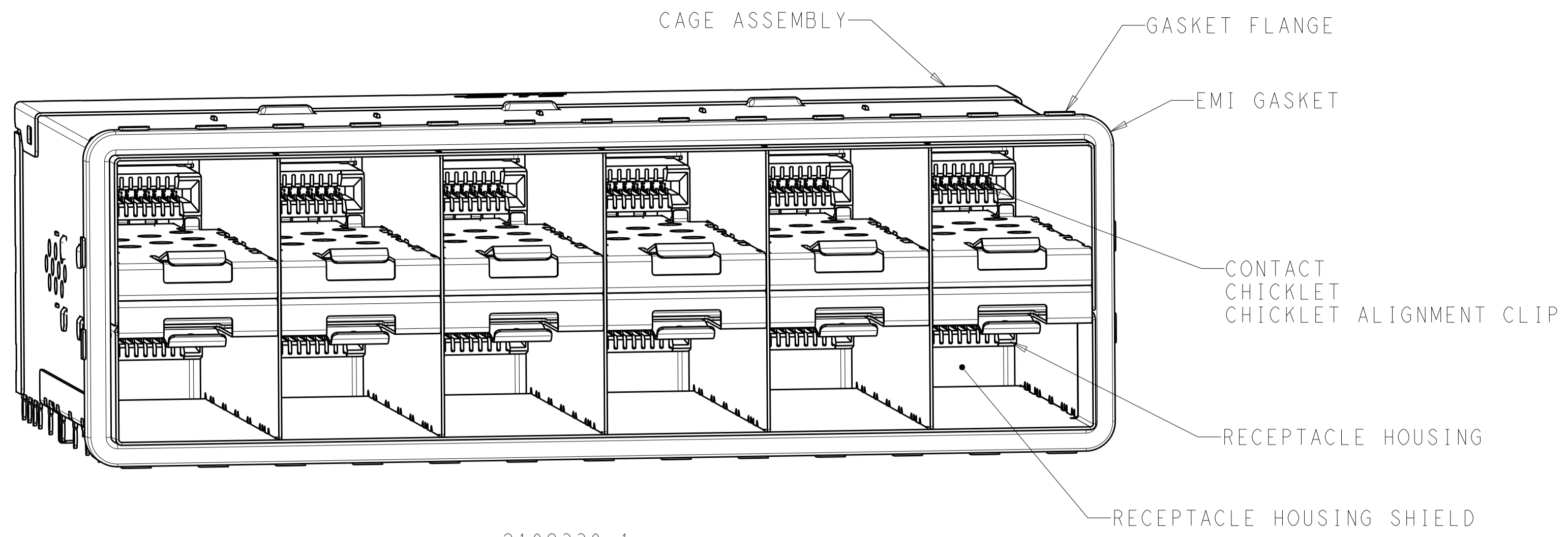
Tel: +86-755-8981 8866 Fax: +86-755-8427 6832

Email & Skype: info@chipsmall.com Web: www.chipsmall.com

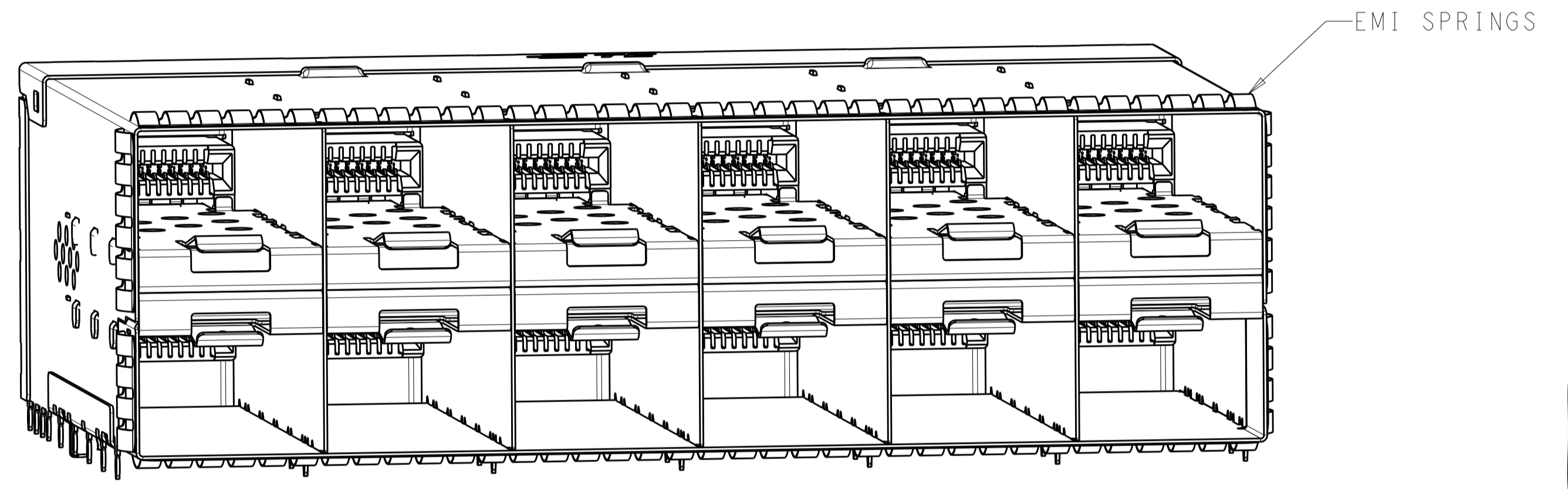
Address: A1208, Overseas Decoration Building, #122 Zhenhua RD., Futian, Shenzhen, China



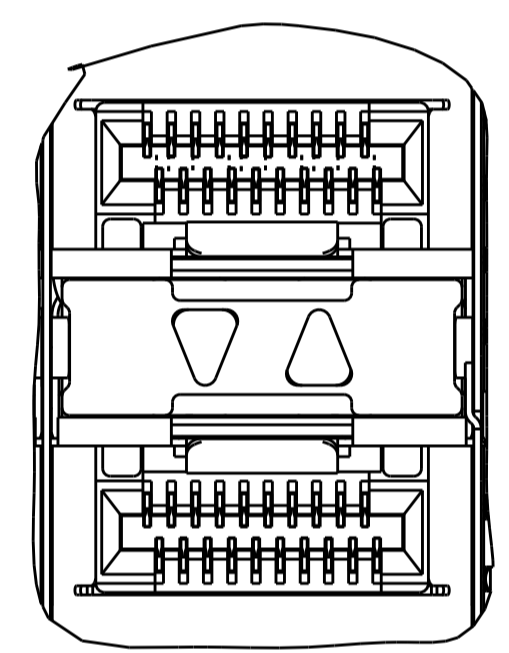
LOC		DIST		REVISIONS					
GP		00		P	LTN	DESCRIPTION	DATE	OWN	APVD
A						RELEASED PER ECO-14-008758	16JUN2014	CJV	PAR
B						REVISED PER ECO-15-010819	10AUG2015	PP	SH
B1						REVISED PER ECO-16-004263	17MAR2016	KQ	SH
B2						REVISED PER ECO-16-013988	05SEP2016	PP	SH



2198339-1  
SCALE 3:1



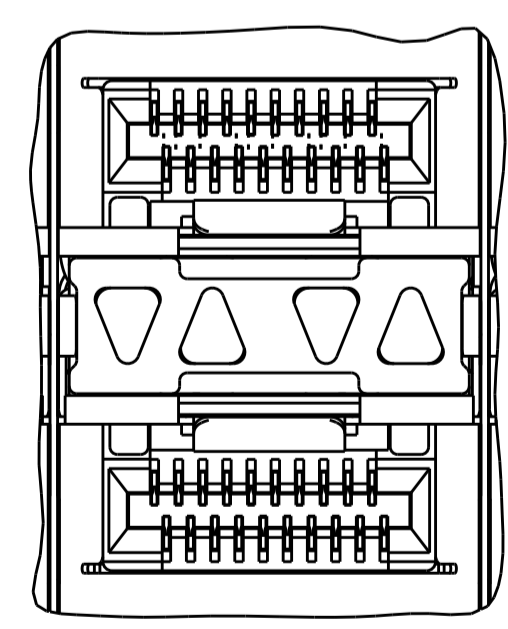
2198339-5  
SCALE 3:1



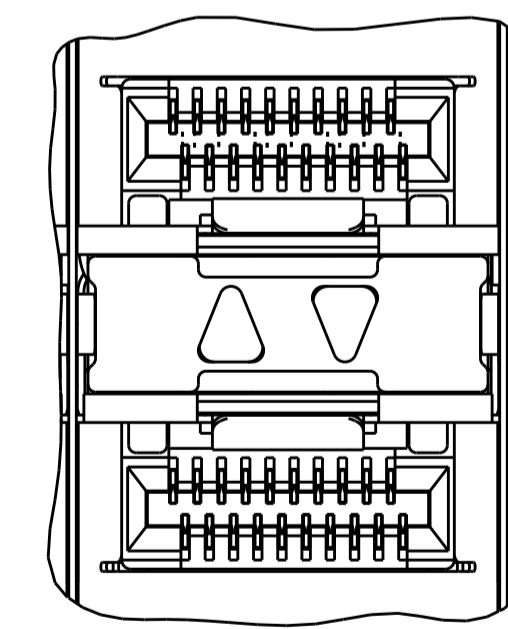
REVERSED INNER LIGHT PIPES  
2-2198339-1  
SCALE 4:1

- MATERIALS:  
 CAGE ASSEMBLY - NICKEL-SILVER ALLOY PER ASTM B 122  
 CONNECTOR HOUSING - LCP, BLACK, UL 94V-0 RATED  
 CONNECTOR HOUSING SHIELD - COPPER ALLOY  
 CHICKLET - LCP, BLACK, UL 94V-0 RATED  
 CHICKLET ALIGNMENT CLIP - PBT  
 CONTACT - COPPER ALLOY  
 EMI GASKET - ELASTOMERIC  
 GASKET FLANGE - STAINLESS STEEL  
 EMI SPRINGS - PHOSPHOR BRONZE PER ASTM B 103,  
 0.8µm MIN TIN PER ASTM B 545  
 LIGHT PIPE - POLYCARBONATE  
 LIGHT PIPE HOUSING - ZINC ALLOY
  - CONTACT FINISH:  
 CONFORMS TO THE REQUIREMENTS OF PRODUCT SPECIFICATION 108-2481, BASED ON EIA/ECA-364-1000.01A. (CONTROLLED ENVIRONMENT APPLICATIONS) ON MATING INTERFACE, TIN ON NEEDLE EYE
  - PCB MINIMUM THICKNESS = 1.5mm
- ⚠ FOR HOLE SIZE AND PLATINGS, SEE APPLICATION SPECIFICATION 114-13319
- ⚠ LIGHT PIPE PAD LAYOUT IS FOR 0805 LOW PROFILE LED PACKAGE WITH A HEIGHT OF 0.8mm
- ⚠ DIMENSIONS APPLY FOR EMI SPRINGS ONLY
- ⚠ THE ENTIRE AREA OF THE CONNECTOR FOOTPRINT, INDICATED BY THE DASHED LINE, TO BE CONSIDERED THE KEEPOUT AREA FOR COMPONENTS AND SIGNAL TRACES, TOP SIDE ONLY, TOP SIDE TRACES ALLOWED WITHIN CONNECTOR HOLE PATTERN

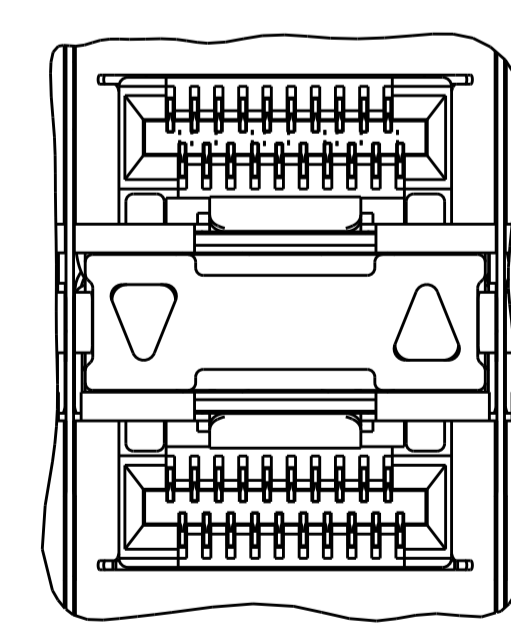
88	EMI SPRING AIRFLOW ENHANCE TYPE	NONE	3-2198339-1
90.75	EMI GASKET AIRFLOW ENHANCE TYPE	NONE	3-2198339-0
88	EMI SPRINGS	REVERSED INNER	2-2198339-1
		REVERSED OUTER	2-2198339-0
90.75	EMI GASKET	CENTER/REVERSED OUTER	1-2198339-9
		REVERSED OUTER	1-2198339-8
90.75	EMI GASKET	CENTER/REVERSED OUTER	1-2198339-7
		REVERSED OUTER	1-2198339-8
88	EMI SPRINGS	INNER	2198339-7
		INNER/OUTER	2198339-6
		NONE	2198339-5
90.75	EMI GASKET	OUTER	2198339-4
		INNER	2198339-3
		INNER/OUTER	2198339-2
		NONE	2198339-1
(E)	CAGE TYPE	LIGHT PIPE CONFIGURATION	PART NUMBER



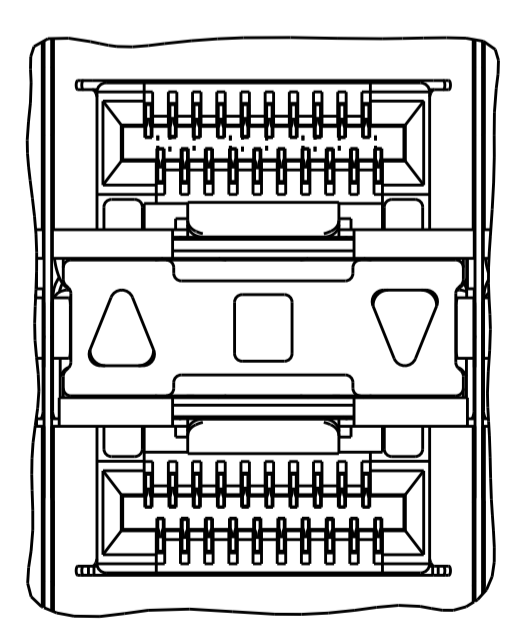
INNER/OUTER LIGHT PIPES  
2198339-2, 2198339-6  
SCALE 4:1



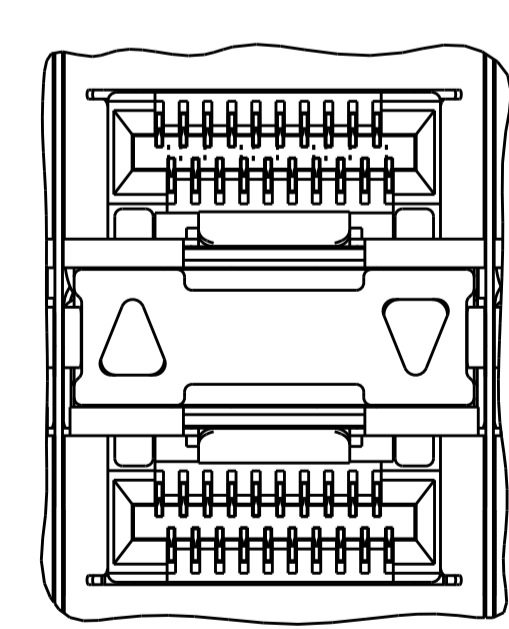
INNER LIGHT PIPES  
2198339-3, 2198339-7  
SCALE 4:1



OUTER LIGHT PIPES  
2198339-4, 2198339-8  
SCALE 4:1



CENTER/REVERSED OUTER  
1-2198339-7, 1-2198339-9  
SCALE 4:1



REVERSED OUTER  
1-2198339-8, 2-2198339-0  
SCALE 4:1

THIS DRAWING IS A CONTROLLED DOCUMENT.

OWN: M.E. CONNER 07DEC2011  
 CHG: M.D. MORRISON 13DEC2011  
 APVD: M.D. MORRISON 13DEC2011

TE Connectivity

NAME: RECEPTACLE ASSEMBLY ,2X6 STACKED, 2SFP+

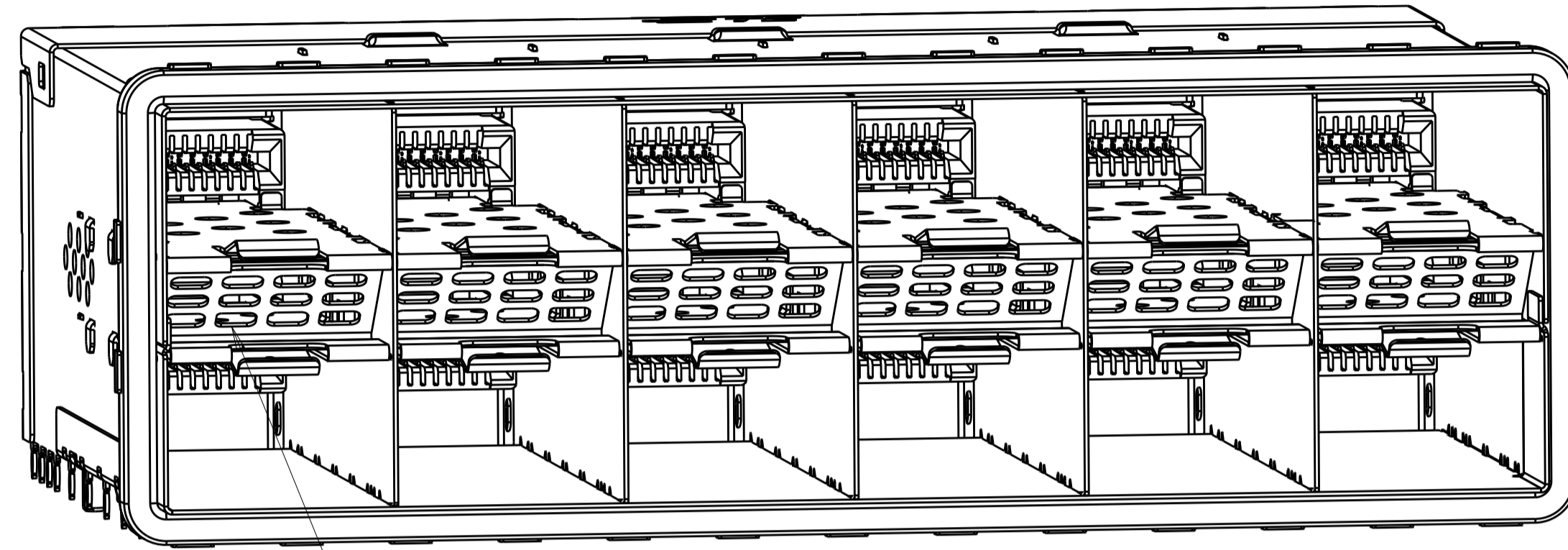
PRODUCT SPEC: 108-2481  
 APPLICATION SPEC: 114-13319

SIZE: CAGE CODE DRAWING NO: A100779  
 WEIGHT: 2198339

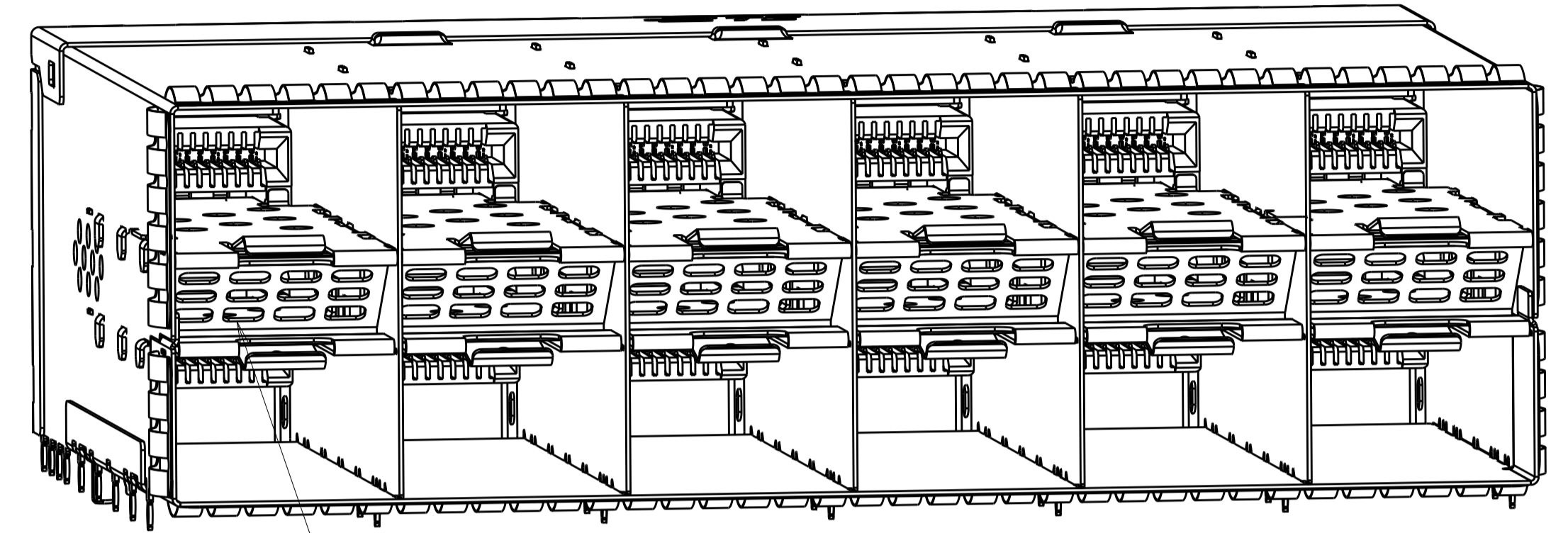
CUSTOMER DRAWING

SCALE: 1:1 SHEET 1 OF 6 REV B2

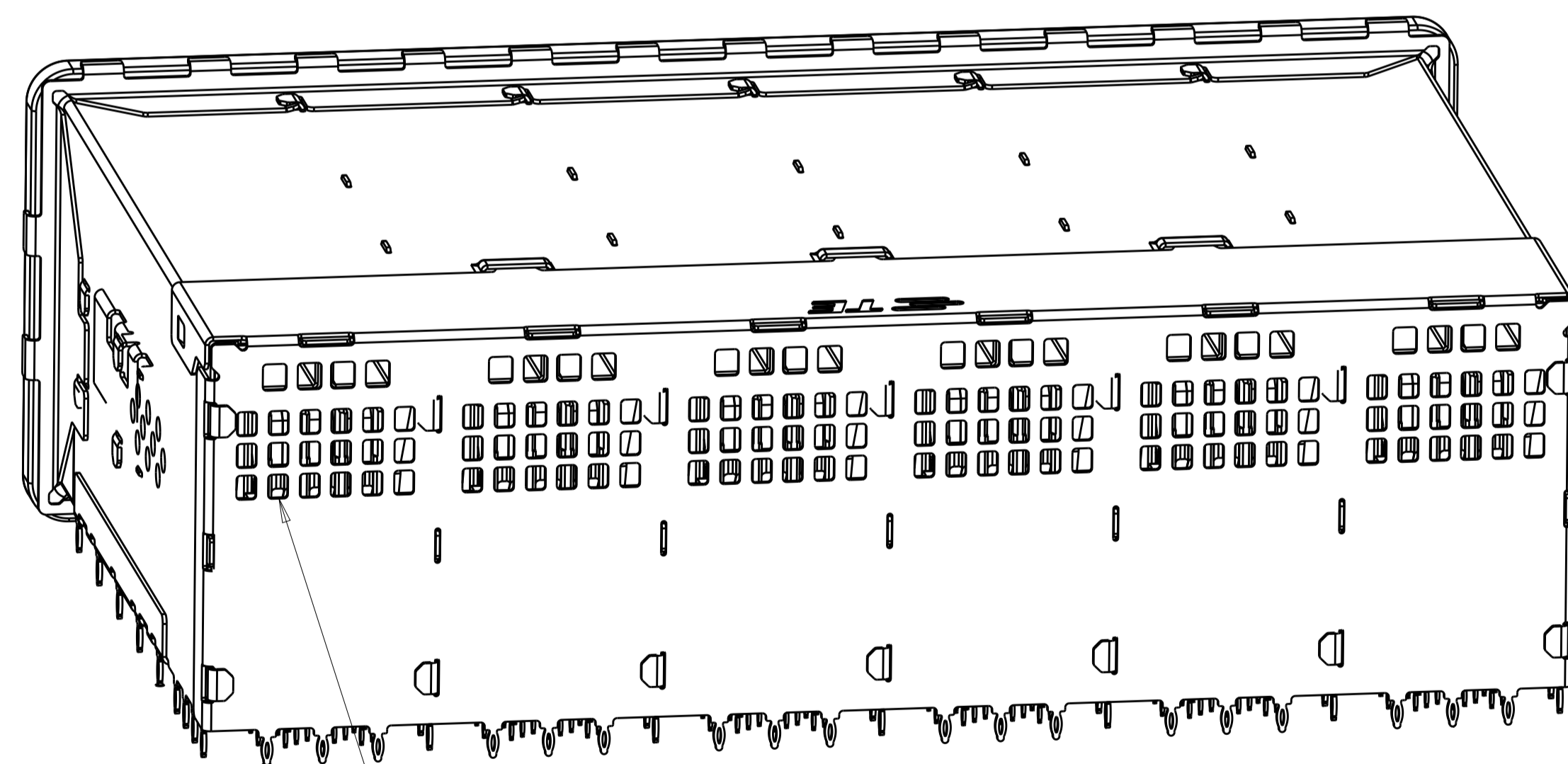
# AIRFLOW ENHANCE TYPE



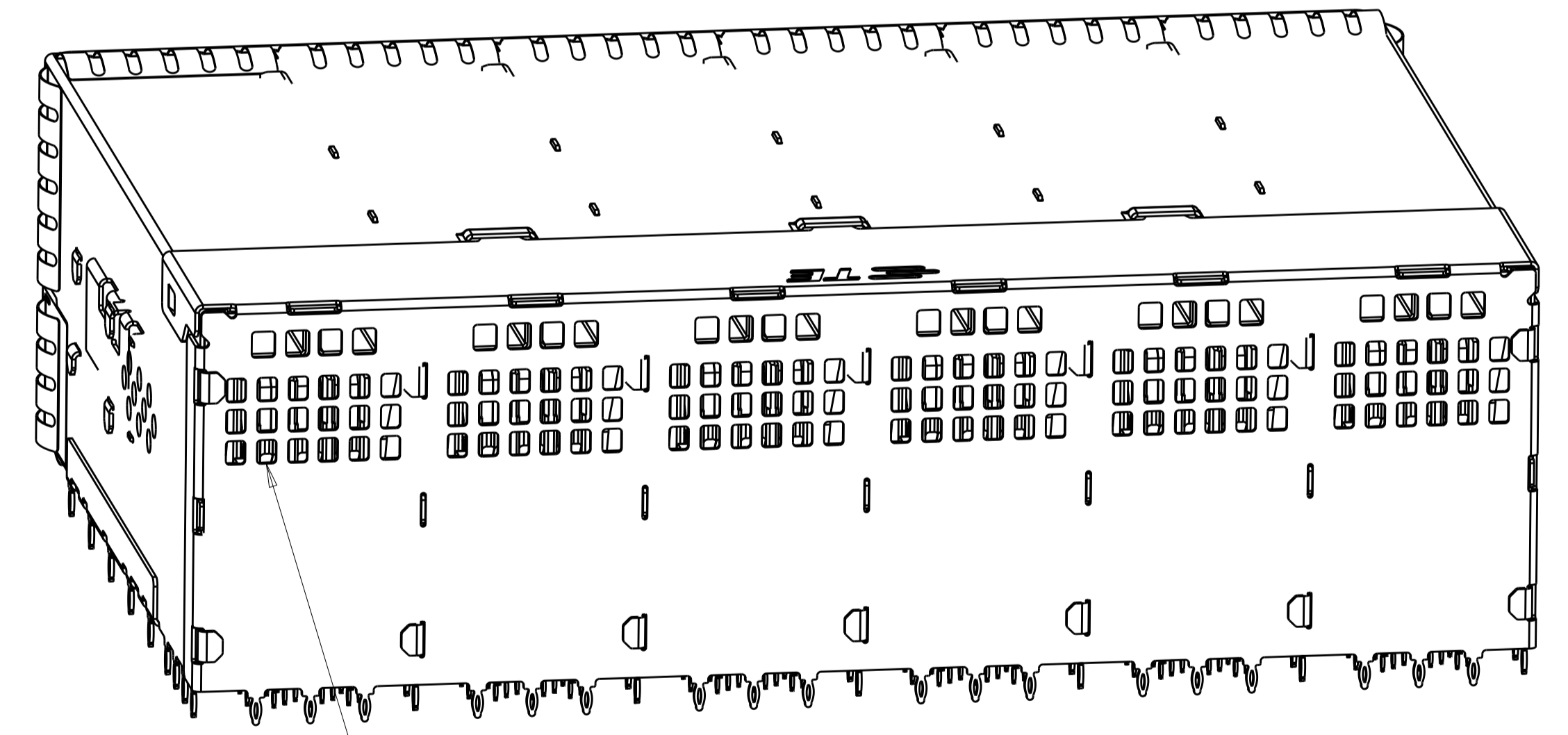
AIR VENTS



AIR VENTS



AIR VENTS



AIR VENTS

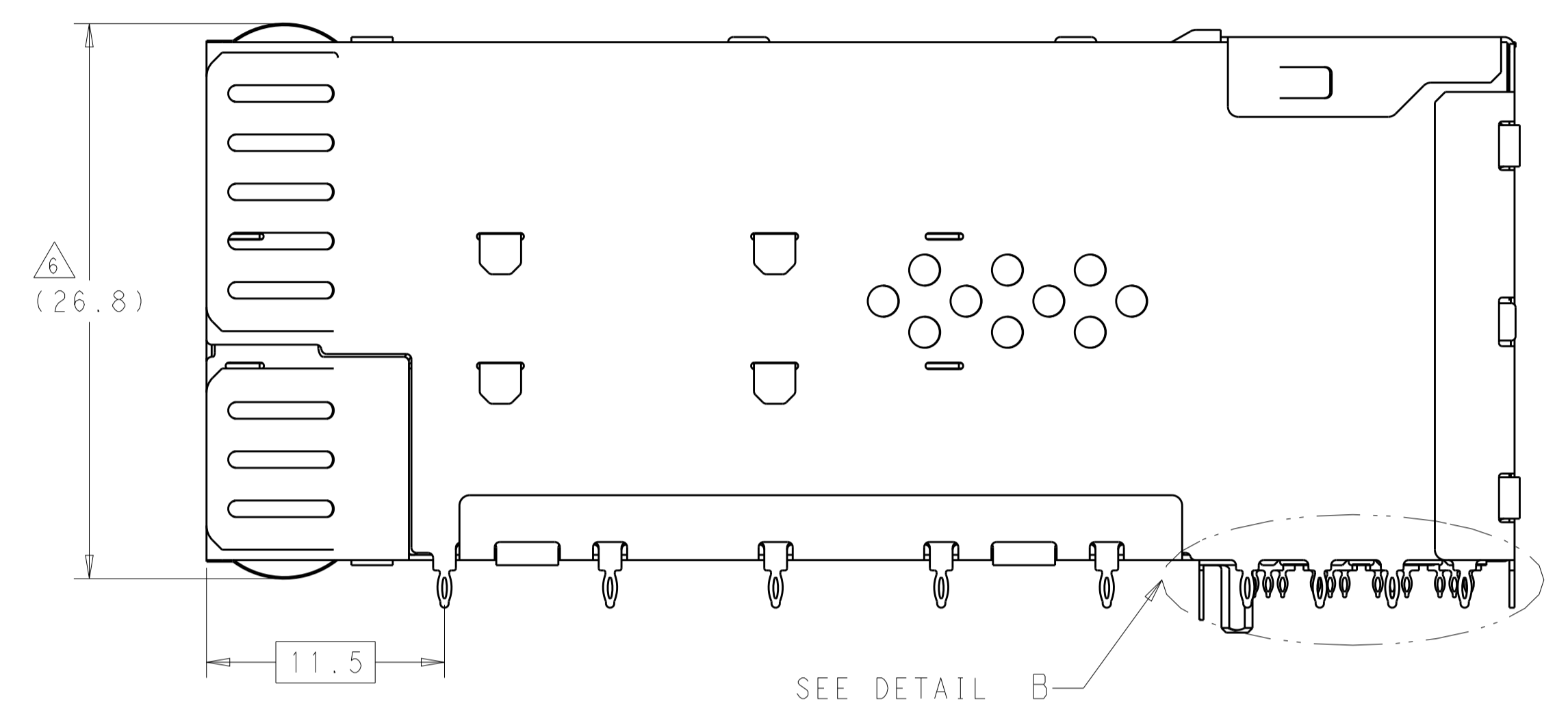
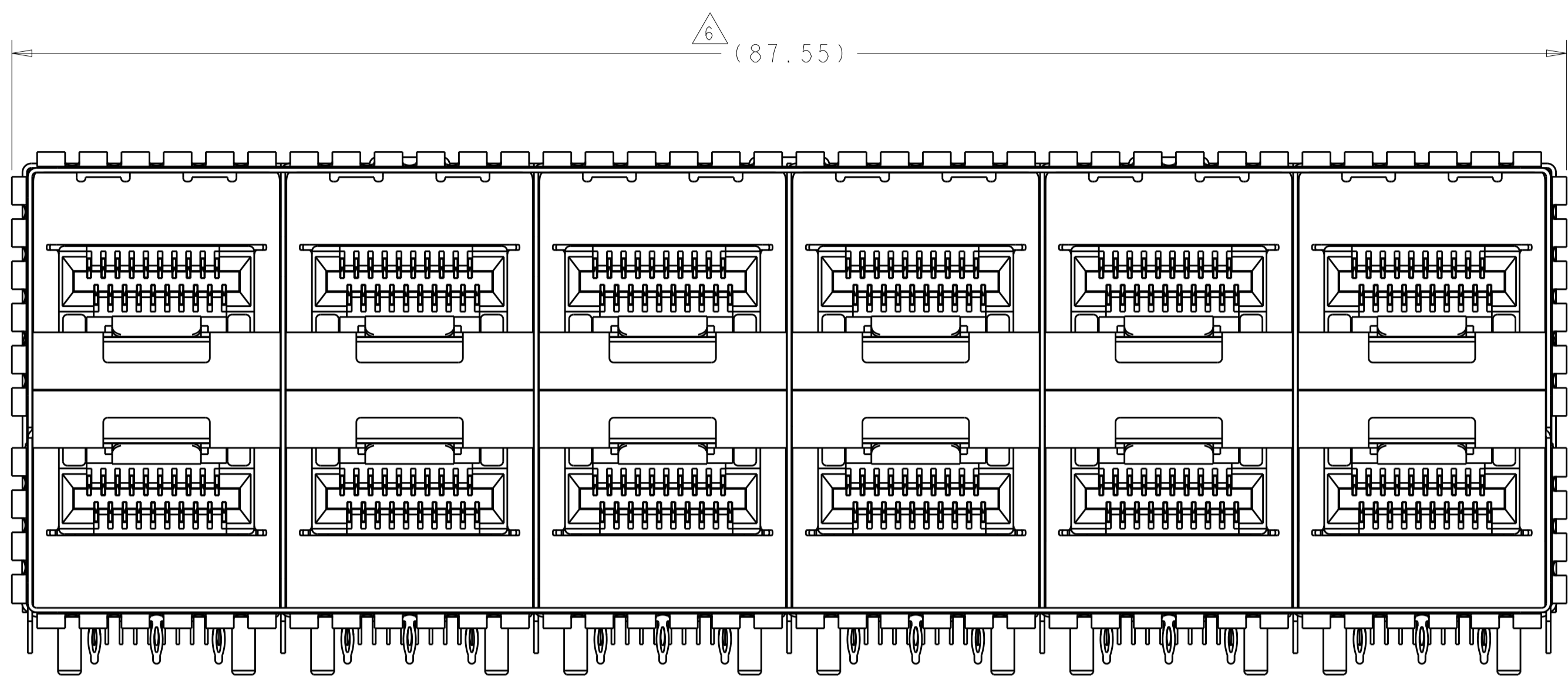
3-2198339-0  
EMI GASKET TYPE

3-2198339-1  
EMI SPRING TYPE

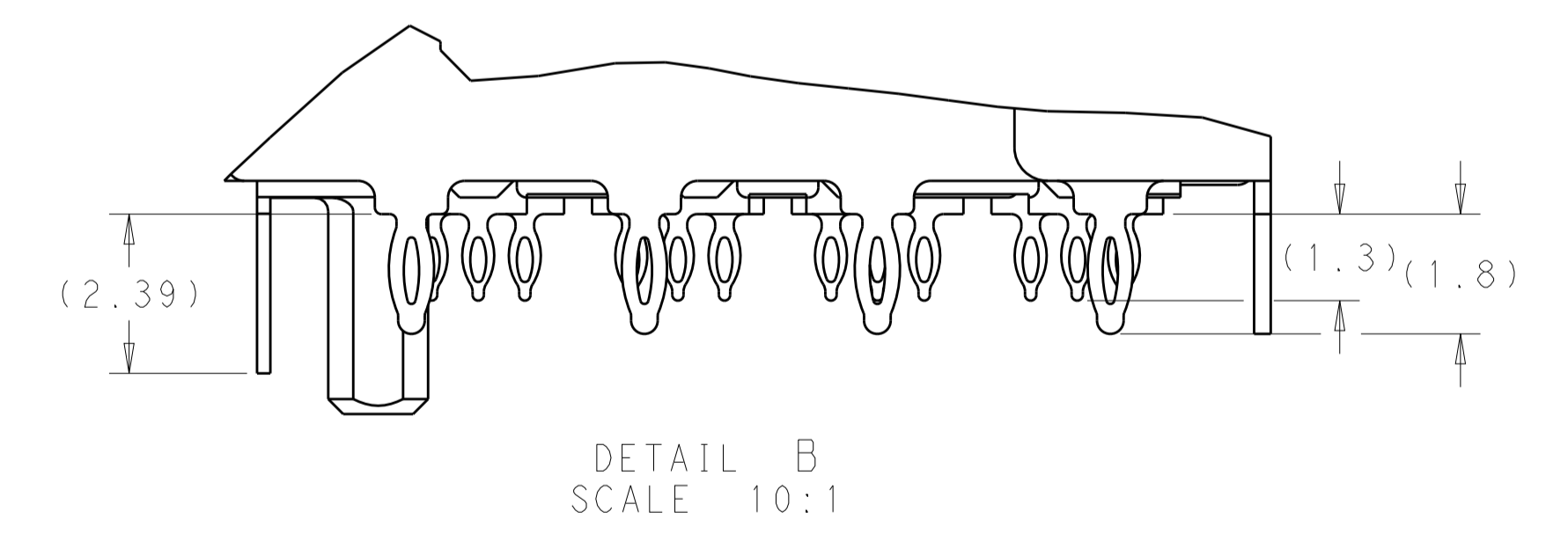
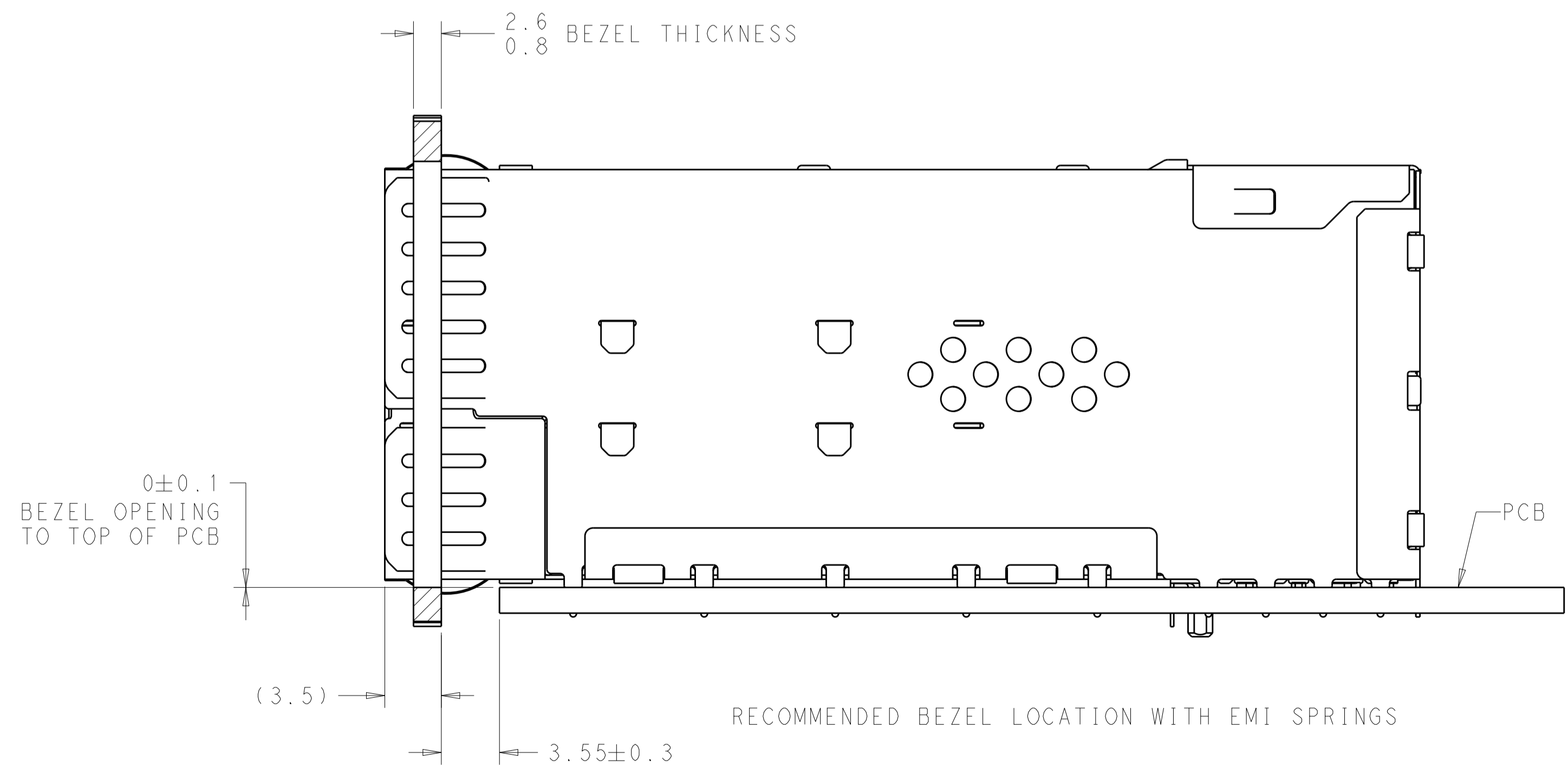
LOC	DIST	REVISIONS			
P.	LTN	DESCRIPTION	DATE	DWN	APVD
-	-	SEE SHEET 1	-	-	-

THIS DRAWING IS A CONTROLLED DOCUMENT.		DWN M. E. CONNER 07DEC2011	
DIMENSIONS: mm		CHK M. D. MORRISON 13DEC2011	
TOLERANCES UNLESS OTHERWISE SPECIFIED:		APVD M. D. MORRISON 13DEC2011	NAME RECEPTACLE ASSEMBLY ,2X6 STACKED, zSFP+
0 PLC ± 1 PLC ±0.20 2 PLC ±0.15 3 PLC ±0.10 4 PLC ± ANGLES ±°		PRODUCT SPEC 108-2481	
MATERIAL SEE NOTES		APPLICATION SPEC 114-13319	RESTRICTED TO
FINISH SEE NOTES		WEIGHT	SIZE CAGE CODE DRAWING NO A100779C=2198339
Customer Drawing		SCALE 1:1	SHEET 2 OF 6 REV B2

LOC	DIST	REVISIONS			
P.	LTN	DESCRIPTION	DATE	DMN	APVD
-	-	SEE SHEET 1	-	-	-

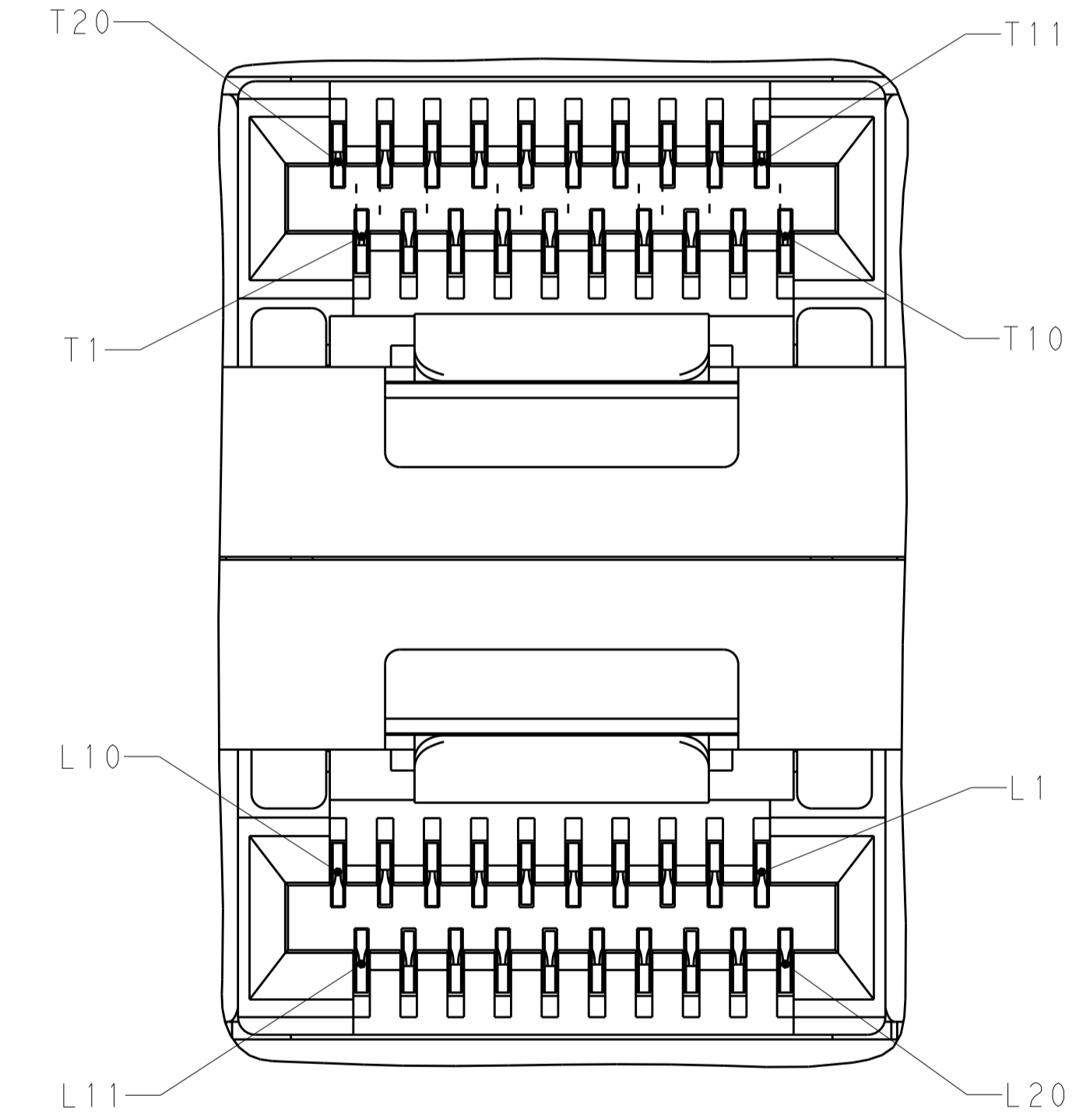
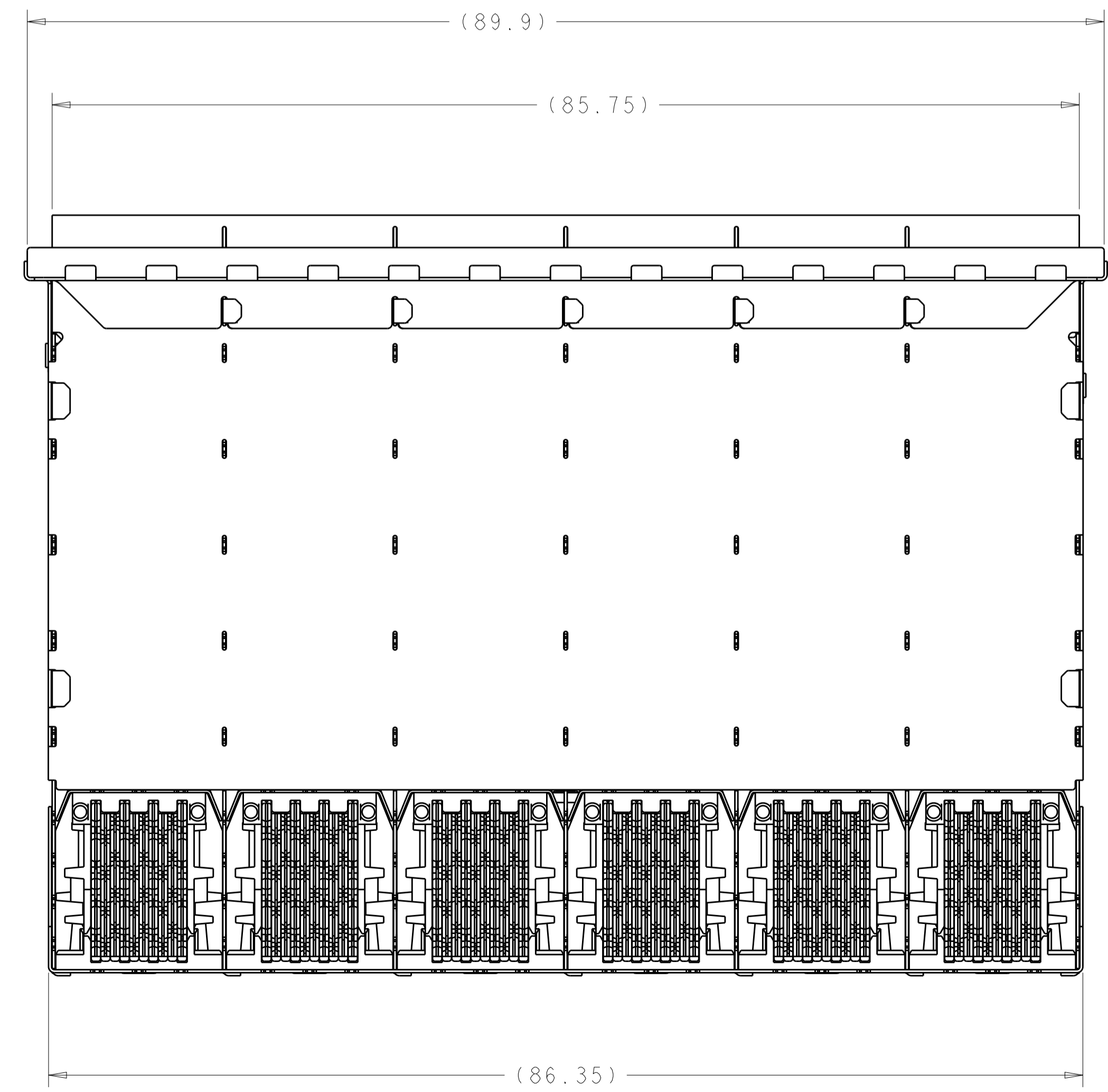
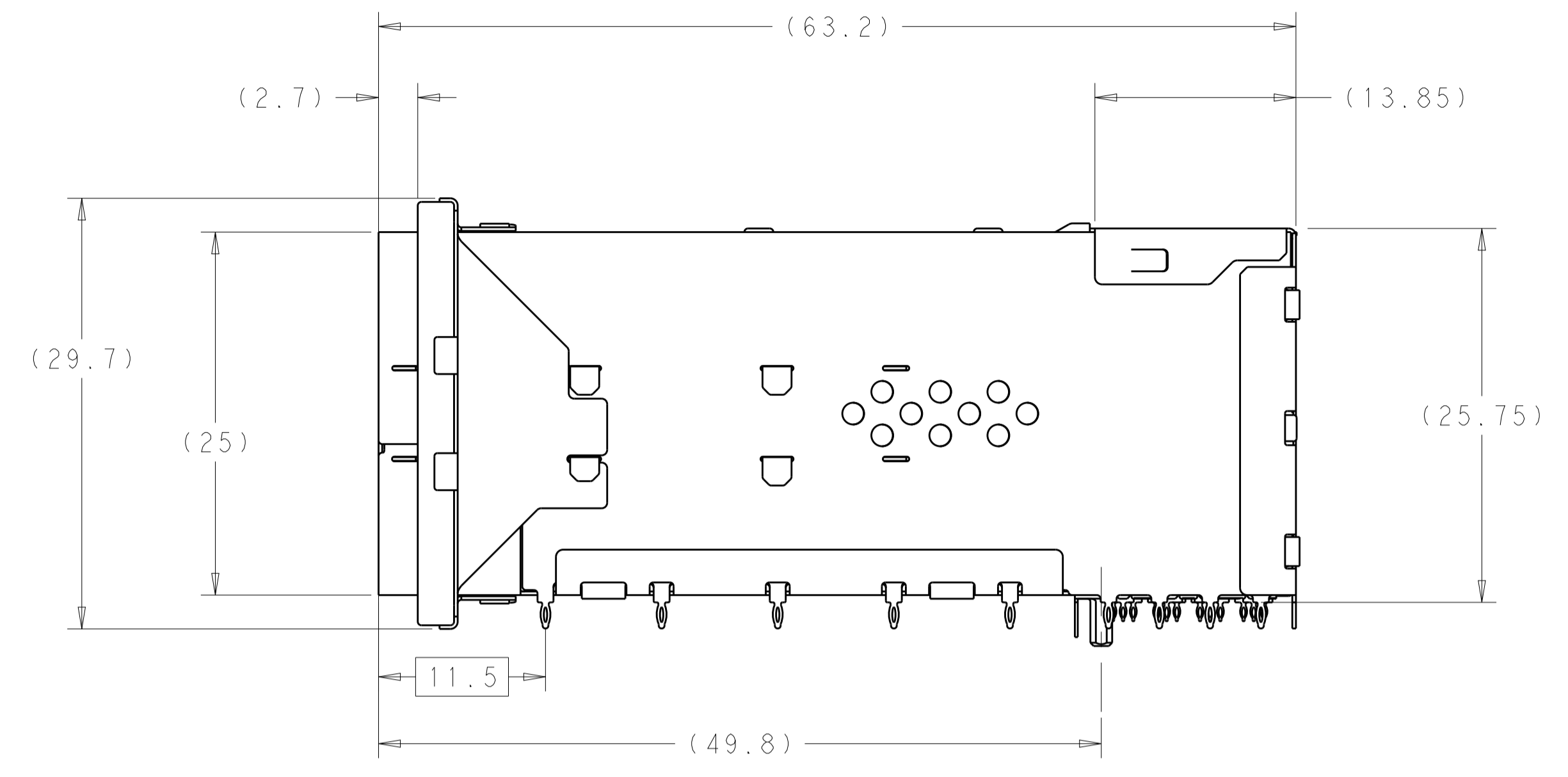
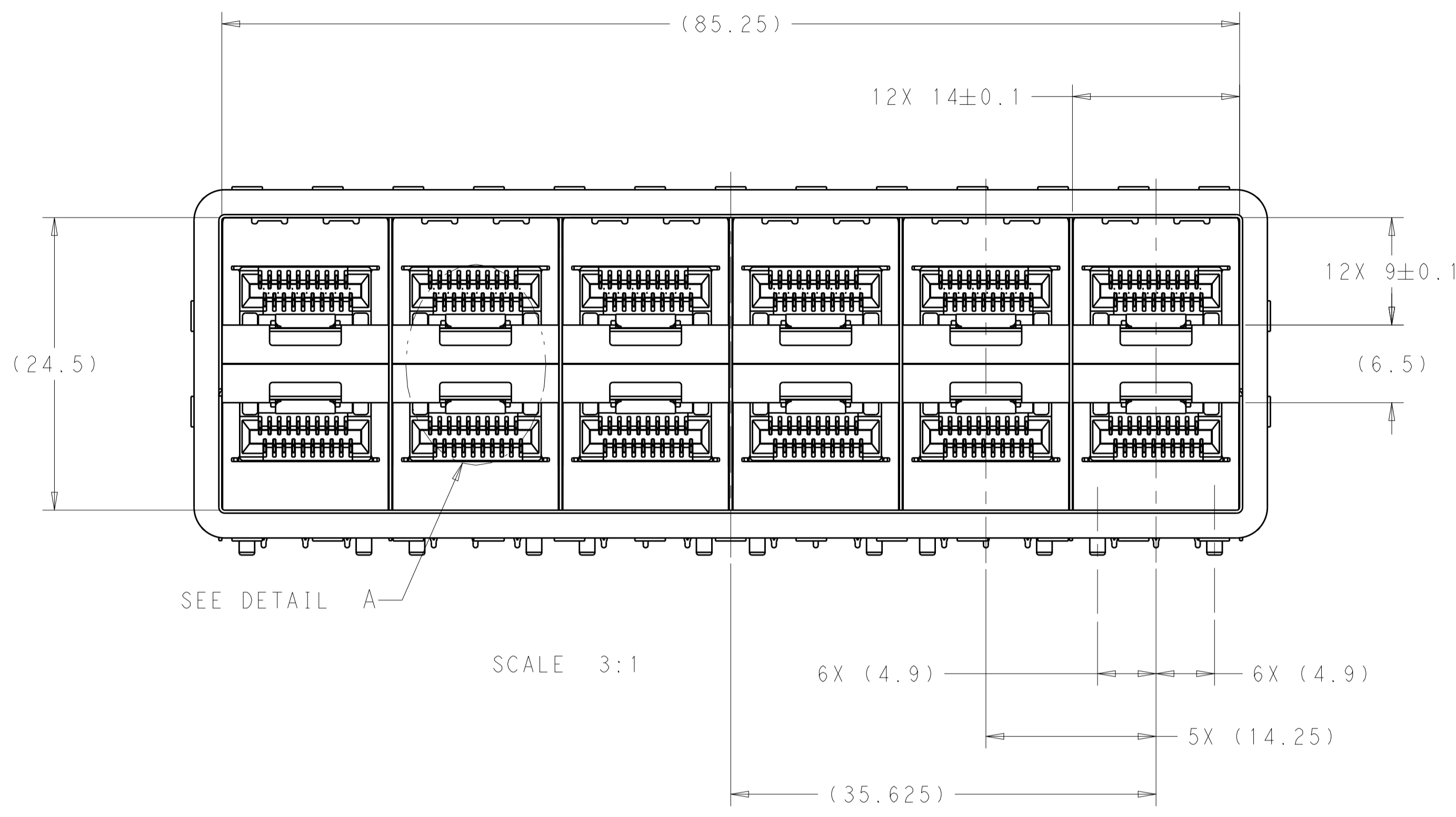


2198339-5 THRU 2198339-8, 1-2198339-9, 2-2198339-0, 2-2198339-1  
 EMI SPRINGS ONLY  
 SCALE 4:1



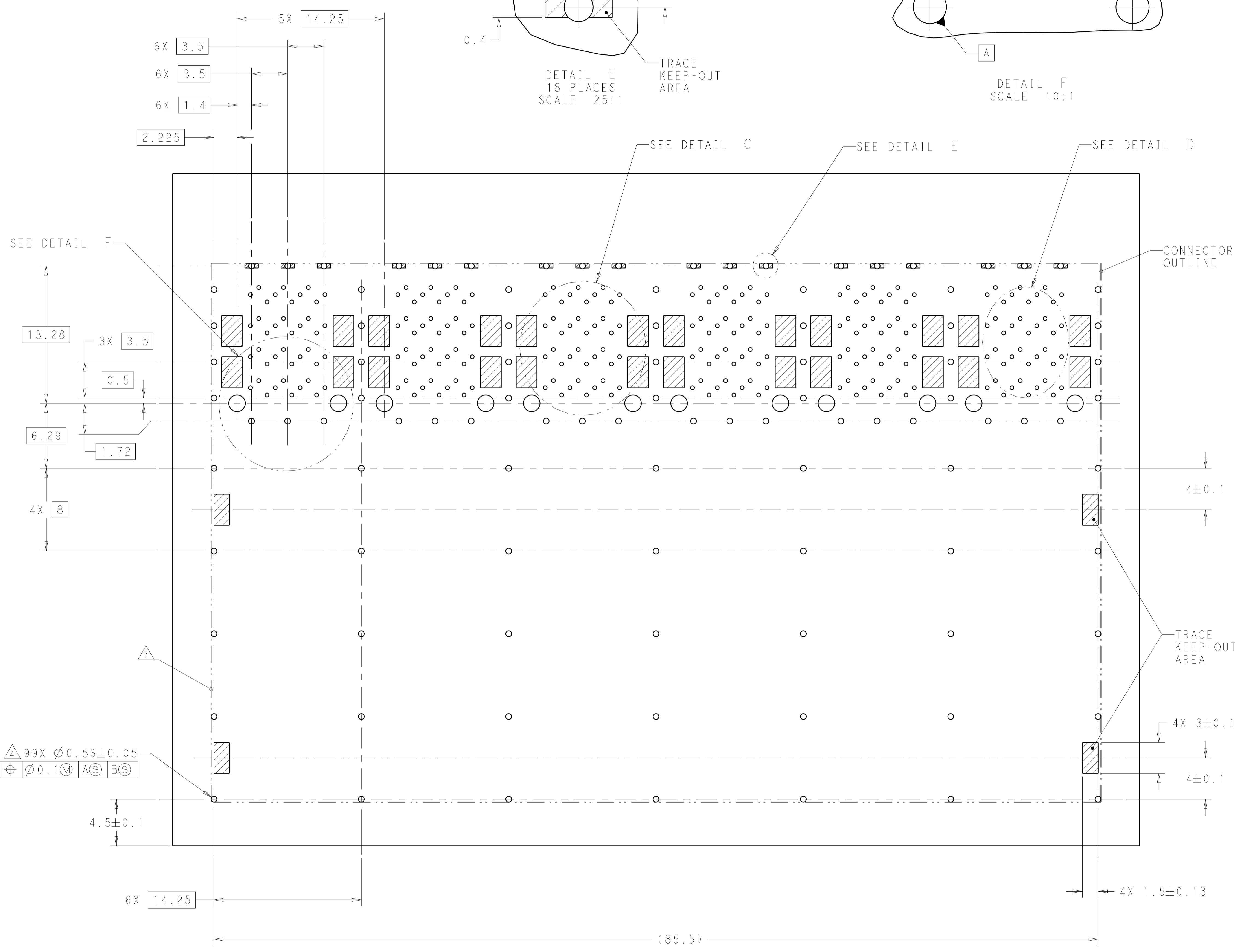
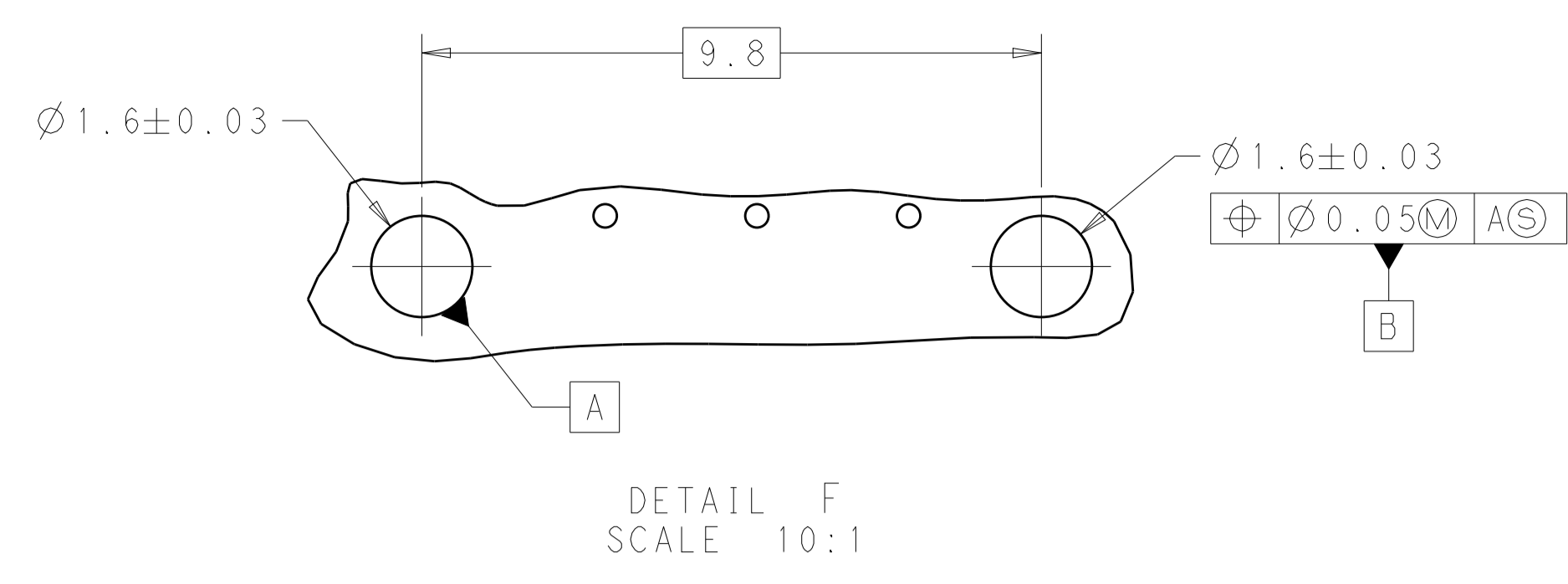
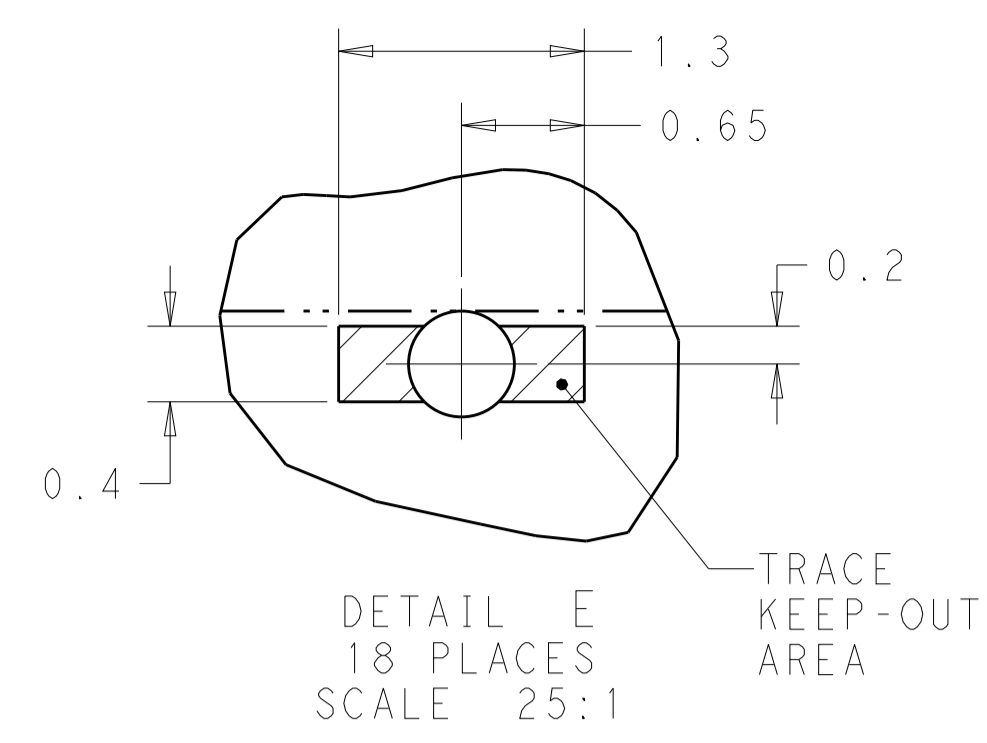
THIS DRAWING IS A CONTROLLED DOCUMENT.		DMN M. E. CONNER 07DEC2011	TE Connectivity
DIMENSIONS: mm		CHK M. D. MORRISON 13DEC2011	
TOLERANCES UNLESS OTHERWISE SPECIFIED:		APVD M. D. MORRISON 13DEC2011	NAME RECEPTACLE ASSEMBLY ,2X6 STACKED, zSFP+
0 PLC ± 1 PLC ±0.20 2 PLC ±0.15 3 PLC ±0.10 4 PLC ± ANGLES ±°		PRODUCT SPEC 108-2481	SIZE A100779
MATERIAL SEE NOTES		APPLICATION SPEC 114-13319	CAGE CODE C=2198339
FINISH SEE NOTES		WEIGHT Customer Drawing	RESTRICTED TO -
SCALE 1:1			SHEET 3 OF 6
REV B2			

LOC		DIST		REVISIONS			
P	LTN	DESCRIPTION	DATE	DWN	APVD		
-	-	SEE SHEET 1	-	-	-		



THIS DRAWING IS A CONTROLLED DOCUMENT.		DWN: M.E. CONNER 07DEC2011	
DIMENSIONS: mm		CHK: M.D. MORRISON 13DEC2011	
TOLERANCES UNLESS OTHERWISE SPECIFIED:		APVD: M.D. MORRISON 13DEC2011	NAME: RECEPTACLE ASSEMBLY ,2X6 STACKED, zSFP+
0 PLC ±		PRODUCT SPEC: 108-2481	SIZE: A100779
1 PLC ±0.20		APPLICATION SPEC: 114-13319	CAGE CODE: C=2198339
2 PLC ±0.15		WEIGHT: -	RESTRICTED TO: -
3 PLC ±0.10		Customer Drawing	SCALE: 1:1 SHEET 4 OF 6 REV: B2
4 PLC ±			
ANGLES ±°			
FINISH SEE NOTES			

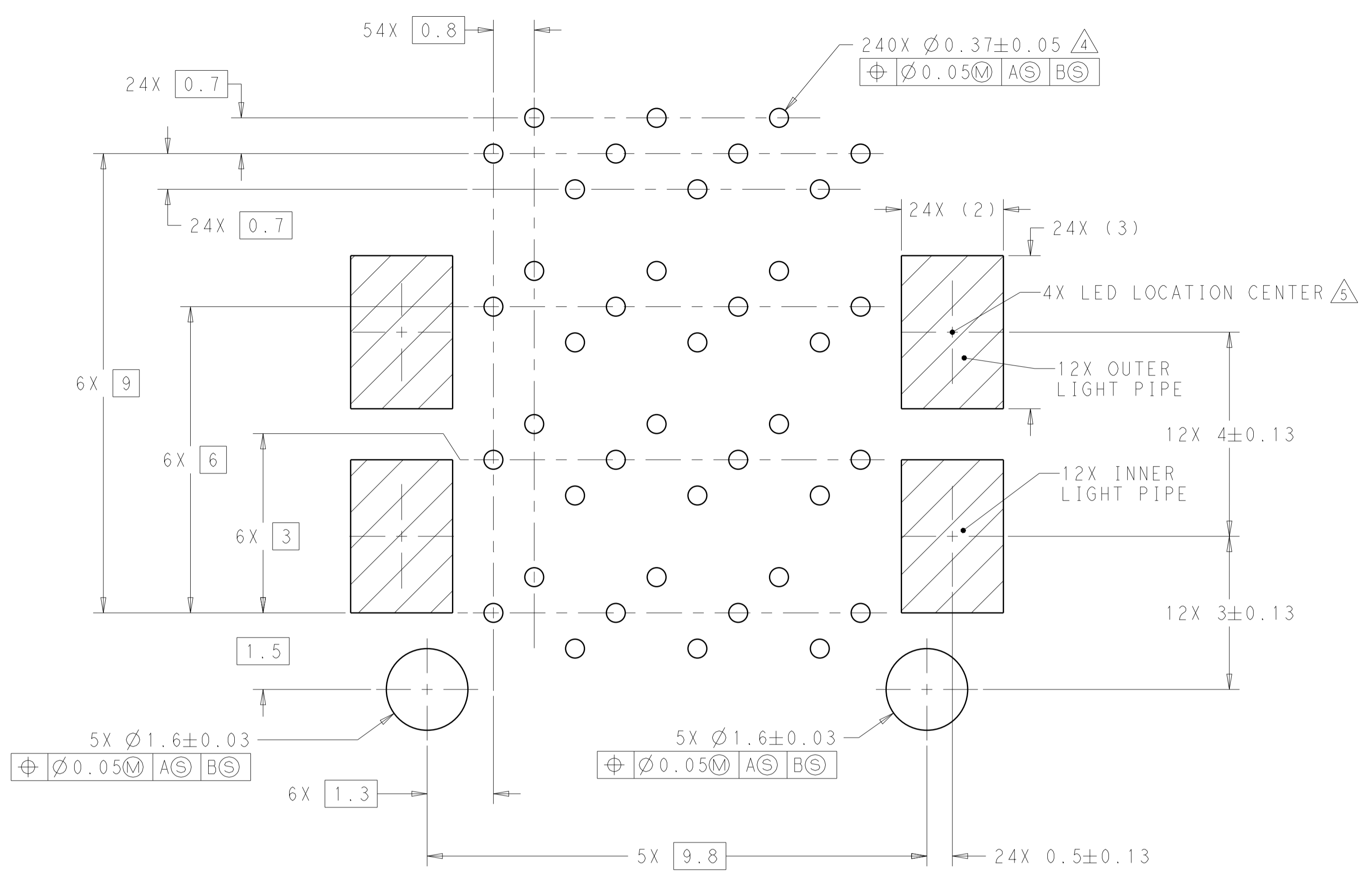
LOC		DIST		REVISIONS			
P.	LTN.	DESCRIPTION	DATE	DWN.	APVD.		
-	-	SEE SHEET 1	-	-	-		



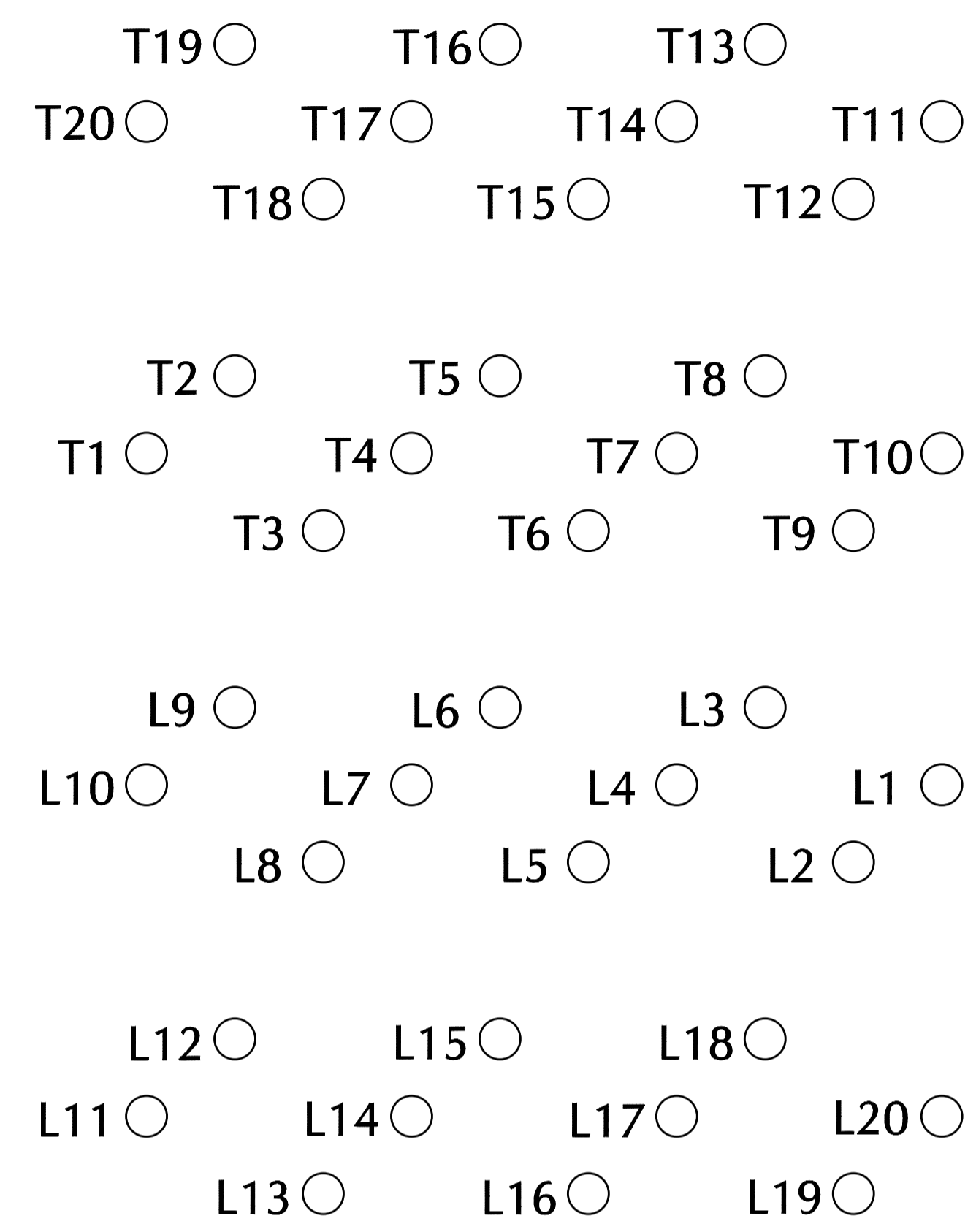
4 99X  $\varnothing 0.56 \pm 0.05$   
 $\varnothing 0.1$  M A S B S

THIS DRAWING IS A CONTROLLED DOCUMENT.		DWN: M.E. CONNER 07DEC2011	TE Connectivity
DIMENSIONS: mm		CHK: M.D. MORRISON 13DEC2011	
TOLERANCES UNLESS OTHERWISE SPECIFIED:		APVD: M.D. MORRISON 13DEC2011	NAME: RECEPTACLE ASSEMBLY ,2X6 STACKED, zSFP+
0 PLC ± 1 PLC ±0.20 2 PLC ±0.15 3 PLC ±0.10 4 PLC ± ANGLES ±°		PRODUCT SPEC: 108-2481	SIZE: A1
MATERIAL: SEE NOTES		APPLICATION SPEC: 114-13319	CAGE CODE: C=2198339
FINISH: SEE NOTES		WEIGHT: -	RESTRICTED TO: -
Customer Drawing		SCALE: 1:1	SHEET 5 OF 6 REV B2

LOC	DIST	REVISIONS			
P	LTN	DESCRIPTION	DATE	DMN	APVD
-	-	SEE SHEET 1	-	-	-

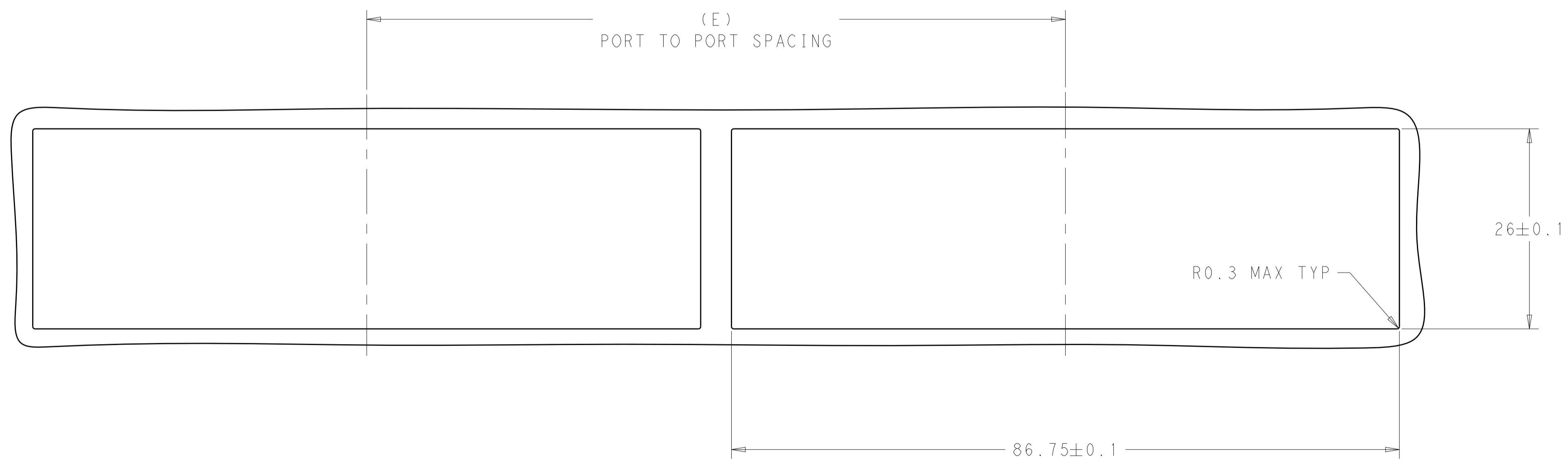


DETAIL C  
 RECOMMENDED PIN AND LIGHT PIPE LAYOUT  
 SCALE 15:1

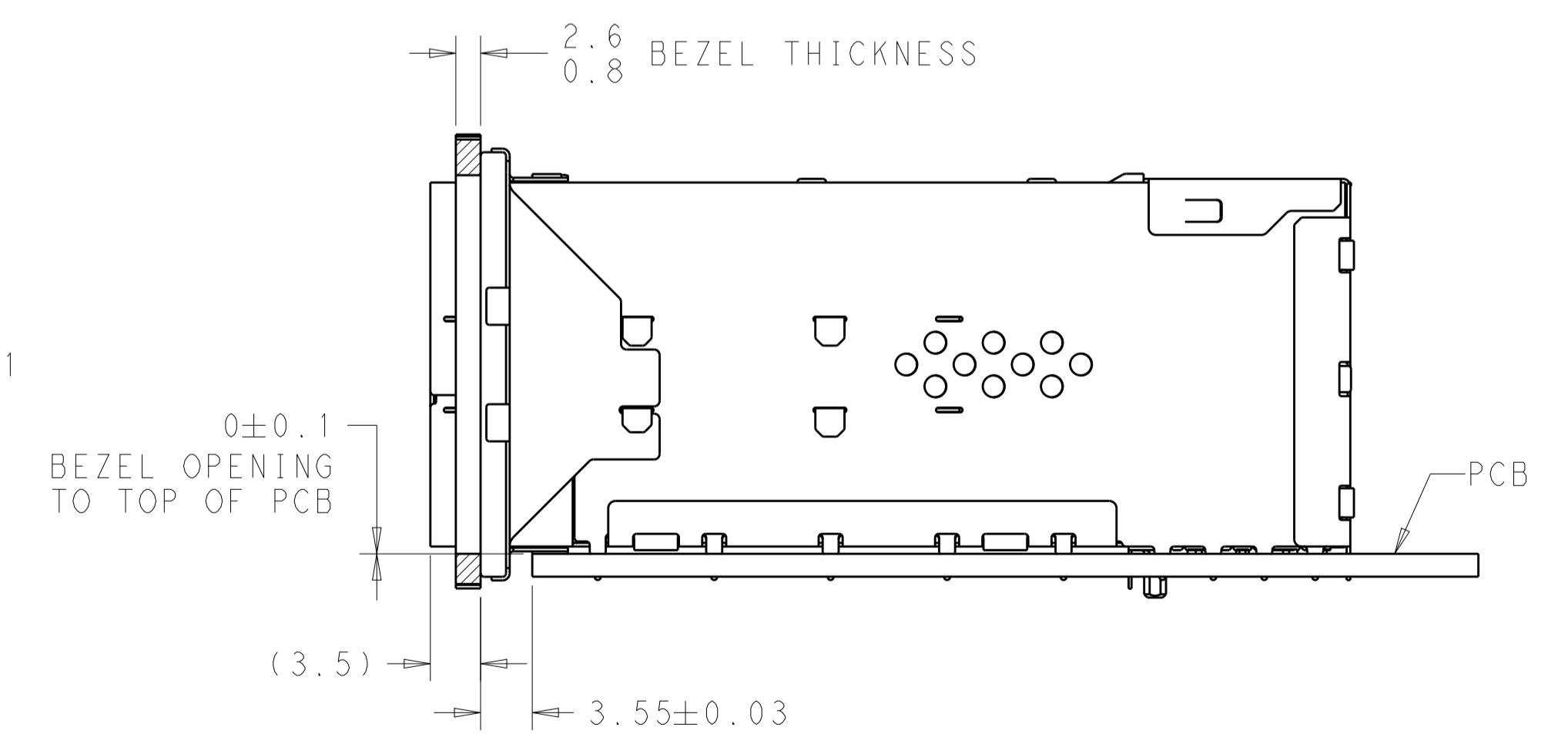


PIN MAP LEGEND	
PIN NUMBER	FUNCTION
L1/T1	VEET
L2/T2	TX-FAULT
L3/T3	TX-DISABLE
L4/T4	SDA
L5/T5	SCL
L6/T6	MOD_ABS
L7/T7	RSO
L8/T8	RX_LOS
L9/T9	RS1
L10/T10	VEER
L11/T11	VEER
L12/T12	RD-
L13/T13	RD+
L14/T14	VEER
L15/T15	VCCR
L16/T16	VCCT
L17/T17	VEET
L18/T18	TD+
L19/T19	TD-
L20/T20	VEET

DETAIL D  
 PIN MAP  
 6 PLACES  
 SCALE 20:1



RECOMMENDED BEZEL CUT-OUT DETAIL  
 SCALE 5:2



RECOMMENDED BEZEL LOCATION WITH EMI GASKET  
 SCALE 5:2

THIS DRAWING IS A CONTROLLED DOCUMENT.		DMN: M.E. CONNER 07DEC2011	TE Connectivity
DIMENSIONS: mm		CHK: M.D. MORRISON 13DEC2011	
TOLERANCES UNLESS OTHERWISE SPECIFIED:		APVD: M.D. MORRISON 13DEC2011	NAME: RECEPTACLE ASSEMBLY ,2X6 STACKED, zSFP+
0 PLC ±.20 1 PLC ±0.15 2 PLC ±0.10 3 PLC ±.10 4 PLC ±.10 ANGLES ±.5°		PRODUCT SPEC: 108-2481	
MATERIAL: SEE NOTES		APPLICATION SPEC: 114-13319	SIZE: A1
FINISH: SEE NOTES		WEIGHT: -	CAGE CODE: 2198339
Customer Drawing		SCALE: 1:1	SHEET 6 OF 6 REV B2