



Chipsmall Limited consists of a professional team with an average of over 10 year of expertise in the distribution of electronic components. Based in Hongkong, we have already established firm and mutual-benefit business relationships with customers from,Europe,America and south Asia,supplying obsolete and hard-to-find components to meet their specific needs.

With the principle of “Quality Parts,Customers Priority,Honest Operation,and Considerate Service”,our business mainly focus on the distribution of electronic components. Line cards we deal with include Microchip,ALPS,ROHM,Xilinx,Pulse,ON,Everlight and Freescale. Main products comprise IC,Modules,Potentiometer,IC Socket,Relay,Connector.Our parts cover such applications as commercial,industrial, and automotives areas.

We are looking forward to setting up business relationship with you and hope to provide you with the best service and solution. Let us make a better world for our industry!



Contact us

Tel: +86-755-8981 8866 Fax: +86-755-8427 6832

Email & Skype: info@chipsmall.com Web: www.chipsmall.com

Address: A1208, Overseas Decoration Building, #122 Zhenhua RD., Futian, Shenzhen, China



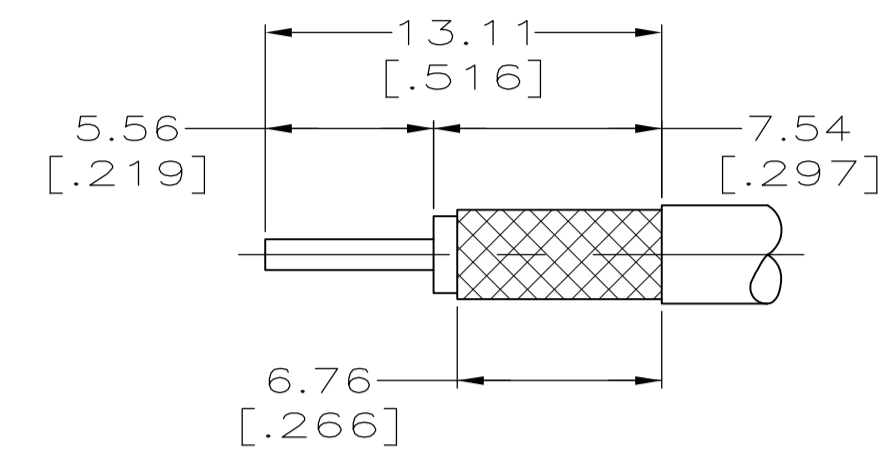
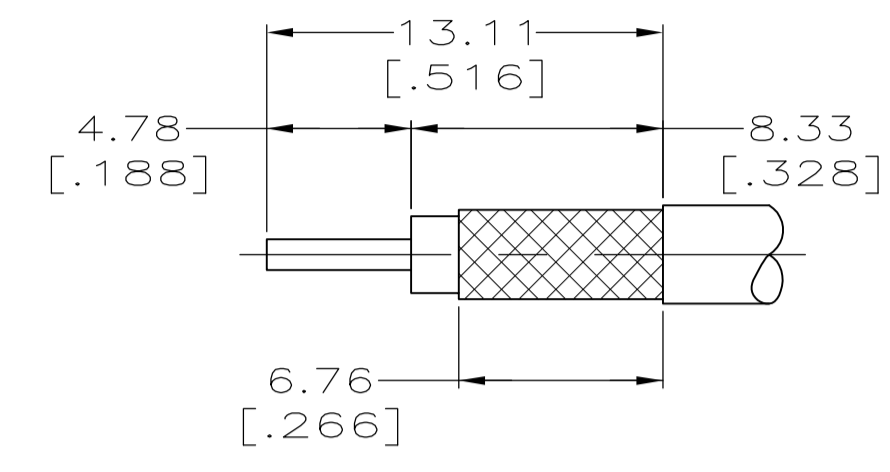
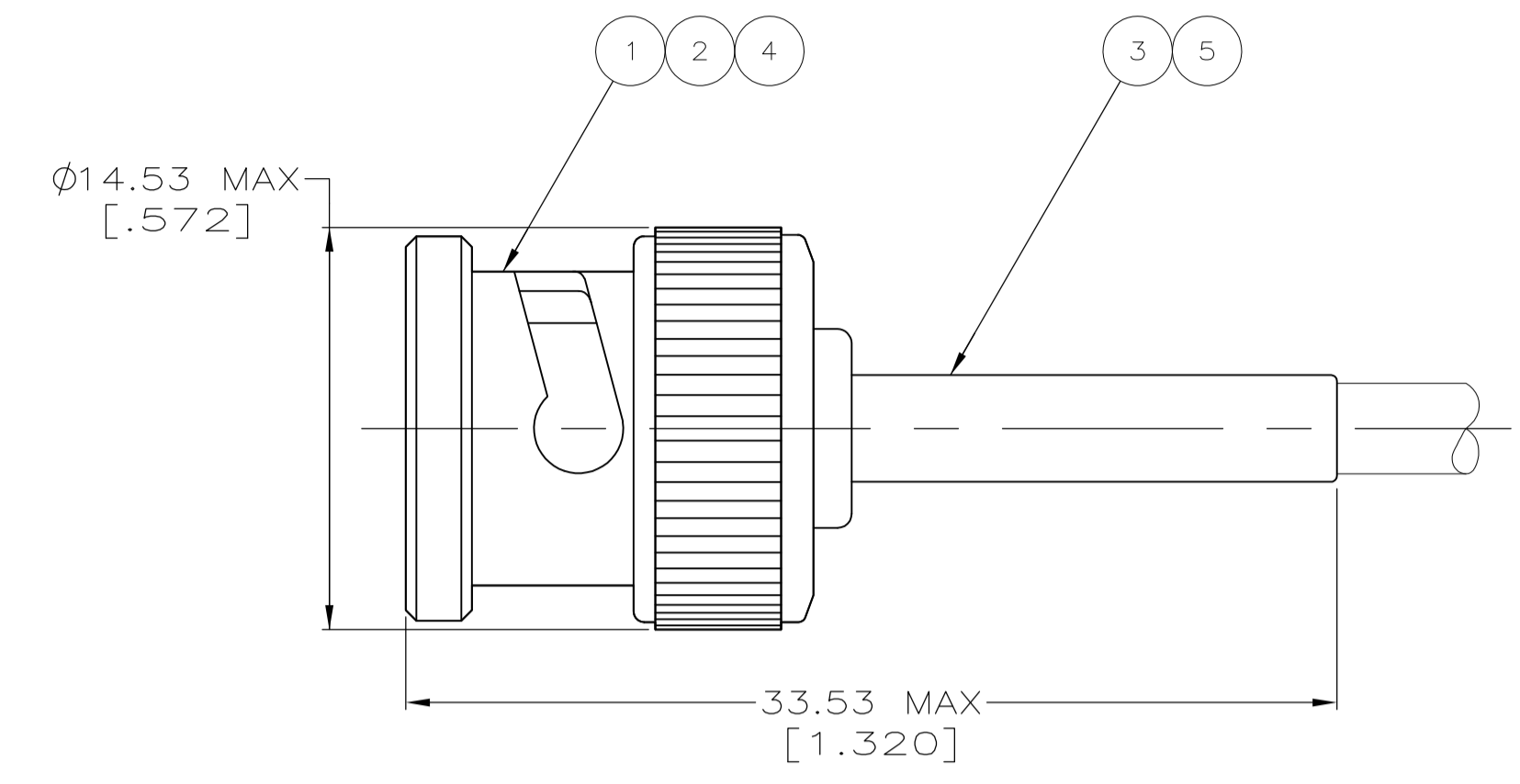


FIGURE 1
FIGURE 2
RECOMMENDED STRIP LENGTH

- ① CABLE USED WITHOUT SPACER
- ② CABLE USED WITH SPACER
- ③ SEE I.S. 9021
- ④ PARTS PACKAGED UNASSEMBLED
- ⑤ USE AMP HAND TOOL: 220190-1
- ⑥ SPECIAL PACKAGING: INDIVIDUALLY PACKAGED IN PRE-PRINTED BAG WITH SPECIAL GRAPHICS
- ⑦ CONNECTOR INDIVIDUALLY PACKAGED
- ⑧ BULK PACKAGE
- ⑨ RG-188/U, 316/U TYPE DOUBLE BRAID AND JIS CABLES 1.5D-2V, 1.5D-XV & 1.5D-XVS
- ⑩ SPECIAL PACKAGING: BULK PACKAGE 25 PIECES

OBSOLETE	⑥	RG-59/U, 59A/U, 59B/U	6.48	[.255]	1.73	[.068]	58465-1	FIG 1	-	227423-1	9-221132-1	222246-6	413636-2	9-221128-9
OBSOLETE	⑥	BELDEN 9907, 89907 & RG-141/U	5.41	[.213]	1.73	[.068]	58465-1	FIG 1	-	-	9-221132-0	1-222246-6	413636-1	9-221128-8
OBSOLETE	⑥	RG-180/U, 195/U	4.52	[.178]	1.73	[.068]	58465-3	FIG 1	-	-	9-413658-1	1-222246-3	413636-3	9-221128-7
	⑥	RG-179/U, 187/U	4.52	[.178]	1.73	[.068]	58465-3	FIG 1	227194-1	-	9-413658-0	1-222246-3	413636-3	9-221128-6
	⑥	RG-174/U, 188/U, 316/U	4.52	[.178]	1.73	[.068]	58465-3	FIG 1	227194-1	-	9-413658-0	1-222246-0	413636-3	9-221128-5
OBSOLETE	⑥	RG-58/U, 58A/U, 58B/U, 58C/U	5.41	[.213]	1.73	[.068]	58465-1	FIG 1	-	-	9-221132-0	222246-5	413636-1	9-221128-4
OBSOLETE	⑦	BELDEN 8281	8.23	[.324]	1.73	[.068]	58465-2	FIG 1	-	-	9-221132-2	222246-2	413636-4	9-221128-3
OBSOLETE	⑥	RG-62/U, 62A/U, 62B/U	6.48	[.255]	1.73	[.068]	58465-1	FIG 2	-	-	9-221132-2	222246-2	413636-4	9-221128-3
OBSOLETE	① ② ③	RG-59/U, 59A/U, 59B/U	6.48	[.255]	1.73	[.068]	58465-1	FIG 1	-	227423-1	9-221132-1	222246-4	413636-2	9-221128-2
OBSOLETE	⑥	RG-58/U, 58A/U, 58B/U, 58C/U	5.41	[.213]	1.73	[.068]	58465-1	FIG 1	-	-	9-221132-0	222246-2	413636-1	9-221128-1
OBSOLETE	⑥	RG-58/U, 58A/U, 58B/U, 58C/U	5.41	[.213]	1.73	[.068]	58465-1	FIG 1	-	-	9-221132-0	222246-2	413636-1	9-221128-0
OBSOLETE	⑥	BELDEN 1167A	4.52	[.178]	1.73	[.068]	58465-3	FIG 1	-	-	9-413658-1	1-222246-0	413636-3	3-221128-4
OBSOLETE	⑩	JIS CABLE 3D-2V	4.52	[.178]	1.73	[.068]	58465-3	FIG 1	227194-1	-	9-413658-2	1-222246-0	413636-3	3-221128-2
SUPERSEDED BY 2-221128-5	⑥	RG-180/U, 195/U	4.52	[.178]	1.73	[.068]	58465-3	FIG 1	-	-	9-413658-1	1-222246-3	413636-3	3-221128-0
OBSOLETE	-	⑥	4.52	[.178]	1.73	[.068]	58465-3	FIG 1	227194-1	-	9-413658-2	1-222246-0	413636-3	2-221128-9
	⑥	BELDEN 9907, 89907 & RG-141/U	5.41	[.213]	1.73	[.068]	58465-1	FIG 1	-	-	9-221132-0	1-222246-6	413636-1	2-221128-7
OBSOLETE	⑥	RG-180/U, 195/U	4.52	[.178]	1.73	[.068]	58465-3	FIG 1	-	-	9-413658-1	1-222246-3	413636-3	2-221128-5
	⑥	RG-179/U, 187/U	4.52	[.178]	1.73	[.068]	58465-3	FIG 1	227194-1	-	9-413658-0	1-222246-3	413636-3	2-221128-3
	⑥	RG-174/U, 188/U, 316/U	4.52	[.178]	1.73	[.068]	58465-3	FIG 1	227194-1	-	9-413658-0	1-222246-0	413636-3	2-221128-1
OBSOLETE	⑥	RG-58/U, 58A/U, 58B/U, 58C/U	5.41	[.213]	1.73	[.068]	58465-1	FIG 1	-	-	9-221132-0	222246-5	413636-1	2-221128-0
SUPERSEDED BY 1-221128-2	⑥	BELDEN 8281	8.23	[.324]	1.73	[.068]	58465-2	FIG 1	-	-	9-221132-2	222246-5	413636-4	1-221128-9
	⑥	RG-59/U, 59A/U, 59B/U	6.48	[.255]	1.73	[.068]	58465-1	FIG 1	-	227423-1	9-221132-1	222246-6	413636-2	1-221128-8
	⑥	BELDEN 9266	6.48	[.255]	1.73	[.068]	58465-1	FIG 1	-	-	9-221132-1	222246-2	413636-2	1-221128-7
OBSOLETE	-	BELDEN 9209	6.48	[.255]	1.73	[.068]	58465-1	FIG 1	-	-	9-221132-1	222246-6	413636-5	1-221128-6
SUPERSEDED BY 1-221128-2	⑥	BELDEN 8281	8.23	[.324]	1.73	[.068]	58465-2	FIG 1	-	-	9-221132-2	222246-5	413636-4	1-221128-5
	① ② ③	RG-62/U, 62A/U, 62B/U	6.48	[.255]	1.73	[.068]	58465-1	FIG 2	-	-	9-221132-1	222246-6	413636-2	1-221128-4
	① ② ③	RG-59/U, 59A/U, 59B/U	6.48	[.255]	1.73	[.068]	58465-1	FIG 1	-	227423-1	9-221132-1	222246-6	413636-2	1-221128-4
OBSOLETE	⑥	RG-58/U, 58A/U, 58B/U, 58C/U	5.41	[.213]	1.73	[.068]	58465-1	FIG 1	-	-	9-221132-0	222246-5	413636-1	1-221128-3
OBSOLETE	⑥	BELDEN 8281	8.23	[.324]	1.73	[.068]	58465-2	FIG 1	-	-	9-221132-2	222246-2	413636-4	1-221128-2
	① ② ③	RG-62/U, 62A/U, 62B/U	6.48	[.255]	1.73	[.068]	58465-1	FIG 2	-	-	9-221132-1	222246-4	413636-2	1-221128-1
	⑥	RG-59/U, 59A/U, 59B/U	6.48	[.255]	1.73	[.068]	58465-1	FIG 1	-	-	9-221132-0	222246-2	413636-1	1-221128-0
OBSOLETE	-	BELDEN 8281	8.23	[.324]	1.73	[.068]	58465-2	FIG 1	-	-	9-221132-2	222246-7	413636-4	221128-9
	① ②	RG-62/U, 62A/U, 62B/U	6.48	[.255]	1.73	[.068]	58465-1	FIG 2	-	-	9-221132-1	222246-8	413636-2	221128-8
	① ②	RG-59/U, 59A/U, 59B/U	6.48	[.255]	1.73	[.068]	58465-1	FIG 1	-	227423-1	9-221132-1	222246-6	413636-2	221128-7
OBSOLETE	-	RG-58/U, 58A/U, 58B/U, 58C/U	5.41	[.213]	1.73	[.068]	58465-1	FIG 1	-	-	9-221132-0	222246-5	413636-1	221128-6
SUPERSEDED BY 221128-3	-	BELDEN 8281	8.23	[.324]	1.73	[.068]	58465-2	FIG 1	-	-	9-221132-2	222246-5	413636-4	221128-5
SUPERSEDED BY 221128-2	① ②	RG-62/U, 62A/U, 62B/U	6.48	[.255]	1.73	[.068]	58465-1	FIG 2	-	-	9-221132-1	222246-6	413636-2	221128-4
SUPERSEDED BY 221128-2	① ②	RG-59/U, 59A/U, 59B/U	6.48	[.255]	1.73	[.068]	58465-1	FIG 1	-	227423-1	9-221132-1	222246-6	413636-2	221128-3
SUPERSEDED BY 221128-1	-	RG-58/U, 58A/U, 58B/U, 58C/U	5.41	[.213]	1.73	[.068]	58465-1	FIG 1	-	-	9-221132-0	222246-5	413636-1	221128-2
OBSOLETE	-	BELDEN 8281	8.23	[.324]	1.73	[.068]	58465-2	FIG 1	-	-	9-221132-2	222246-2	413636-4	221128-1
	① ②	RG-62/U, 62A/U, 62B/U	6.48	[.255]	1.73	[.068]	58465-1	FIG 2	-	227423-1	9-221132-1	222246-4	413636-2	221128-2
	① ②	RG-59/U, 59A/U, 59B/U	6.48	[.255]	1.73	[.068]	58465-1	FIG 1	-	-	9-221132-0	222246-2	413636-1	221128-1
	-	RG-58/U, 58A/U, 58B/U, 58C/U	5.41	[.213]	1.73	[.068]	58465-1	FIG 1	-	-	9-221132-0	222246-2	413636-1	221128-1

REMARKS	FOR USE WITH CABLE	FERRULE CONTACT HEX CRIMP HEIGHTS	DIE SET ⑤	STRIP LENGTH ⑤	TUBING QTY=1	④ SPACER QTY=1	③ FERRULE QTY=1	② CONTACT, PLUG QTY=1	① PLUG ASSEMBLY QTY=1	PART NUMBER
---------	--------------------	--------------------------------------	-----------	----------------	--------------	----------------	-----------------	-----------------------	-----------------------	-------------

THIS DRAWING IS A CONTROLLED DOCUMENT.

DIMENSIONS:	TOLERANCES UNLESS OTHERWISE SPECIFIED:
mm [INCHES]	0 PLC ± .01
	1 PLC ± .01
	2 PLC ± .01
	3 PLC ± .01
	4 PLC ± .01
	ANGLES ± .01

DIN 11-18-92	M. E. COWHER
1-29-93	M. PHILLIPS
1-29-93	M. PHILLIPS

PLUG, COMMERCIAL BNC

SIZE: A1 CAGE CODE: 00779 DRAWING NO: 221128

CUSTOMER DRAWING SCALE: 4:1 SHEET: 1 OF 1 REV: AD2