



Chipsmall Limited consists of a professional team with an average of over 10 year of expertise in the distribution of electronic components. Based in Hongkong, we have already established firm and mutual-benefit business relationships with customers from,Europe,America and south Asia,supplying obsolete and hard-to-find components to meet their specific needs.

With the principle of “Quality Parts,Customers Priority,Honest Operation,and Considerate Service”,our business mainly focus on the distribution of electronic components. Line cards we deal with include Microchip,ALPS,ROHM,Xilinx,Pulse,ON,Everlight and Freescale. Main products comprise IC,Modules,Potentiometer,IC Socket,Relay,Connector.Our parts cover such applications as commercial,industrial, and automotives areas.

We are looking forward to setting up business relationship with you and hope to provide you with the best service and solution. Let us make a better world for our industry!



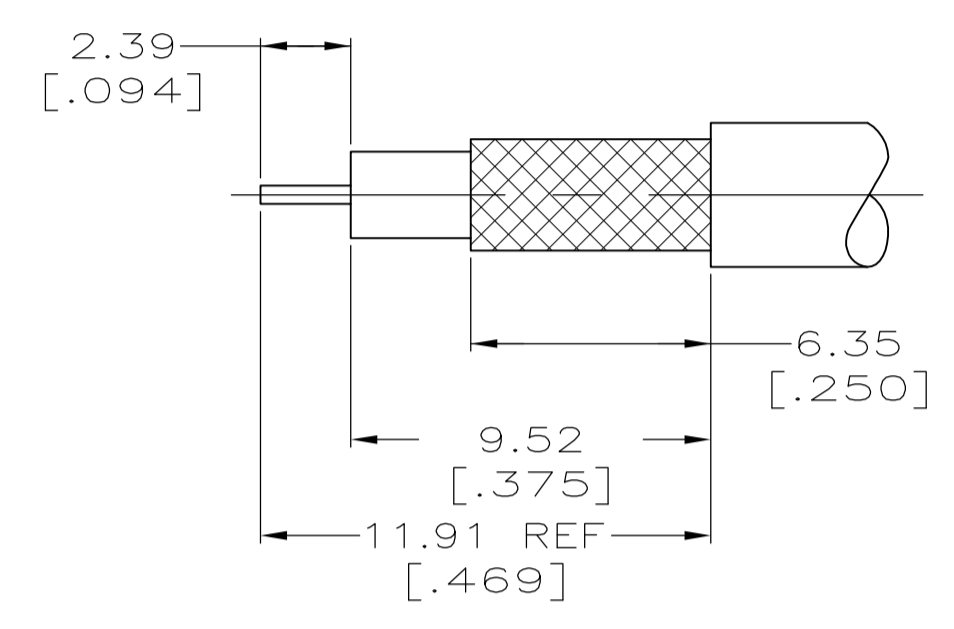
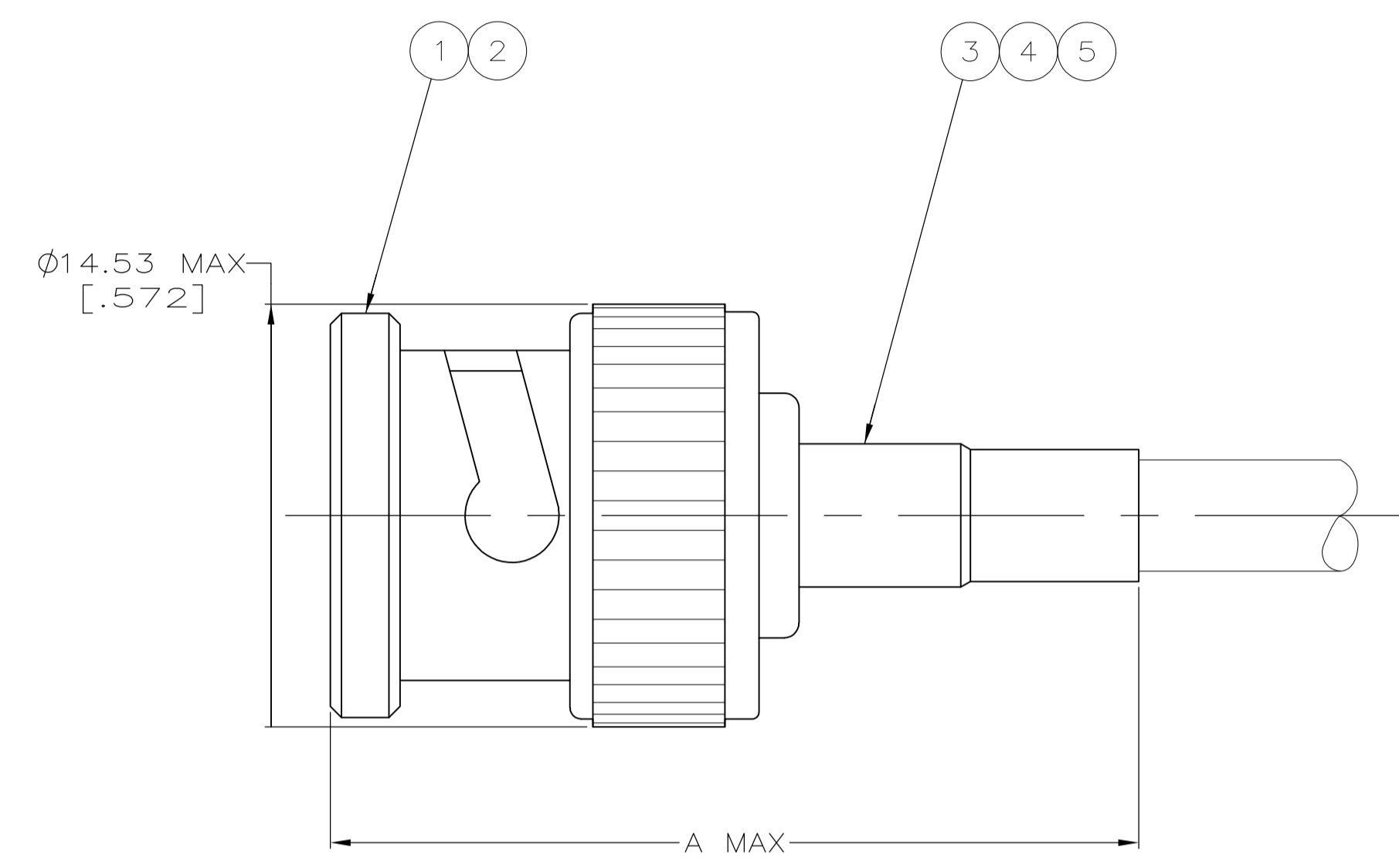
Contact us

Tel: +86-755-8981 8866 Fax: +86-755-8427 6832

Email & Skype: info@chipsmall.com Web: www.chipsmall.com

Address: A1208, Overseas Decoration Building, #122 Zhenhua RD., Futian, Shenzhen, China





RECOMMENDED STRIP LENGTH

- USE INSTRUCTION SHEET 408-9088
- SPECIAL USE OF PRO-CRIMPER HAND TOOL AND DIE, USE RG-59 SQUARE CRIMP ON THE CENTER CONTACT AND RG-58 ROUND CRIMP ON THE FERRULE
- SEE SEPARATE RESTRICTED CUSTOMER DRAWING WITH THIS PART NUMBER

OBSOLETE	RG-59 TYPE,C.C=.031 DIA,CAROL COLUMBIA,C1103	27.69	[1.090]	.044	.240	354940-1	58536-1	-	-	9-50428-0	1-221182-0	221184-2	9-221185-4
OBSOLETE	RG-179/U,179A/U,179B/U,187/U,187A/U	28.96	[1.140]	.044	.104/.170	354940-1	318451-2	227194-2	222001-4	9-328666-0	1-221182-2	221184-3	9-221185-3
OBSOLETE	RG-6/U,6A/U	37.85	[1.490]	.044	.330	354940-1	58538-1	-	-	9-51713-1	1-221182-0	221184-5	9-221185-2
OBSOLETE	RG-59/U,59A/U,59B/U	27.69	[1.090]	.044	.240	354940-1	58536-1	-	-	9-50428-0	221182-2	221184-2	9-221185-1
OBSOLETE	BELDEN 9248	27.69	[1.090]	.044	.265	354940-1	58536-1	-	-	9-50427-0	221182-8	221184-1	9-221185-0
	BELDEN 643948	29.72	[1.170]	.044	.240	354940-1	58435-1	-	-	9-221132-0	1-221182-0	221184-8	3-221185-6
OBSOLETE	BELDEN 633938	27.69	[1.090]	.044	.265	354940-1	58536-1	-	-	9-50428-0	221182-8	221184-1	3-221185-5
	C&M 17189	28.96	[1.140]	.044	.104/.170	354940-1	318451-2	414932-2	-	9-328666-0	1-221182-6	221184-3	3-221185-4
OBSOLETE	BELDEN 88281	27.69	[1.090]	.044	.330	354940-1	58538-1	-	-	9-221132-2	1-221182-0	221184-1	3-221185-3
	COMSCOPE F59 HEC-2	28.96	[1.140]	.044	.265	354940-1	58536-1	-	-	9-50427-0	1-221182-0	221184-2	3-221185-1
OBSOLETE	COMM/SCOPE S59HEC	28.96	[1.140]	.044	.265	354940-1	58536-1	-	-	9-50427-0	221182-2	221184-6	2-221185-9
	MADISON 9292, 9296 OR MONTROSE 8686, 8687	28.96	[1.140]			58433-1	58435-1	-	-	9-50427-1	221182-2	221184-7	2-221185-8
OBSOLETE	RG-59 TYPE,C.C=.031 DIA,CAROL COLUMBIA,C1103	27.69	[1.090]	.044	.240	354940-1	58536-1	-	-	9-50428-0	1-221182-0	221184-2	2-221185-7
	BELDEN 8281, 9231	31.75	[1.250]	.044	.330	354940-1	58538-1	-	-	9-50427-2	1-221182-0	221184-4	2-221185-6
OBSOLETE	MADISON 9292, 9296 OR MONTROSE 8686, 8687	28.96	[1.140]	-	-	58433-1	58435-1	-	-	9-50427-1	221182-2	221184-7	2-221185-5
OBSOLETE	C&M CABLE 25785	28.96	[1.140]	-	-	354940-1	58304-4	-	-	3-328666-6	221182-4	221184-6	2-221185-4
	MONTROSE CBL8196	28.96	[1.140]	.044	NOT ROUND	354940-1	58174-1	-	-	9-329461-2	221182-2	221184-3	2-221185-3
OBSOLETE	ERICSSON T2C	28.96	[1.140]	-	-	354940-1	58304-3	-	-	1-221182-2	221182-2	221184-3	2-221185-2
OBSOLETE	CUSTOM CABLE (JOD=.105, DOD=.062, COD=.015)	28.96	[1.140]	.044	.104/.170	354940-1	318451-2	227194-2	222001-4	9-328666-0	221182-6	221184-3	2-221185-0
SUPERSEDED BY 221185-5	GEPCO VP6000	30.20	[1.189]	-	30.20 [1.189]	354940-1	220189-7	-	-	9-221132-2	1-221182-0	221184-4	1-221185-9
	AT&T 735A	28.96	[1.140]	.044	NOT ROUND	354940-1	58174-1	-	-	9-328666-2	221182-6	221184-3	1-221185-8
OBSOLETE	RG-6 TYPE	37.85	[1.490]	-	-	354940-1	220189-7	-	-	9-51713-1	1-221182-6	221184-5	1-221185-7
SUPERSEDED BY 221185-1	MADISON CABLE TYPE CL2P WITH 18 AWG CENTER CONDUCTOR	27.69	[1.090]	-	-	354940-1	58086-1	-	-	9-50427-0	221182-8	221184-1	1-221185-6
	BELDEN 1164A, 1167A	28.45	[1.120]	.044	NOT ROUND	354940-1	58174-1	-	-	9-329461-0	1-221182-6	221184-3	1-221185-5
OBSOLETE	AT&T KS 19224 L2 CABLE	28.96	[1.140]	-	-	354940-1	58174-1	227194-2	222001-4	9-328666-2	1-221182-2	221184-3	1-221185-4
OBSOLETE	ASTRO 20-435-B OR 20-405-E	28.96	[1.140]	.044	NOT ROUND	354940-1	58174-1	227194-2	222001-4	9-329461-0	1-221182-2	221184-3	1-221185-2
OBSOLETE	RG-59/U,59A/U,59B/U	27.69	[1.090]	.044	.240	354940-1	58536-1	-	-	9-50428-0	221182-2	221184-2	1-221185-1
	BELDEN 9145	27.69	[1.090]	.044	.240	354940-1	58536-1	-	-	9-50428-1	1-221182-0	221184-2	1-221185-0
	RG-59 TYPE,C.C=.031 DIA,CAROL COLUMBIA,C1103	27.69	[1.090]	.044	.240	354940-1	58536-1	-	-	9-50428-0	1-221182-0	221184-2	221185-9
	RG-179/U,179A/U,179B/U,187/U,187A/U	28.96	[1.140]	.044	.104/.170	354940-1	318451-2	227194-2	222001-4	9-328666-0	1-221182-2	221184-3	221185-8
OBSOLETE	RG-6/U,6A/U	37.85	[1.490]	.044	.330	354940-1	58538-1	-	-	9-51713-1	1-221182-0	221184-5	221185-7
OBSOLETE	TIMES RG-59/U DOUBLE BRAID WITH .270 O.D.	27.69	[1.090]	-	-	354940-1	58086-1	-	-	9-50427-0	221182-2	221184-2	221185-6
	BELDEN 8281, 8281F, 9231 AND GEPCO VP6000	31.75	[1.250]	.044	.330	354940-1	58538-1	-	-	9-221132-2	1-221182-0	221184-4	221185-5
OBSOLETE	BELDEN 8218	28.45	[1.120]	.044	NOT ROUND	354940-1	58174-1	-	-	9-329461-0	221182-6	221184-3	221185-3
	RG-59/U,59A/U,59B/U	27.69	[1.090]	.044	.240	354940-1	58536-1	-	-	9-50428-0	221182-2	221184-2	221185-2
	BELDEN 9248	27.69	[1.090]	.044	.265	354940-1	58536-1	-	-	9-50427-0	221182-8	221184-1	221185-1

FOR USE WITH CABLE A CRIMP CONTACT (SQUARED) CRIMP FERRULE (DIA) CRIMP TOOL DIE SET ⑤ PLASTIC TUBING QTY=1 ④ TUBING QTY=1 ③ FERRULE QTY=1 ② CONTACT QTY=1 ① PLUG ASSY QTY=1 PART NUMBER

THIS DRAWING IS A CONTROLLED DOCUMENT.

DIMENSIONS: mm [INCHES]	TOLERANCES UNLESS OTHERWISE SPECIFIED:	DIN B WERNER 1-17-90	REV D LAMAN 2-15-90	 TE Connectivity
0 PLC ± -	1 PLC ± -	APVD M PHILLIPS 2-16-90	NAME	
2 PLC ± 0.41 [0.016]	3 PLC ± -	SIZE	CAGE CODE	DRAWING NO
4 PLC ± -	ANGLES ± -	WEIGHT	A1	00779
MATERIAL	FINISH	RESTRICTED TO	CUSTOMER DRAWING	

PLUG, 75 Ohm, COMMERCIAL BNC
APPLICATION SPEC 108-12095
SCALE 5:1 SHEET 1 OF 1 REV AV4