



Chipsmall Limited consists of a professional team with an average of over 10 year of expertise in the distribution of electronic components. Based in Hongkong, we have already established firm and mutual-benefit business relationships with customers from,Europe,America and south Asia,supplying obsolete and hard-to-find components to meet their specific needs.

With the principle of "Quality Parts,Customers Priority,Honest Operation,and Considerate Service",our business mainly focus on the distribution of electronic components. Line cards we deal with include Microchip,ALPS,ROHM,Xilinx,Pulse,ON,Everlight and Freescale. Main products comprise IC,Modules,Potentiometer,IC Socket,Relay,Connector.Our parts cover such applications as commercial,industrial, and automotives areas.

We are looking forward to setting up business relationship with you and hope to provide you with the best service and solution. Let us make a better world for our industry!



Contact us

Tel: +86-755-8981 8866 Fax: +86-755-8427 6832

Email & Skype: info@chipsmall.com Web: www.chipsmall.com

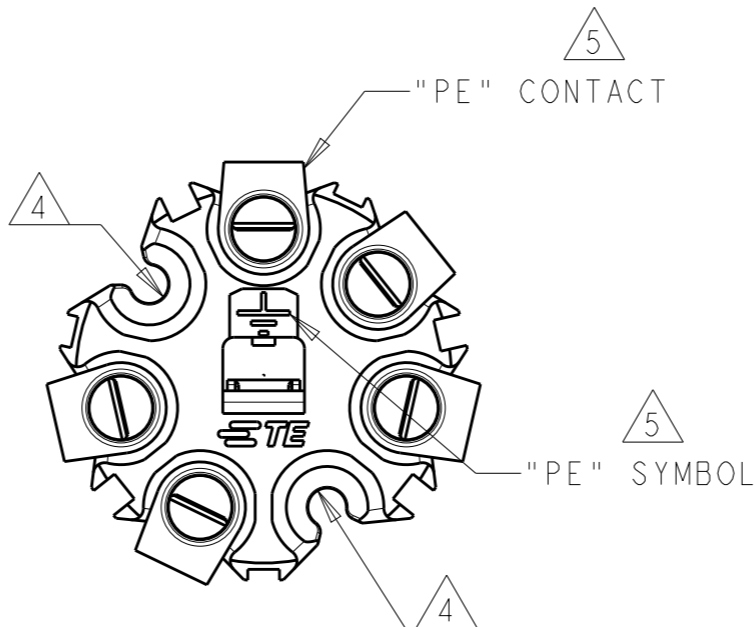
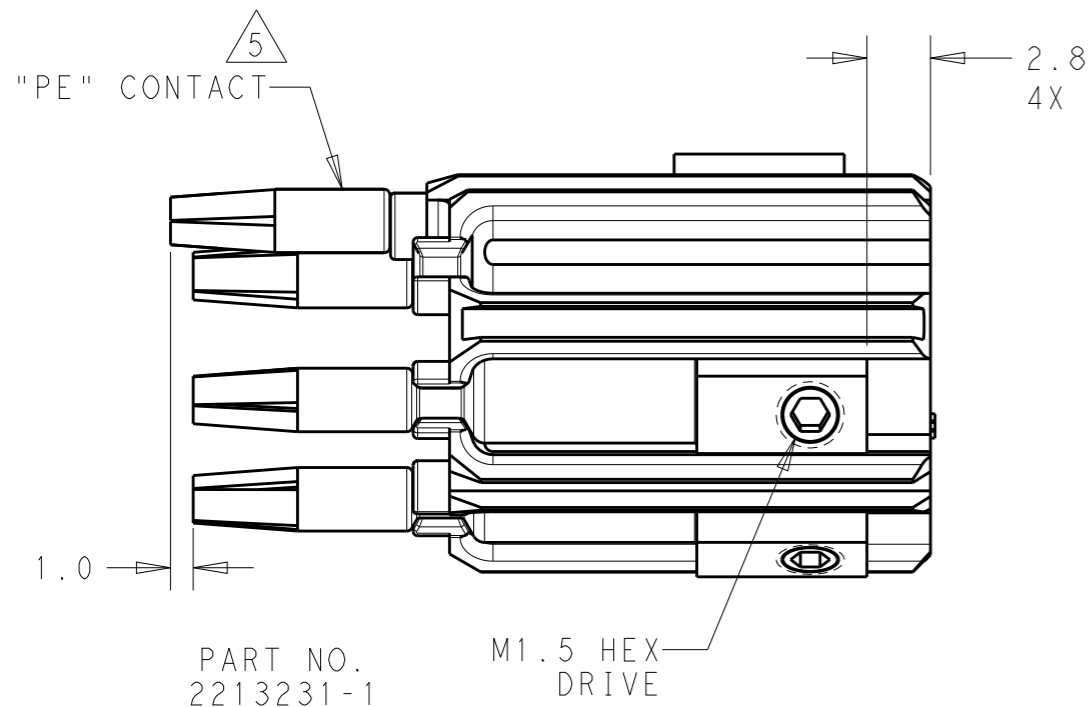
Address: A1208, Overseas Decoration Building, #122 Zhenhua RD., Futian, Shenzhen, China



THIS DRAWING IS UNPUBLISHED. RELEASED FOR PUBLICATION 20
 © COPYRIGHT 20 BY - ALL RIGHTS RESERVED.

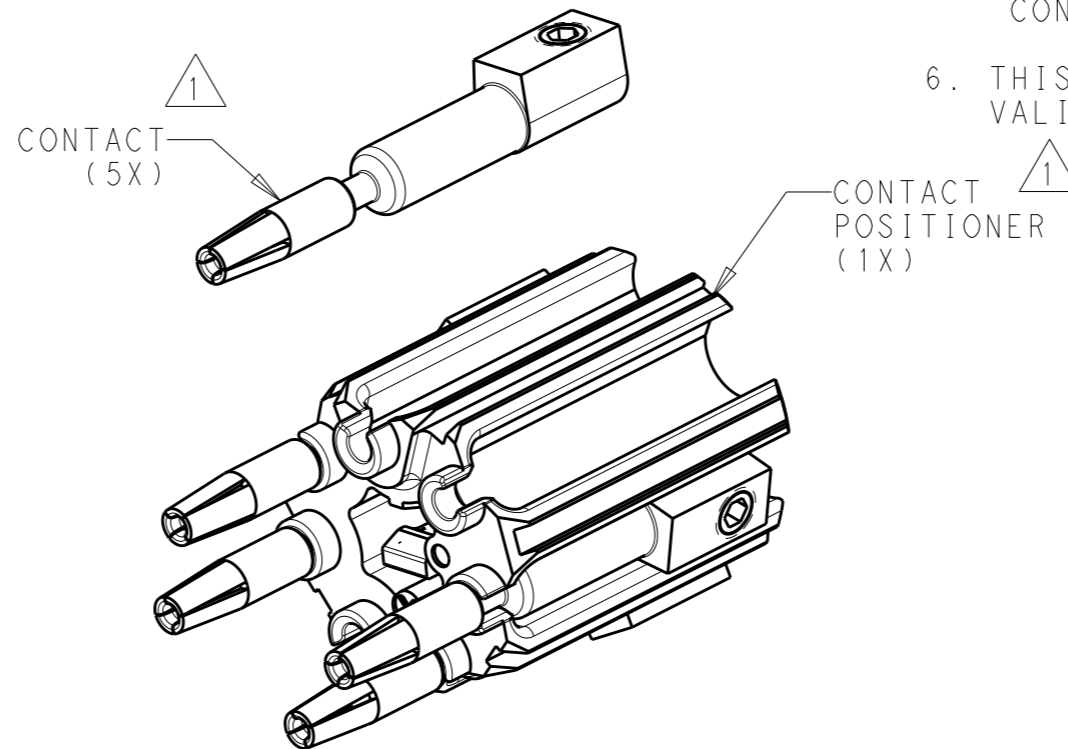
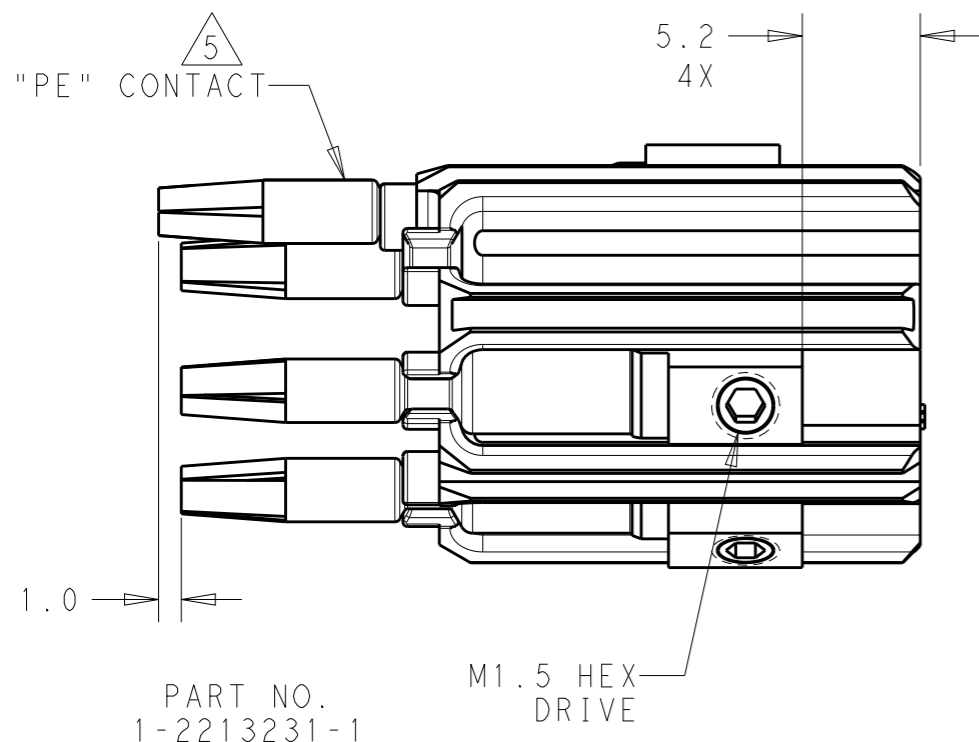
REVISIONS

P	LTR	DESCRIPTION	DATE	DWN	APVD
	A	REVISED AS PER ECR-15-005925	21APR2015	RS	JL
	A1	REVISED AS PER ECR-15-011749	10AUG2015	RS	JL




NOTES:

- 1 MATERIALS:
 CONTACTS: COPPER ALLOY, TIN PLATE
 CONTACT POSITIONER: GLASS FILLED PBT, COLOR BLACK
- 2. MUST COMPLY WITH DIRECTIVE 2002/95/EC (ROHS)
- 3. CONTACTS (5X) ARE PRE-ASSEMBLED INTO CONTACT POSITIONER AS SHOWN.
- 4 CONTACTS ARE NOT INSTALLED INTO THE INDICATED CONTACT SLOTS
- 5 "PE" SYMBOL ALIGNS WITH "PE" CONTACT AS SHOWN
- 6. THIS PRODUCT HAS NOT COMPLETED VALIDATION TESTING



IEC(DEKRA)	1-2213231-1
UL	2213231-1
AGENCY APPROVALS	PART NO.

THIS DRAWING IS A CONTROLLED DOCUMENT.		DWN J. SHAFFER 16JAN2014	 TE Connectivity	
DIMENSIONS: mm		CHK M. LUKSIC 16JAN2014		
TOLERANCES UNLESS OTHERWISE SPECIFIED:		APVD M. LUKSIC 16JAN2014	NAME	
0 PLC ±-		PRODUCT SPEC 108-133014	SCREW TERMINAL SOCKET CONTACTS ASSY, 5 POSN, NECTOR M-LINE, SEALED	
1 PLC ±0.2		APPLICATION SPEC 114-32111	SIZE A3	CAGE CODE -
2 PLC ±0.13		WEIGHT -	DRAWING NO. C-2213231	RESTRICTED TO -
3 PLC ±-		Customer Drawing	SCALE 1:1	SHEET 1 OF 1
4 PLC ±-				REV A1
ANGLES ±-				
FINISH -				
MATERIAL NOTE 1				