



Chipsmall Limited consists of a professional team with an average of over 10 year of expertise in the distribution of electronic components. Based in Hongkong, we have already established firm and mutual-benefit business relationships with customers from,Europe,America and south Asia,supplying obsolete and hard-to-find components to meet their specific needs.

With the principle of “Quality Parts,Customers Priority,Honest Operation,and Considerate Service”,our business mainly focus on the distribution of electronic components. Line cards we deal with include Microchip,ALPS,ROHM,Xilinx,Pulse,ON,Everlight and Freescale. Main products comprise IC,Modules,Potentiometer,IC Socket,Relay,Connector.Our parts cover such applications as commercial,industrial, and automotives areas.

We are looking forward to setting up business relationship with you and hope to provide you with the best service and solution. Let us make a better world for our industry!



## Contact us

Tel: +86-755-8981 8866 Fax: +86-755-8427 6832

Email & Skype: info@chipsmall.com Web: www.chipsmall.com

Address: A1208, Overseas Decoration Building, #122 Zhenhua RD., Futian, Shenzhen, China

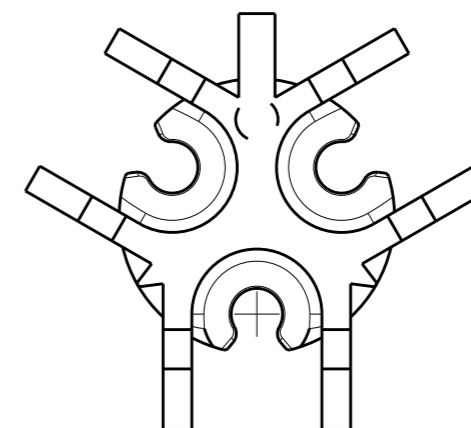
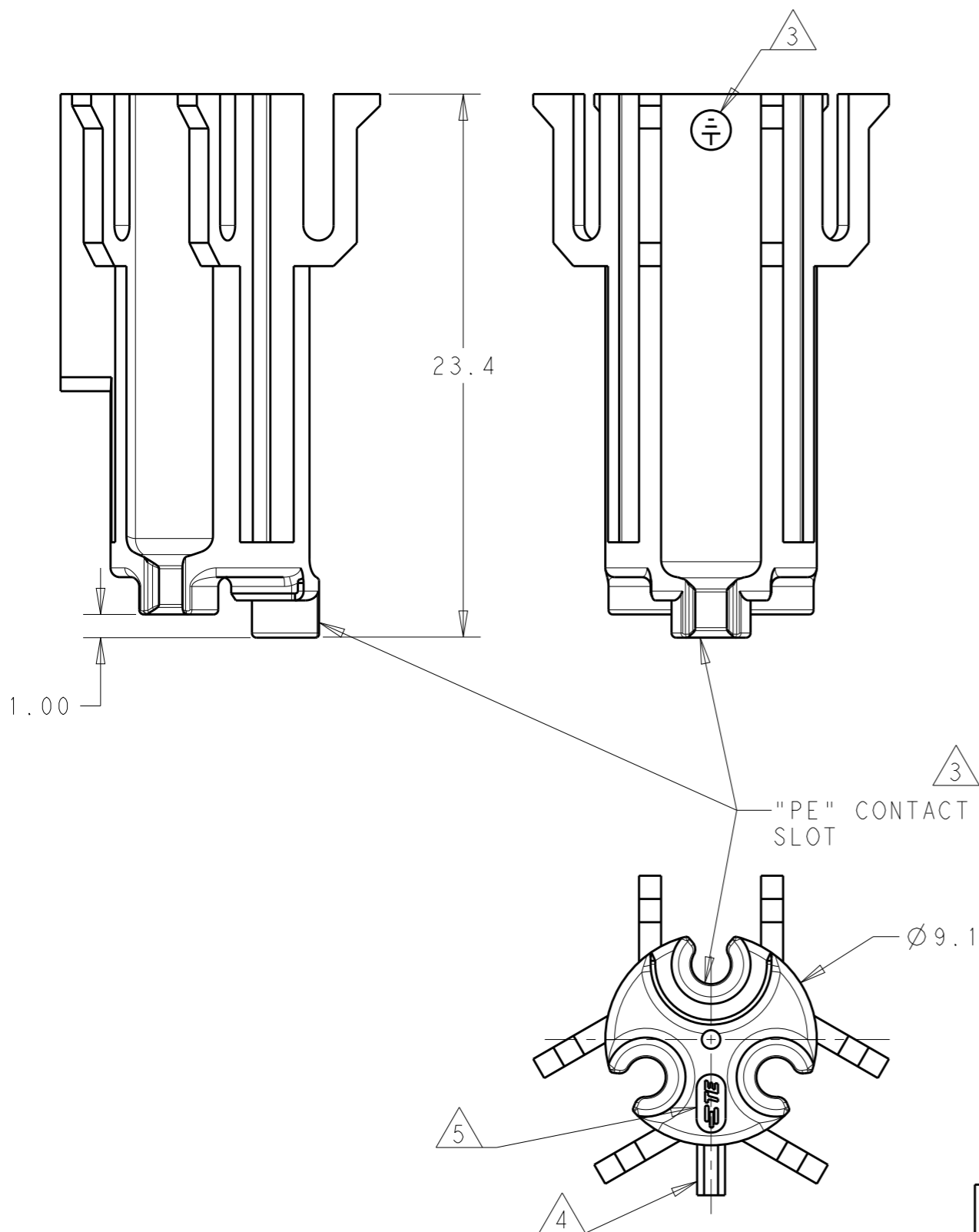


REVISIONS

P	LTR	DESCRIPTION	DATE	DWN	APVD
	A	REVISED AS PER ECR-15-005925	21APR2015	RS	JL
	B	REVISED AS PER ECR-15-011156	31JUL2015	RS	JL


NOTES:

1. MATERIAL: GLASS FILLED PBT, COLOR BLACK
2. MUST COMPLY WITH DIRECTIVE 2002/95/EC (ROHS).
3. "PE" SYMBOL IDENTIFIES "PE" CONTACT SLOT.
4. ASSEMBLY "KEY" ALIGNS WITH "PE" CONTACT SLOT AS SHOWN.
5. TE LOGO
6. THIS PRODUCT HAS NOT COMPLETED VALIDATION TESTING.



1-2213396-1 SHOWN

UL + IEC (DEKRA)	1-2213396-1
AGENCY APPROVALS	PART NO.

THIS DRAWING IS A CONTROLLED DOCUMENT.		DWN J. SHAFFER 31MAR2014	 TE Connectivity	
DIMENSIONS: mm		CHK M. LUKSIC 31MAR2014		
TOLERANCES UNLESS OTHERWISE SPECIFIED:		APVD M. LUKSIC 31MAR2014	NAME POSITIONER FOR CONTACTS NECTOR M-LINE; 3 POSITION	
0 PLC ±-		PRODUCT SPEC 108-133014	SIZE A3	
1 PLC ±0.2		APPLICATION SPEC 114-32111	CAGE CODE -	DRAWING NO C-2213396
2 PLC ±0.13		WEIGHT -	RESTRICTED TO -	
3 PLC ±-		SCALE 2:1		
4 PLC ±-		SHEET 1 OF 1		
ANGLES ±		REV B		
FINISH -		Customer Drawing		
MATERIAL SEE NOTE				