



Chipsmall Limited consists of a professional team with an average of over 10 year of expertise in the distribution of electronic components. Based in Hongkong, we have already established firm and mutual-benefit business relationships with customers from,Europe,America and south Asia,supplying obsolete and hard-to-find components to meet their specific needs.

With the principle of “Quality Parts,Customers Priority,Honest Operation,and Considerate Service”,our business mainly focus on the distribution of electronic components. Line cards we deal with include Microchip,ALPS,ROHM,Xilinx,Pulse,ON,Everlight and Freescale. Main products comprise IC,Modules,Potentiometer,IC Socket,Relay,Connector.Our parts cover such applications as commercial,industrial, and automotives areas.

We are looking forward to setting up business relationship with you and hope to provide you with the best service and solution. Let us make a better world for our industry!



## Contact us

Tel: +86-755-8981 8866 Fax: +86-755-8427 6832

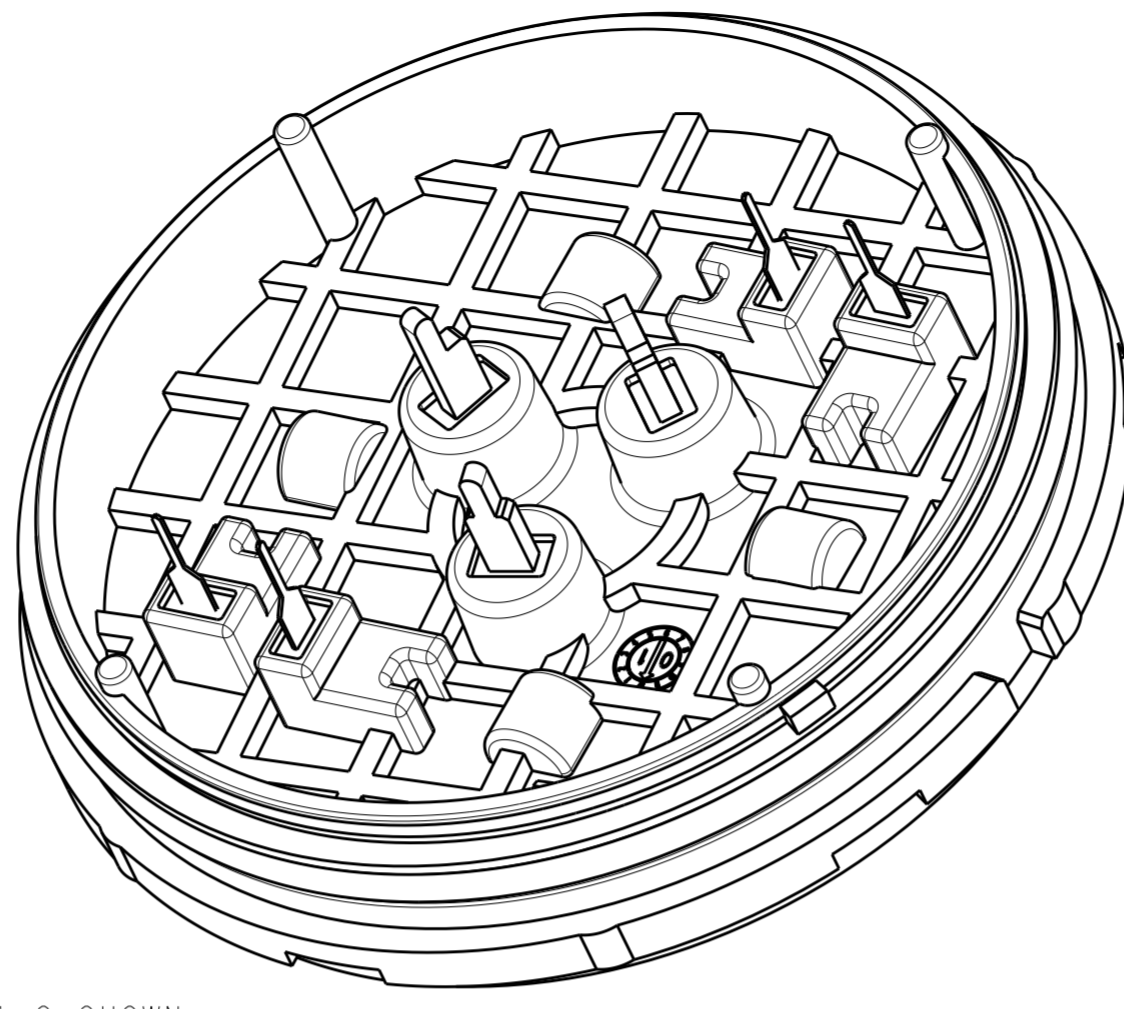
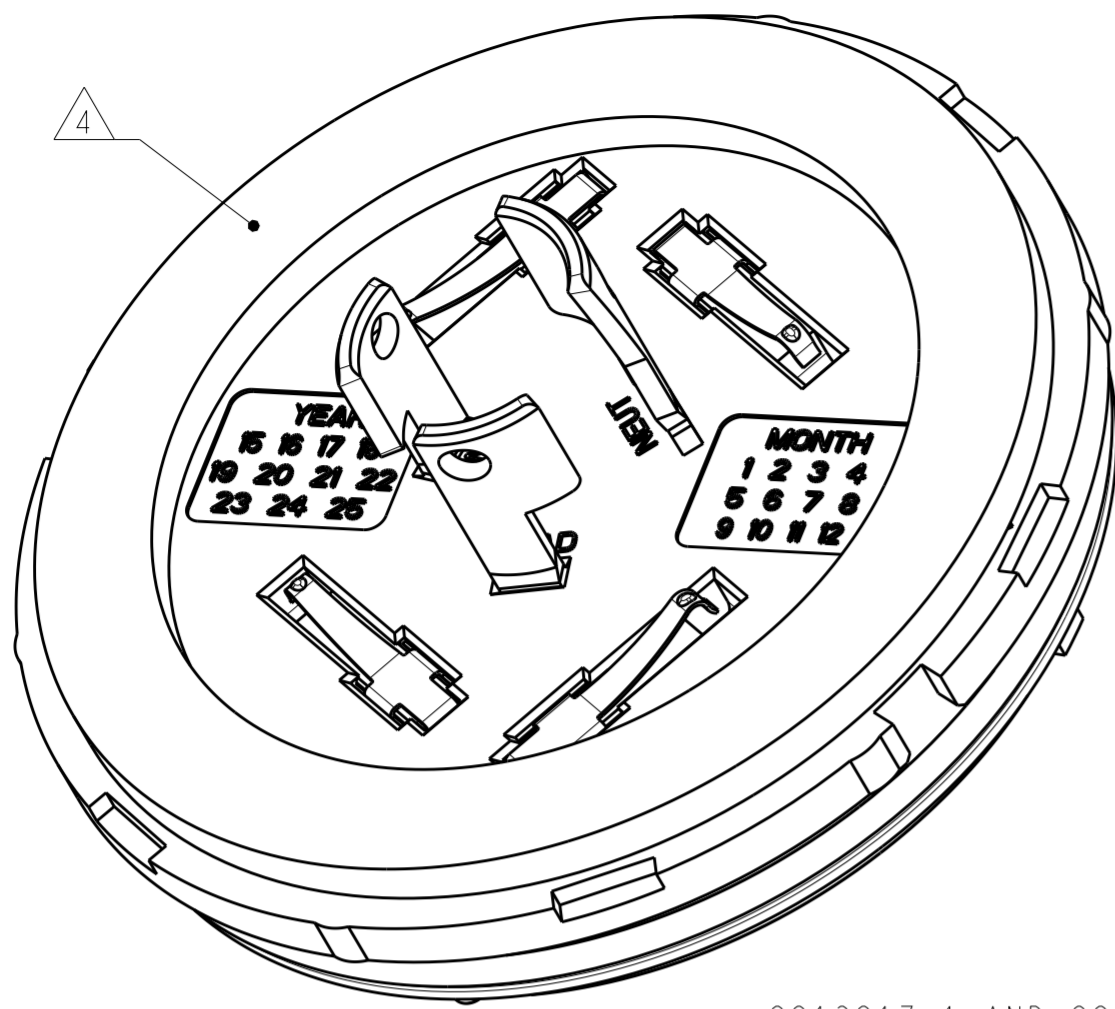
Email & Skype: info@chipsmall.com Web: www.chipsmall.com

Address: A1208, Overseas Decoration Building, #122 Zhenhua RD., Futian, Shenzhen, China

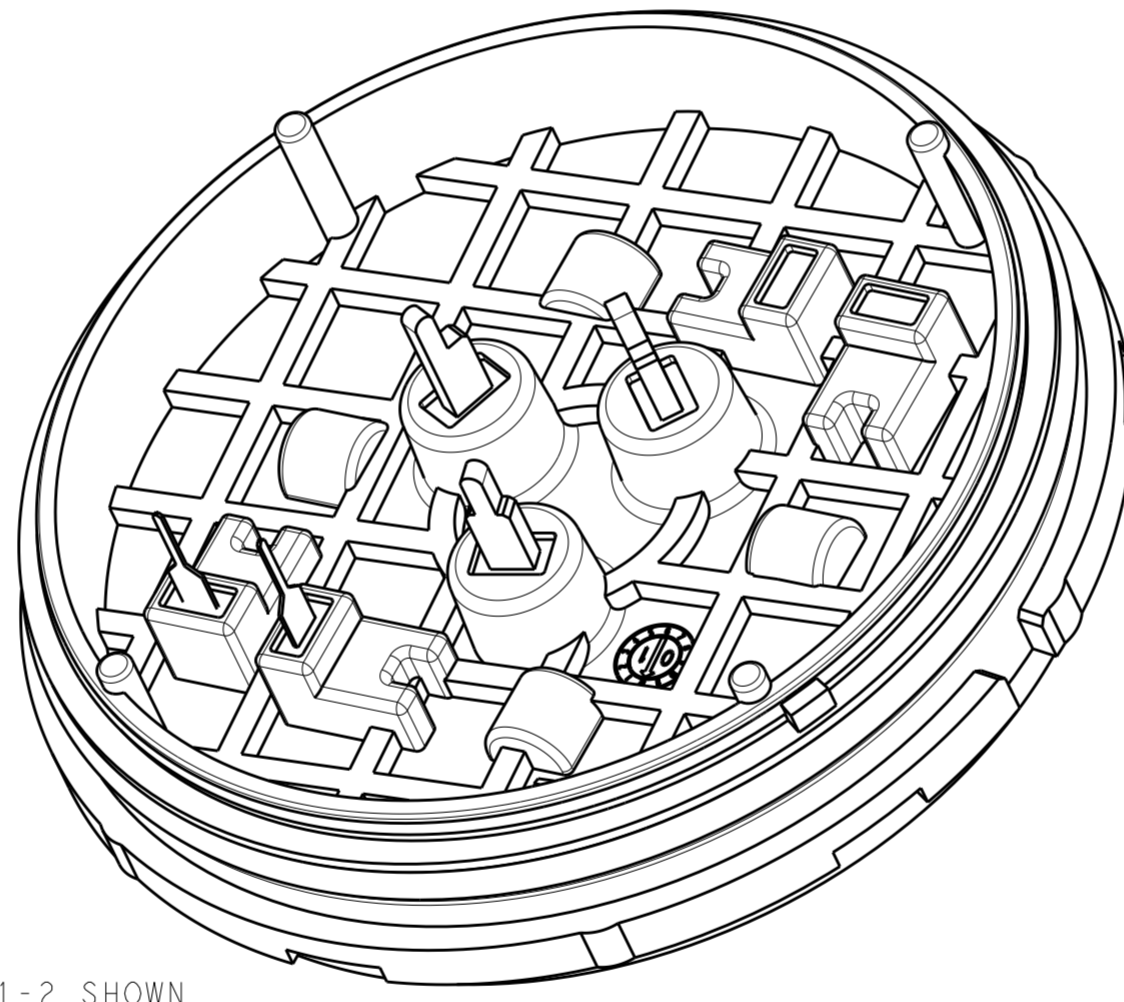
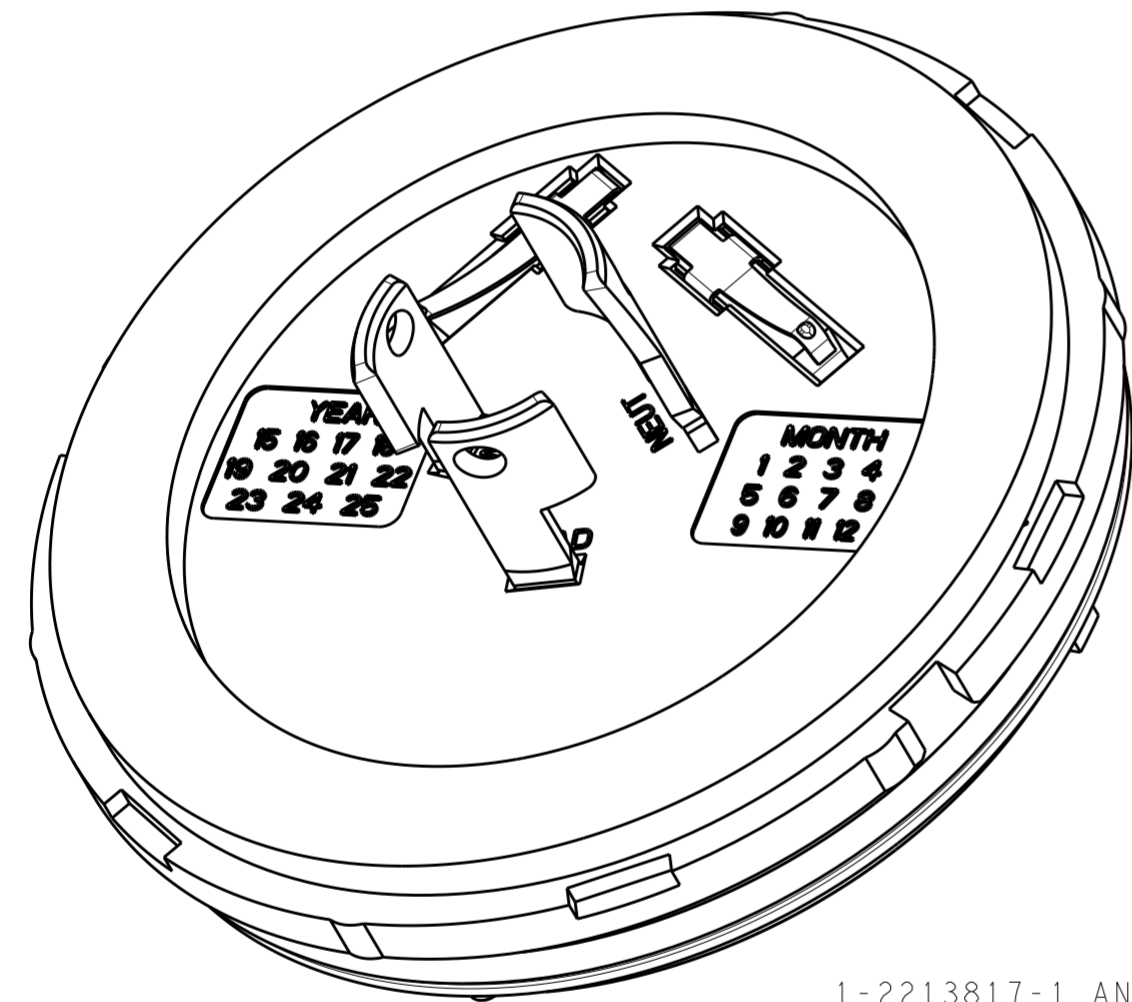


THIS DRAWING IS UNPUBLISHED. RELEASED FOR PUBLICATION 20  
 © COPYRIGHT 20 BY - ALL RIGHTS RESERVED.

REVISIONS					
P	LTR	DESCRIPTION	DATE	DWN	APVD
A		REVISED PER ECO-17-009928	11JUL2017	SK	DD
A1		REVISED PER ECO-17-016212	06NOV2017	RK	DD
A2		REVISED PER ECO-18-007018	09MAY2018	SR	DD



2213817-1 AND 2213871-2 SHOWN



1-2213817-1 AND 1-2213871-2 SHOWN

- 1 MATERIALS:  
 HOUSING: PBT  
 DIMMING CONTACTS (QTY. 4): COPPER ALLOY  
 LINE VOLTAGE CONTACTS (QTY. 3): COPPER ALLOY  
 GASKET: CROSS-LINKED POLYETHYLENE  
 O-RING: SILICONE RUBBER
- 2 FINISH:  
 DIMMING CONTACTS: NICKEL UNDERPLATE ENTIRE  
 CONTACT 0.127 µm MIN THICK. SELECTIVE GOLD PLATE CONTACT  
 MATING AREA (MATING FACE SIDE ONLY) 0.76 µm MIN THICK.  
 MATTE TIN PLATE TAB ON BOTH SIDES 0.30 µm MIN THICK.  
 LINE VOLTAGE CONTACTS: MATTE TIN PLATE
- 3 MATING INTERFACE PER ANSI C136.41-2013.
- 4 ADHESIVE BACKED GASKET SUPPLIED BUT NOT INSTALLED.
- 5 ADDITIONAL COVERS AND SLEEVES OF VARIOUS HEIGHTS ARE AVAILABLE. CONTACT TE CONNECTIVITY FOR MORE OPTIONS.
- 6. NOTE DELETED.
- 7. THIS PRODUCT HAS NOT COMPLETED VALIDATION TESTING.

2213996-X	2306130-X	5	Ø82.24	Ø78.54	Ø70.70	Ø72.25	Ø77.53	Ø77.74	Ø81.15	1-2213871-2
2213996-X	2306130-X	7	Ø82.24	Ø78.54	Ø70.70	Ø72.25	Ø77.53	Ø77.74	Ø81.15	2213871-2
2213805-X	2213748-X	5	Ø77.00	Ø76.96	Ø65.00	Ø66.75	Ø71.23	Ø72.00	Ø76.00	1-2213871-1
2213805-X	2213748-X	7	Ø77.00	Ø76.96	Ø65.00	Ø66.75	Ø71.23	Ø72.00	Ø76.00	2213871-1
REPRESENTATIVE SLEEVE P/N <span style="border: 1px solid black; padding: 1px;">5</span>	REPRESENTATIVE COVER P/N <span style="border: 1px solid black; padding: 1px;">5</span>	CONTACT POSITIONS	DIM Y	DIM X	DIM N	DIM M MAX WITH SLEEVE	DIM M MAX W/OUT SLEEVE	DIM F	DIM E	PART NO.

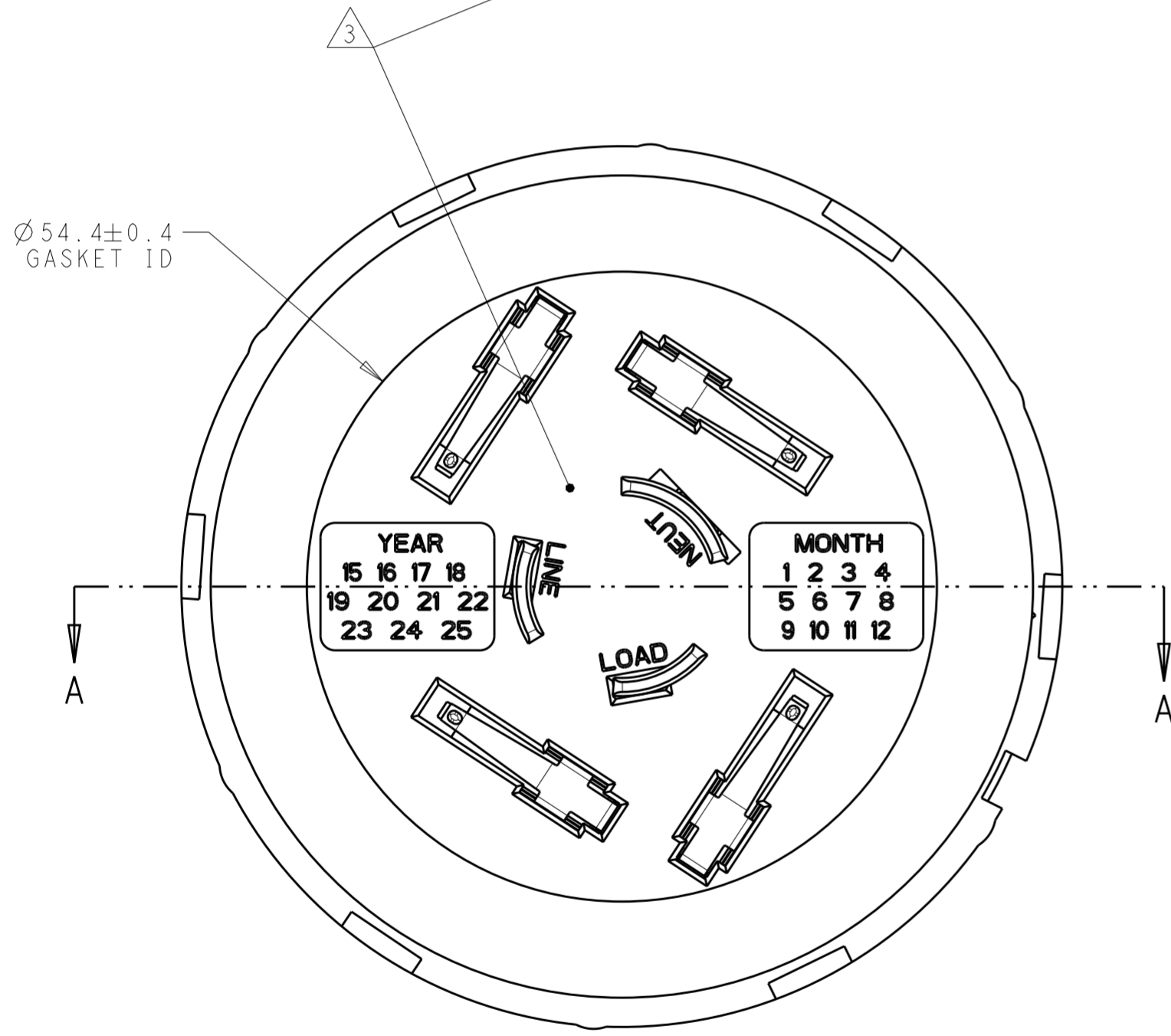
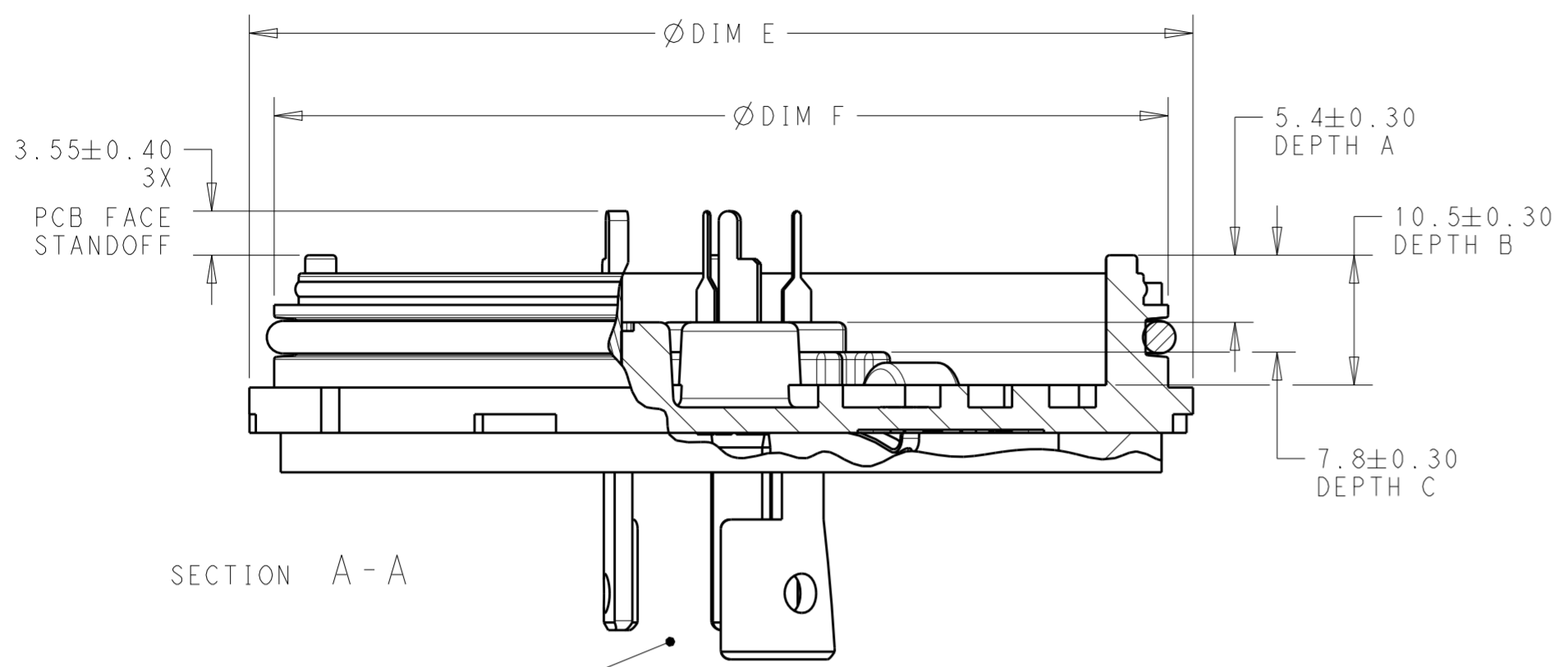
THIS DRAWING IS A CONTROLLED DOCUMENT.

DIMENSIONS:	TOLERANCES UNLESS OTHERWISE SPECIFIED:	DWN	23MAR2016
mm	0 PLC ±	J. SHAFFER	
	1 PLC ±0.2	CHK	23MAR2016
	2 PLC ±0.13	E. HOWARD	
	3 PLC ±	APVD	-
	4 PLC ±	PRODUCT SPEC	108-32125
	ANGLES ±3°	APPLICATION SPEC	114-32159
	FINISH	WEIGHT	
MATERIAL		CUSTOMER DRAWING	

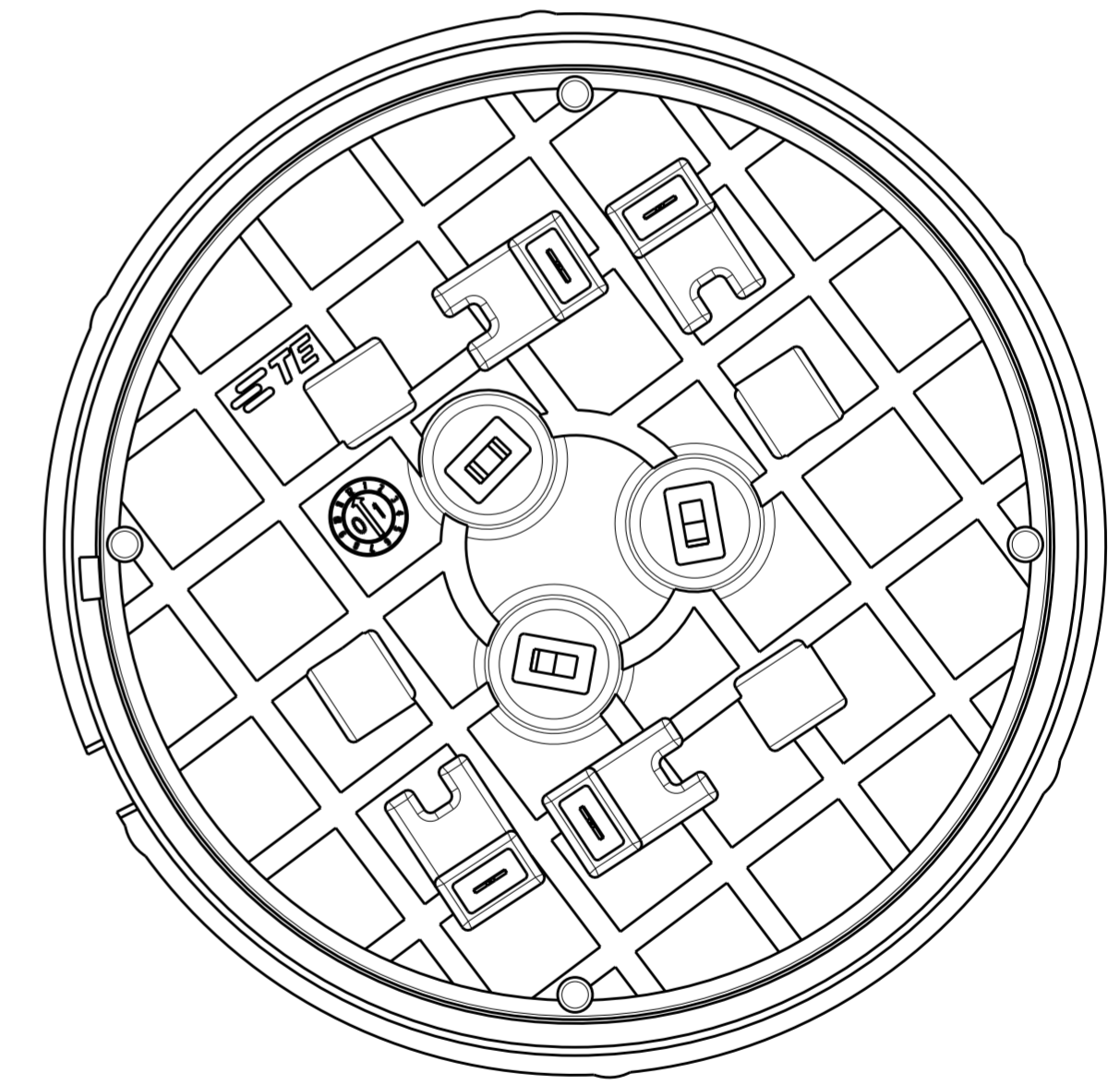
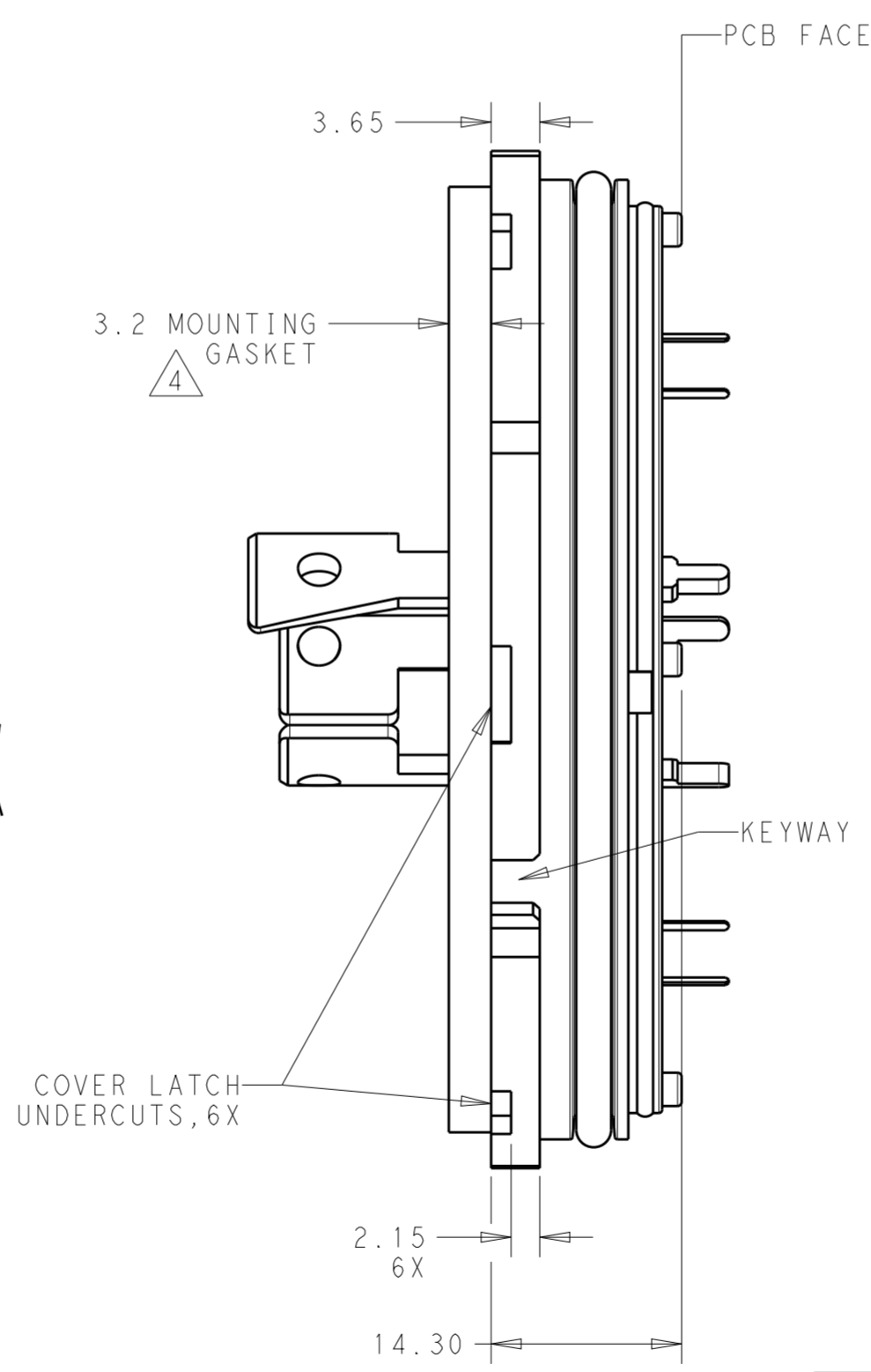
<b>STE</b> TE Connectivity	
NAME	BASE ASSEMBLY, LIGHT CONTROLLER, SLEEVE COMPATIBLE
SIZE	A2
CAGE CODE	-
DRAWING NO	G-2213871
RESTRICTED TO	-
SCALE	2:1
SHEET	1 OF 5
REV	A2

THIS DRAWING IS UNPUBLISHED. RELEASED FOR PUBLICATION 20  
 © COPYRIGHT 20 BY - ALL RIGHTS RESERVED.

REVISIONS				
P	LTR	DESCRIPTION	DATE	APVD
-	-	SEE SHEET 1	-	-



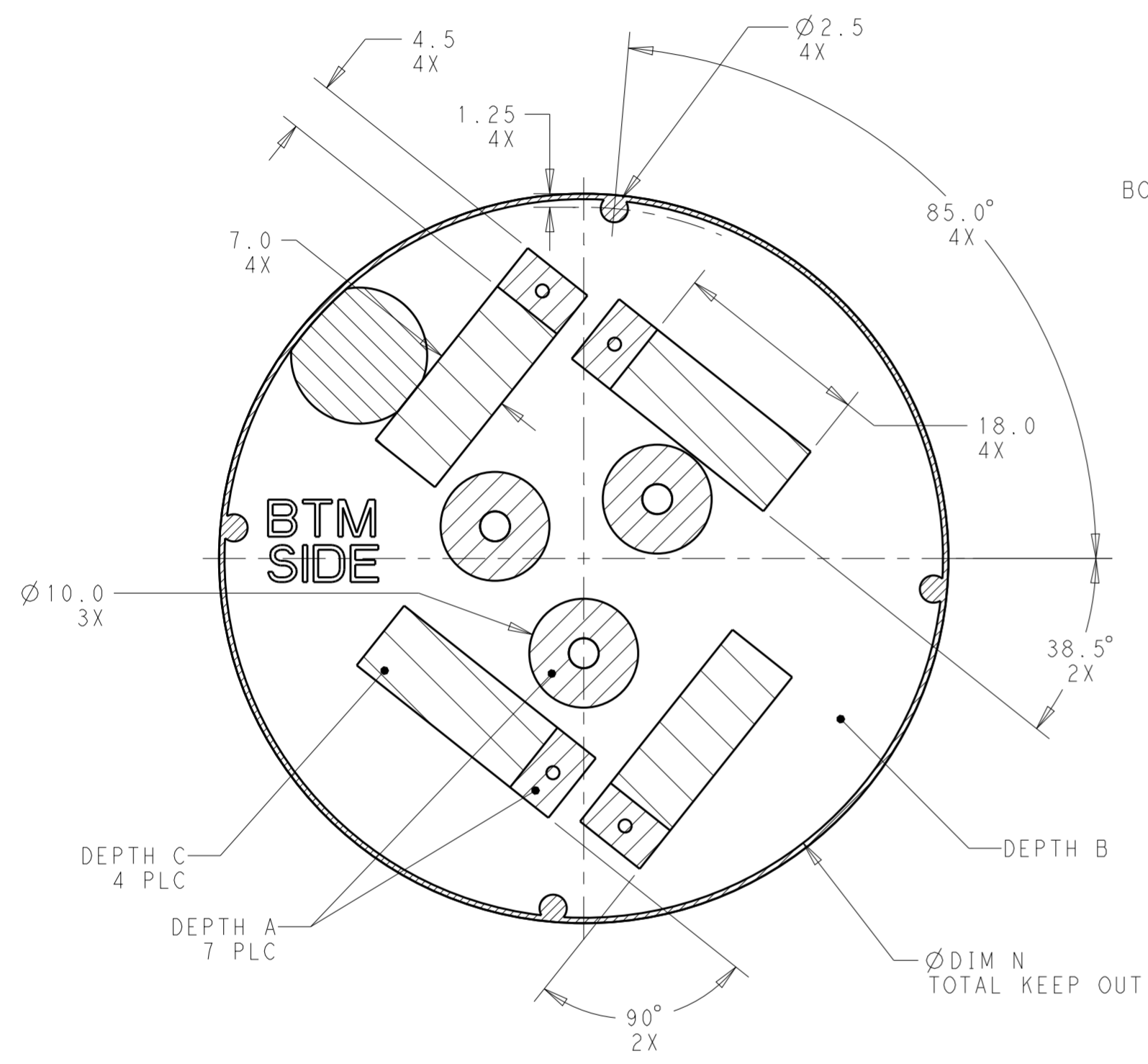
2213817-1 AND 2213871-2 SHOWN



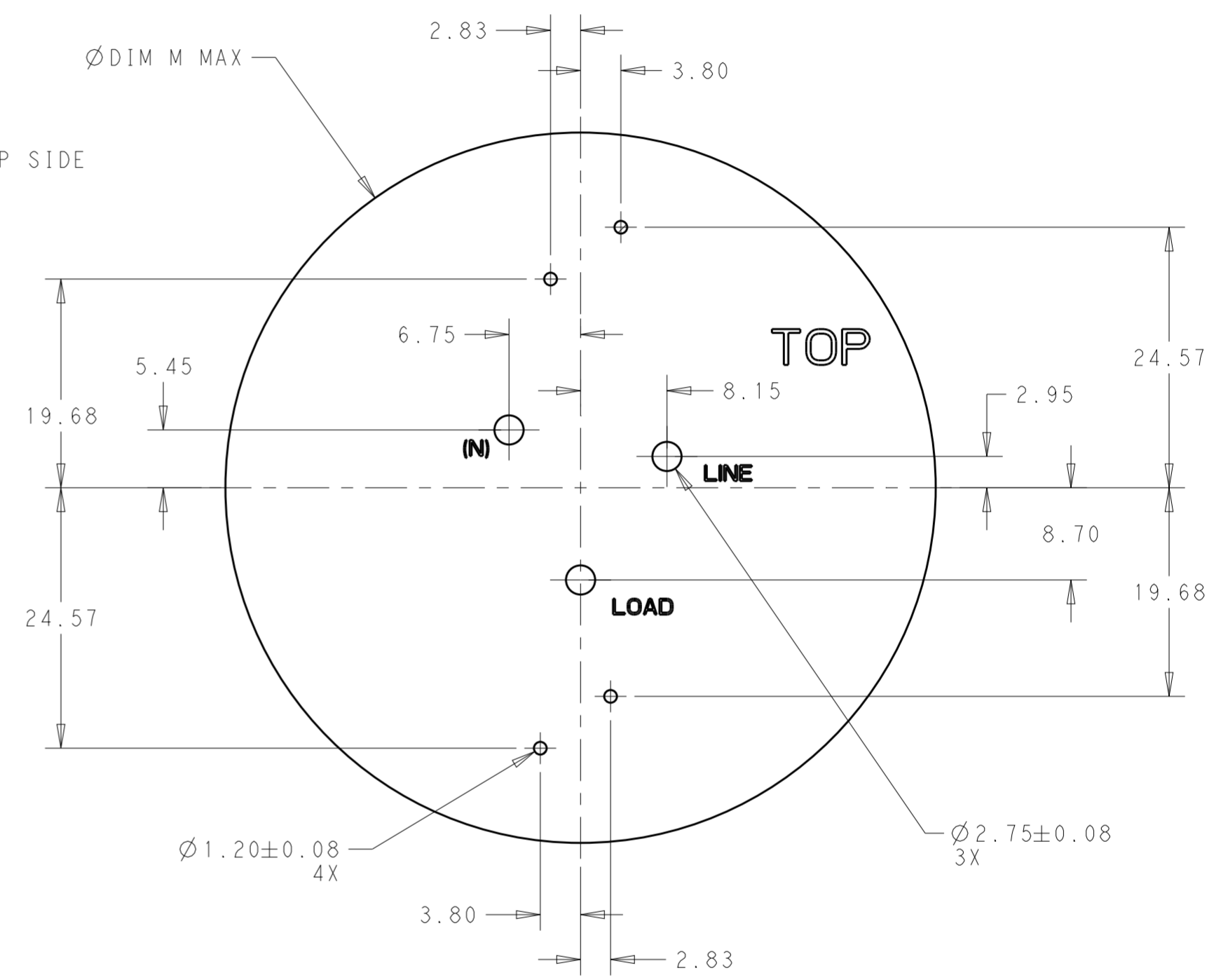
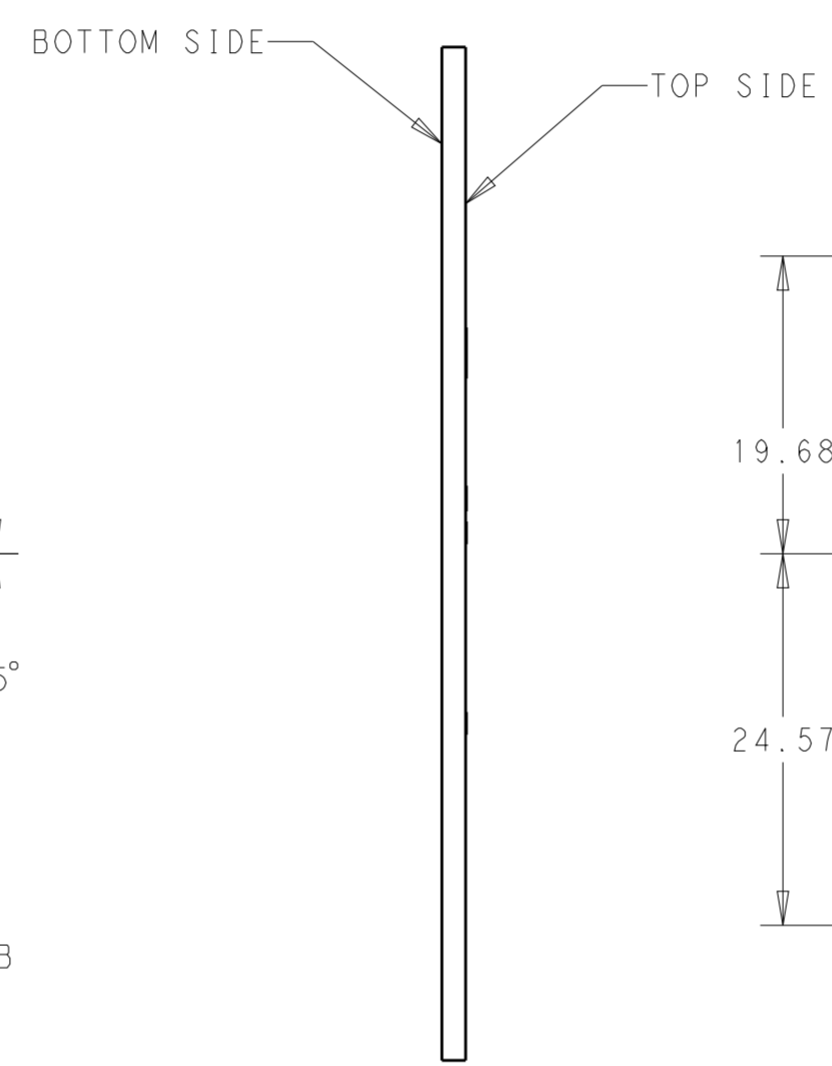
THIS DRAWING IS A CONTROLLED DOCUMENT.		DWN J. SHAFFER 23MAR2016	TE Connectivity	
		CHK E. HOWARD 23MAR2016		
DIMENSIONS: mm 		TOLERANCES UNLESS OTHERWISE SPECIFIED: 0 PLC ± 1 PLC ±0.2 2 PLC ±0.13 3 PLC ± 4 PLC ± ANGLES ±3° FINISH -		NAME BASE ASSEMBLY, LIGHT CONTROLLER, SLEEVE COMPATIBLE
MATERIAL		PRODUCT SPEC 108-32125 APPLICATION SPEC 114-32159		SIZE A2
		WEIGHT -		CAGE CODE -
		CUSTOMER DRAWING		DRAWING NO C-2213871
		SCALE 2:1		SHEET 2 OF 5
				REV A2

THIS DRAWING IS UNPUBLISHED. RELEASED FOR PUBLICATION 20  
 © COPYRIGHT 20 BY - ALL RIGHTS RESERVED.

REVISIONS				
P	LTR	DESCRIPTION	DATE	APVD
-	-	SEE SHEET 1	-	-



COMPONENT KEEP OUT AREAS

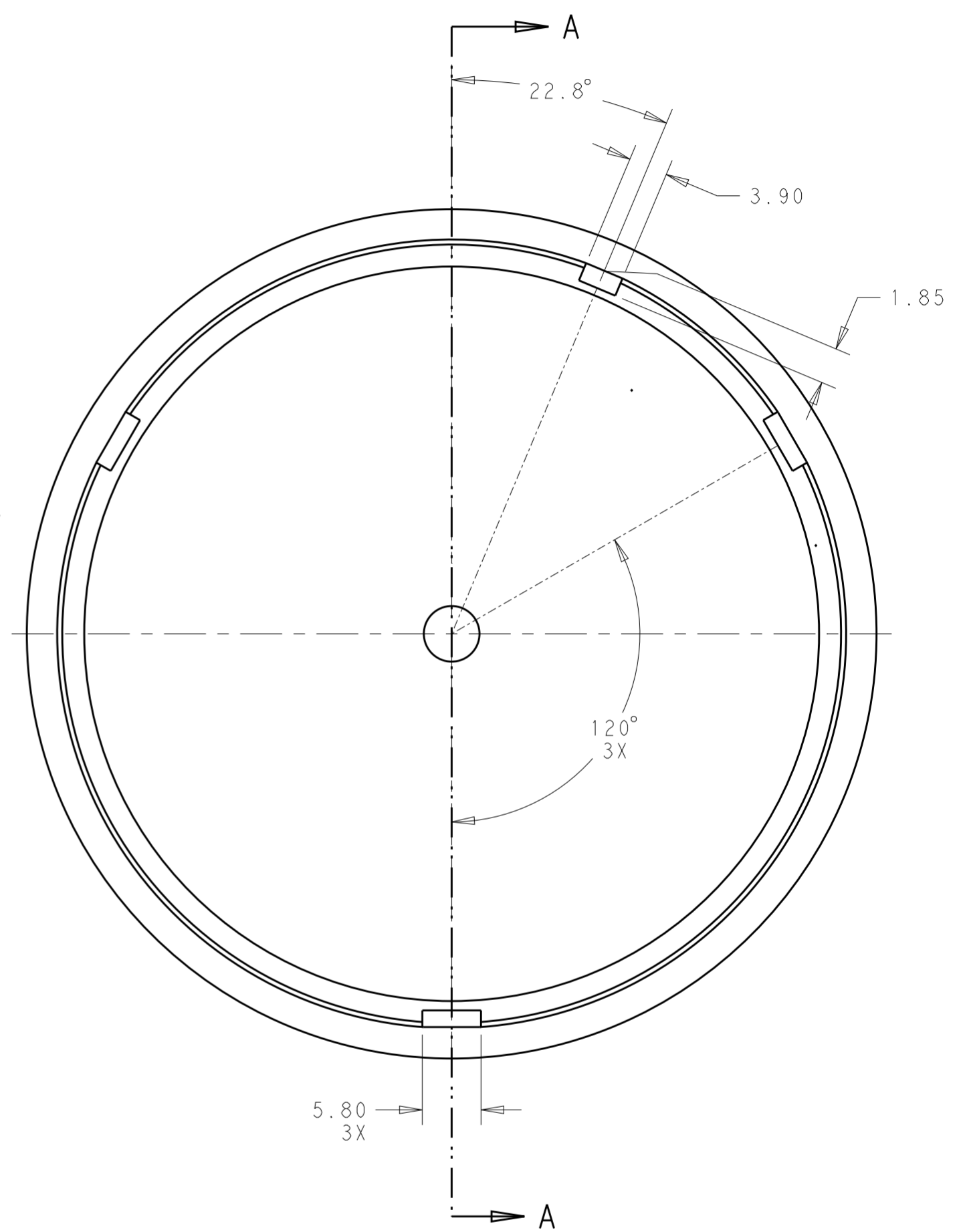
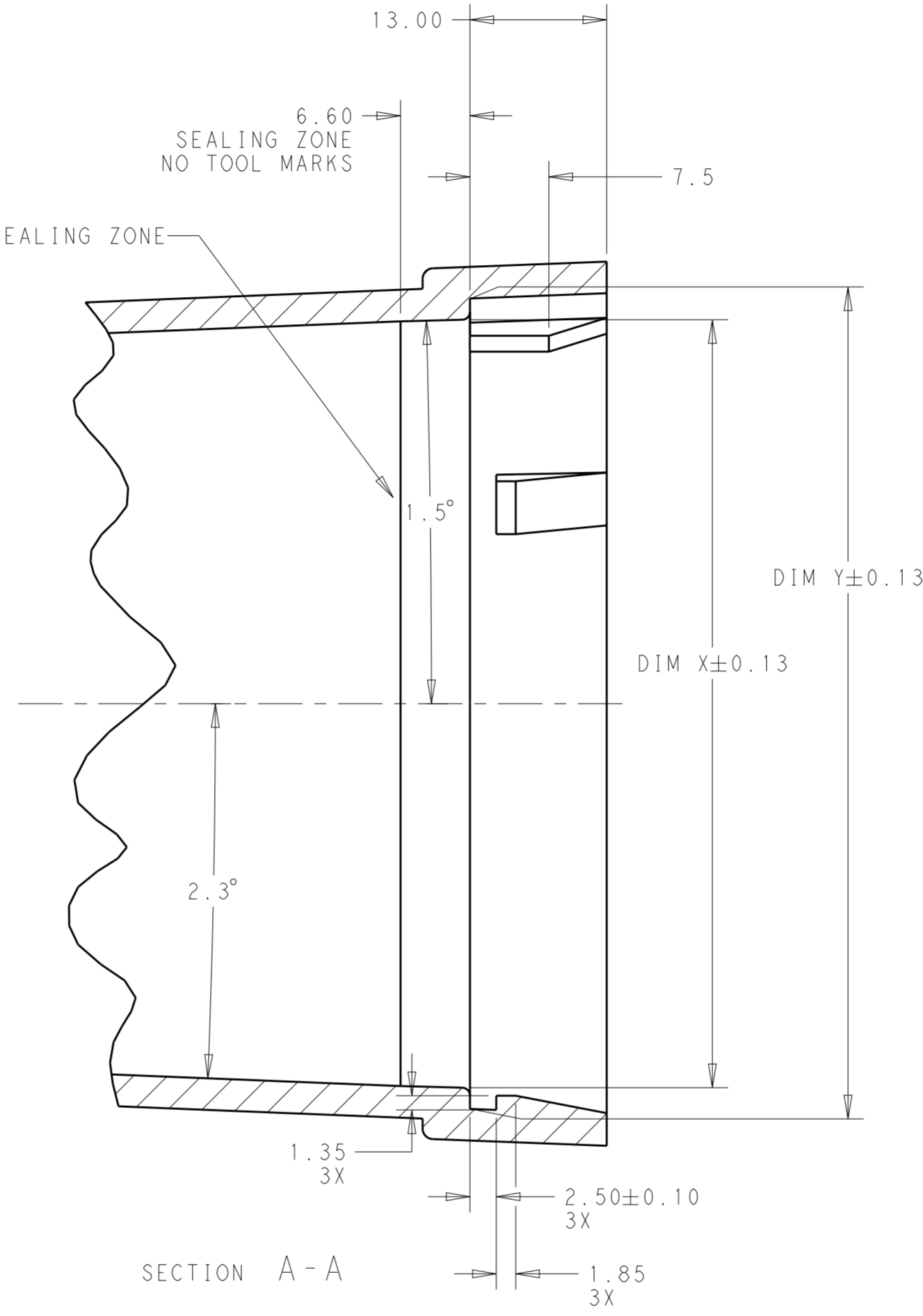
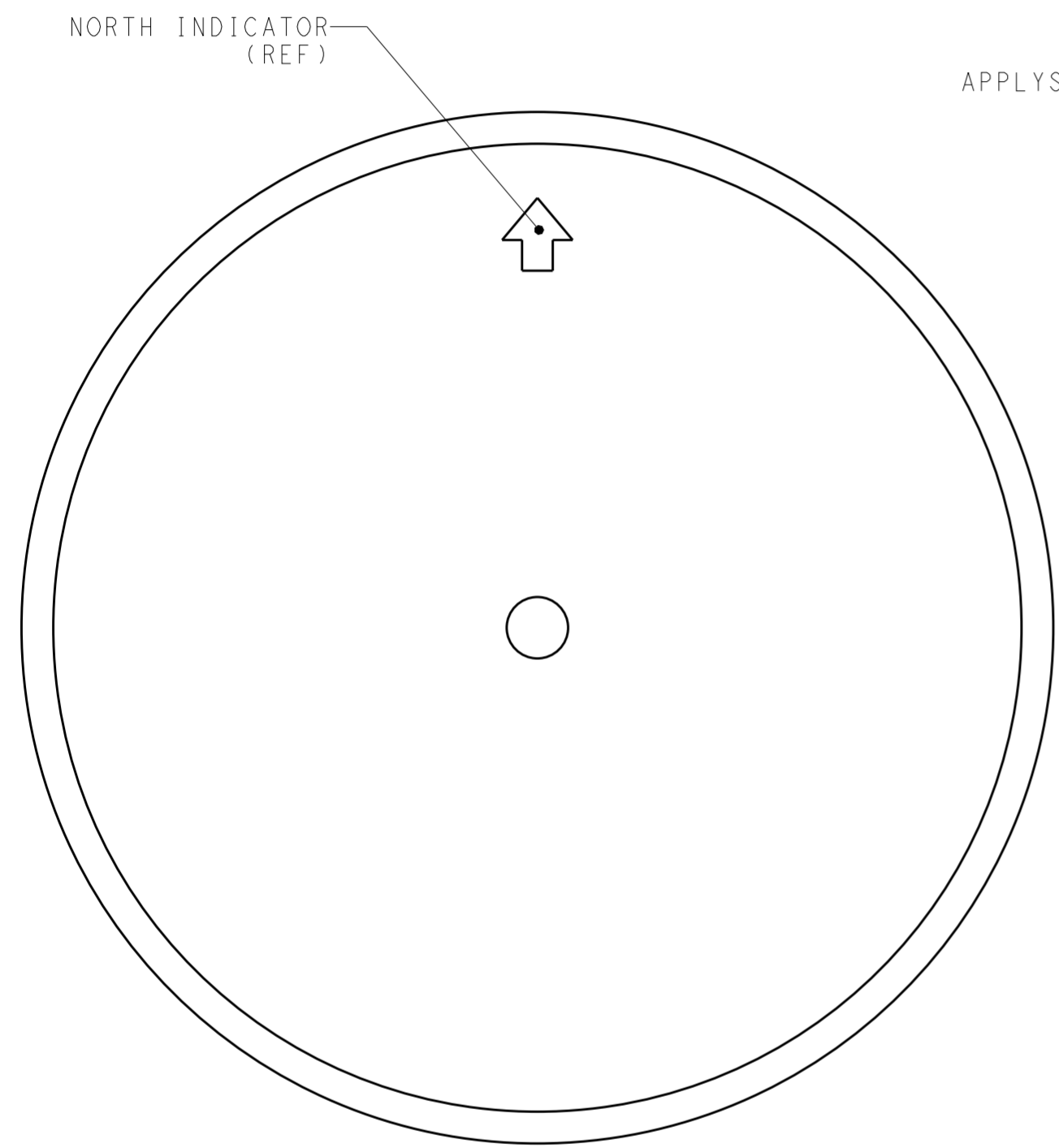


RECOMMENDED PCB SCALE 2:1

THIS DRAWING IS A CONTROLLED DOCUMENT.		DWN J. SHAFFER 23MAR2016	<b>STE</b> TE Connectivity	
		CHK E. HOWARD 23MAR2016		
DIMENSIONS: mm		APVD -	NAME BASE ASSEMBLY, LIGHT CONTROLLER, SLEEVE COMPATIBLE	
TOLERANCES UNLESS OTHERWISE SPECIFIED:		PRODUCT SPEC 108-32125	SIZE A2	
0 PLC ±	1 PLC ±0.2	APPLICATION SPEC 114-32159	CAGE CODE -	
2 PLC ±0.13	3 PLC ±	WEIGHT -	DRAWING NO. C-2213871	
4 PLC ±	ANGLES ±3°	CUSTOMER DRAWING	RESTRICTED TO -	
FINISH -	-	SCALE 2:1	SHEET 3 OF 5	
-	-	REV A2	REV A2	

THIS DRAWING IS UNPUBLISHED. RELEASED FOR PUBLICATION 20  
 © COPYRIGHT 20 BY - ALL RIGHTS RESERVED.

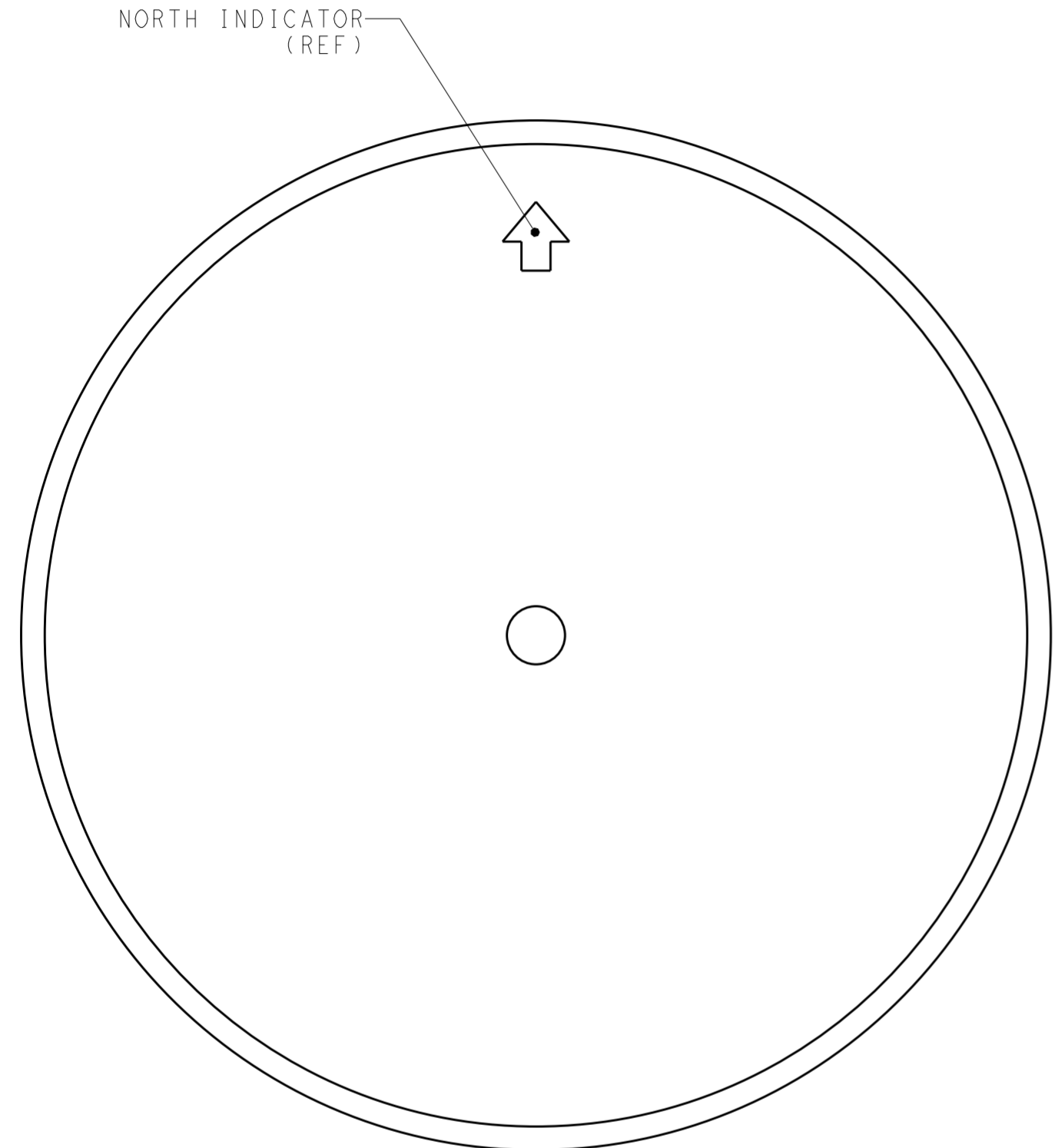
REVISIONS				
P	LTR	DESCRIPTION	DATE	APVD
-	-	SEE SHEET 1	-	-



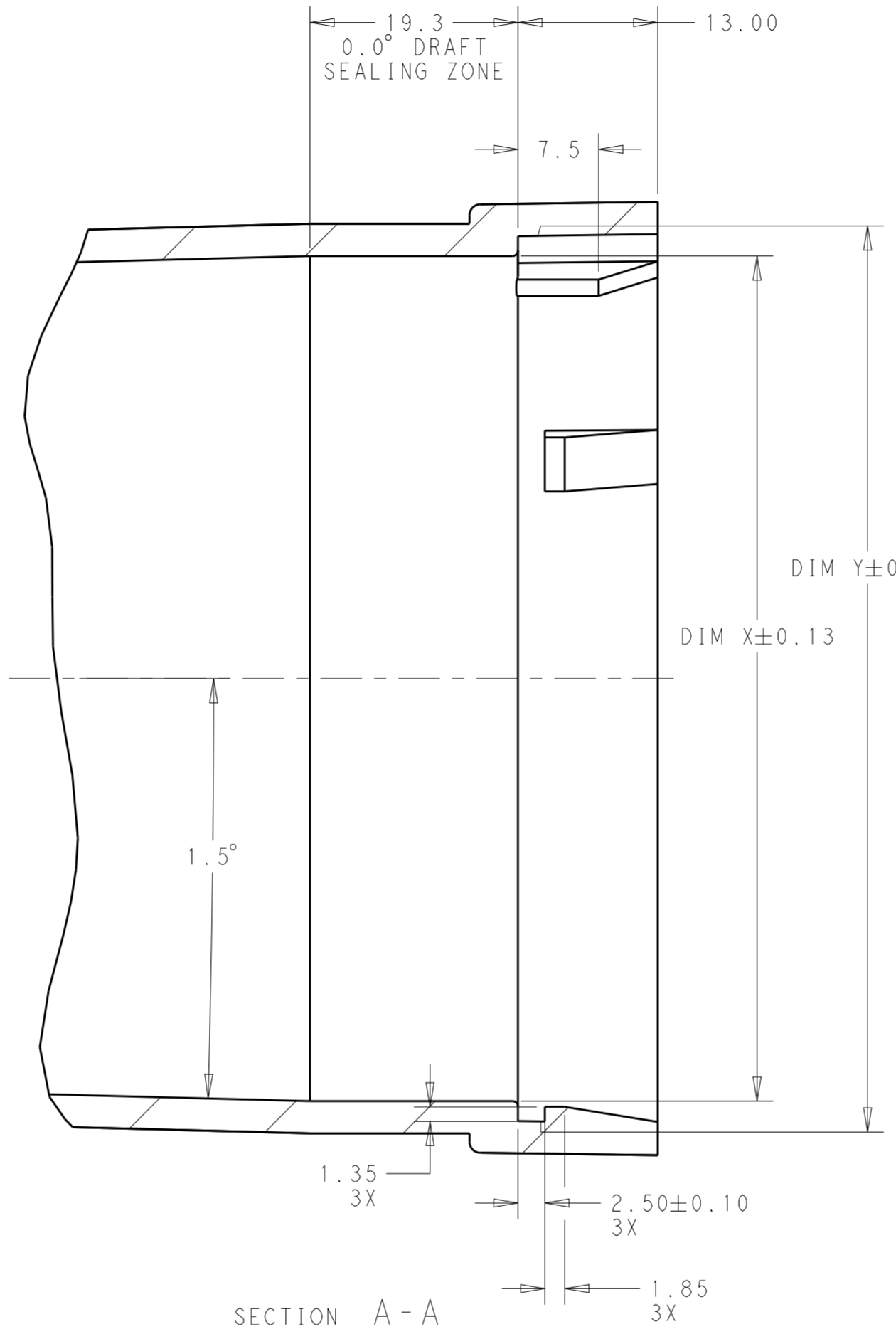
MATING COVER DIMENSIONS  
 FOR  
 76MM DIAMETER BASES  
 (2213871-1, 1-2213871-1)

THIS DRAWING IS A CONTROLLED DOCUMENT.		DWN J. SHAFFER 23MAR2016	TE Connectivity	
		CHK E. HOWARD 23MAR2016		
DIMENSIONS: mm		TOLERANCES UNLESS OTHERWISE SPECIFIED: 0 PLC ± 1 PLC ±0.2 2 PLC ±0.13 3 PLC ± 4 PLC ± ANGLES ±3° FINISH -		NAME BASE ASSEMBLY, LIGHT CONTROLLER, SLEEVE COMPATIBLE
		PRODUCT SPEC 108-32125		SIZE A2
MATERIAL -		APPLICATION SPEC 114-32159		CAGE CODE -
		WEIGHT -		DRAWING NO C-2213871
		CUSTOMER DRAWING		RESTRICTED TO -
		SCALE 2:1		SHEET 4 OF 5
				REV A2

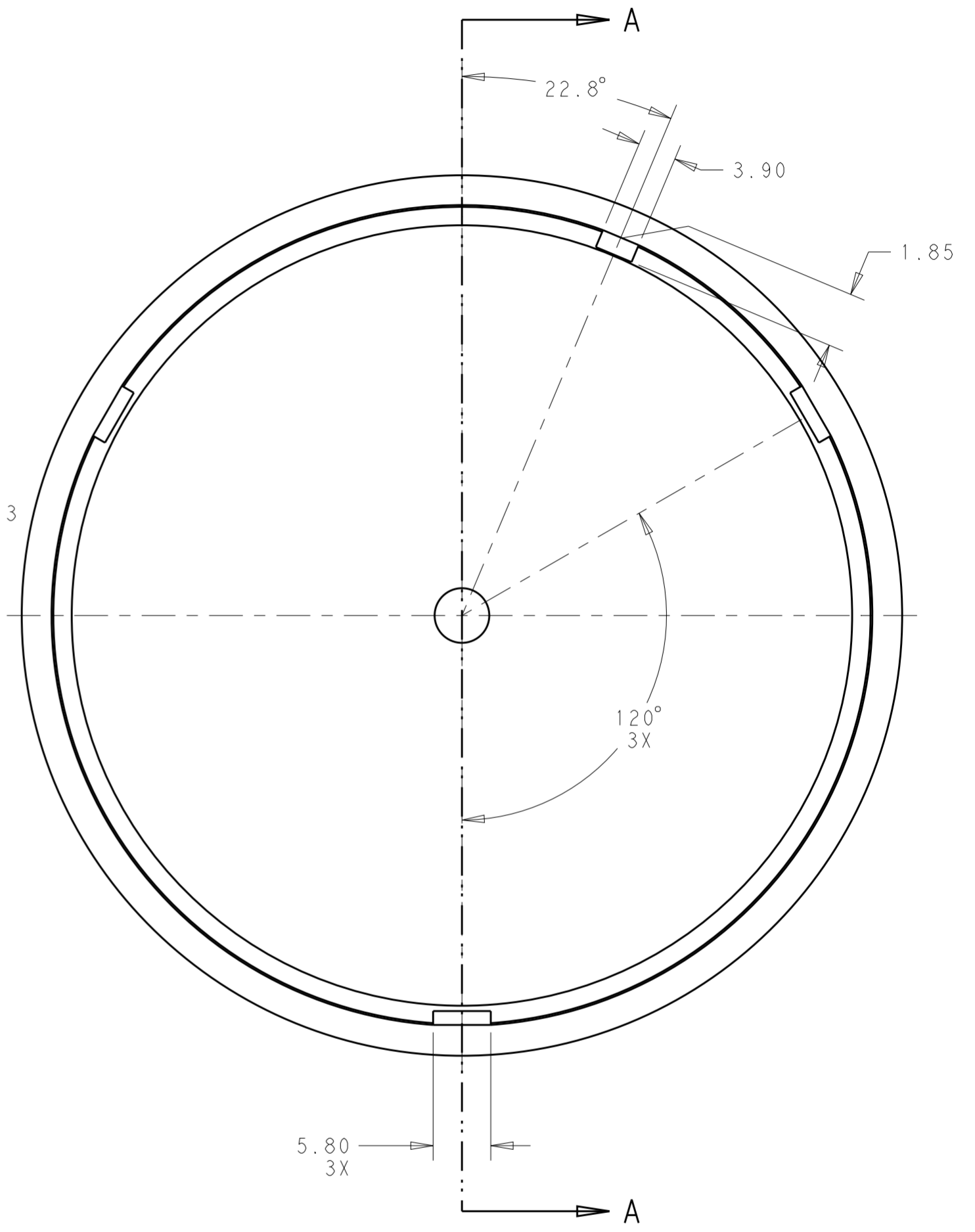
REVISIONS				
P	LTR	DESCRIPTION	DATE	APVD
-	-	SEE SHEET 1	-	-




SCALE 2:1



SECTION A - A



MATING COVER DIMENSIONS  
 FOR  
 81MM DIAMETER BASES  
 (2213871-2, 1-2213871-2)

THIS DRAWING IS A CONTROLLED DOCUMENT.		DWN J. SHAFFER 23MAR2016	 TE Connectivity	
DIMENSIONS:		CHK E. HOWARD 23MAR2016		
mm	TOLERANCES UNLESS OTHERWISE SPECIFIED:	APVD -	NAME BASE ASSEMBLY, LIGHT CONTROLLER, SLEEVE COMPATIBLE	
0 PLC	±	PRODUCT SPEC	SIZE A2	
1 PLC	±0.2	108-32125	CAGE CODE -	
2 PLC	±0.13	APPLICATION SPEC	DRAWING NO C-2213871	
3 PLC	±	114-32159	RESTRICTED TO -	
4 PLC	±	WEIGHT -	SCALE 2:1	
ANGLES	±3°	CUSTOMER DRAWING	SHEET 5 OF 5	
FINISH	-		REV A2	