



Chipsmall Limited consists of a professional team with an average of over 10 year of expertise in the distribution of electronic components. Based in Hongkong, we have already established firm and mutual-benefit business relationships with customers from,Europe,America and south Asia,supplying obsolete and hard-to-find components to meet their specific needs.

With the principle of “Quality Parts,Customers Priority,Honest Operation,and Considerate Service”,our business mainly focus on the distribution of electronic components. Line cards we deal with include Microchip,ALPS,ROHM,Xilinx,Pulse,ON,Everlight and Freescale. Main products comprise IC,Modules,Potentiometer,IC Socket,Relay,Connector.Our parts cover such applications as commercial,industrial, and automotives areas.

We are looking forward to setting up business relationship with you and hope to provide you with the best service and solution. Let us make a better world for our industry!



## Contact us

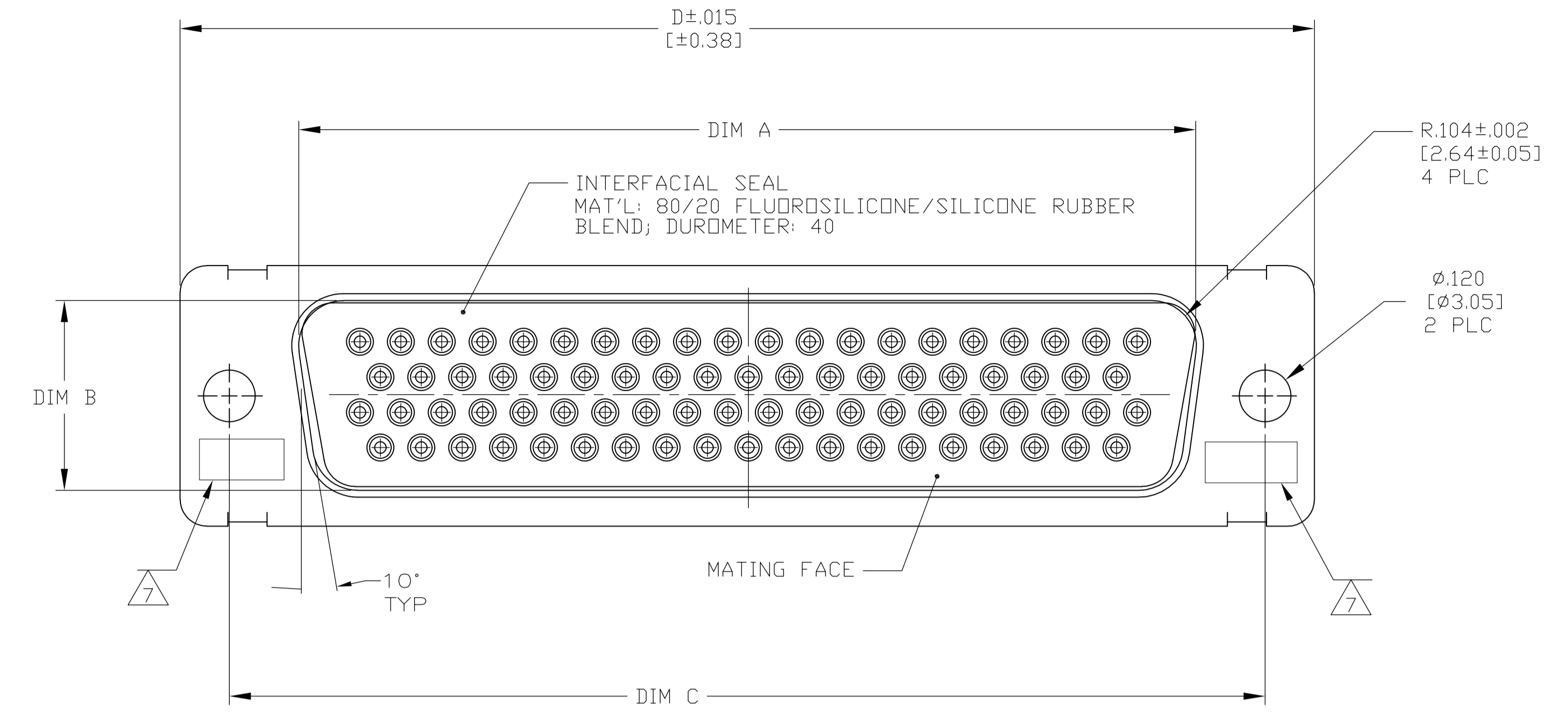
Tel: +86-755-8981 8866 Fax: +86-755-8427 6832

Email & Skype: info@chipsmall.com Web: www.chipsmall.com

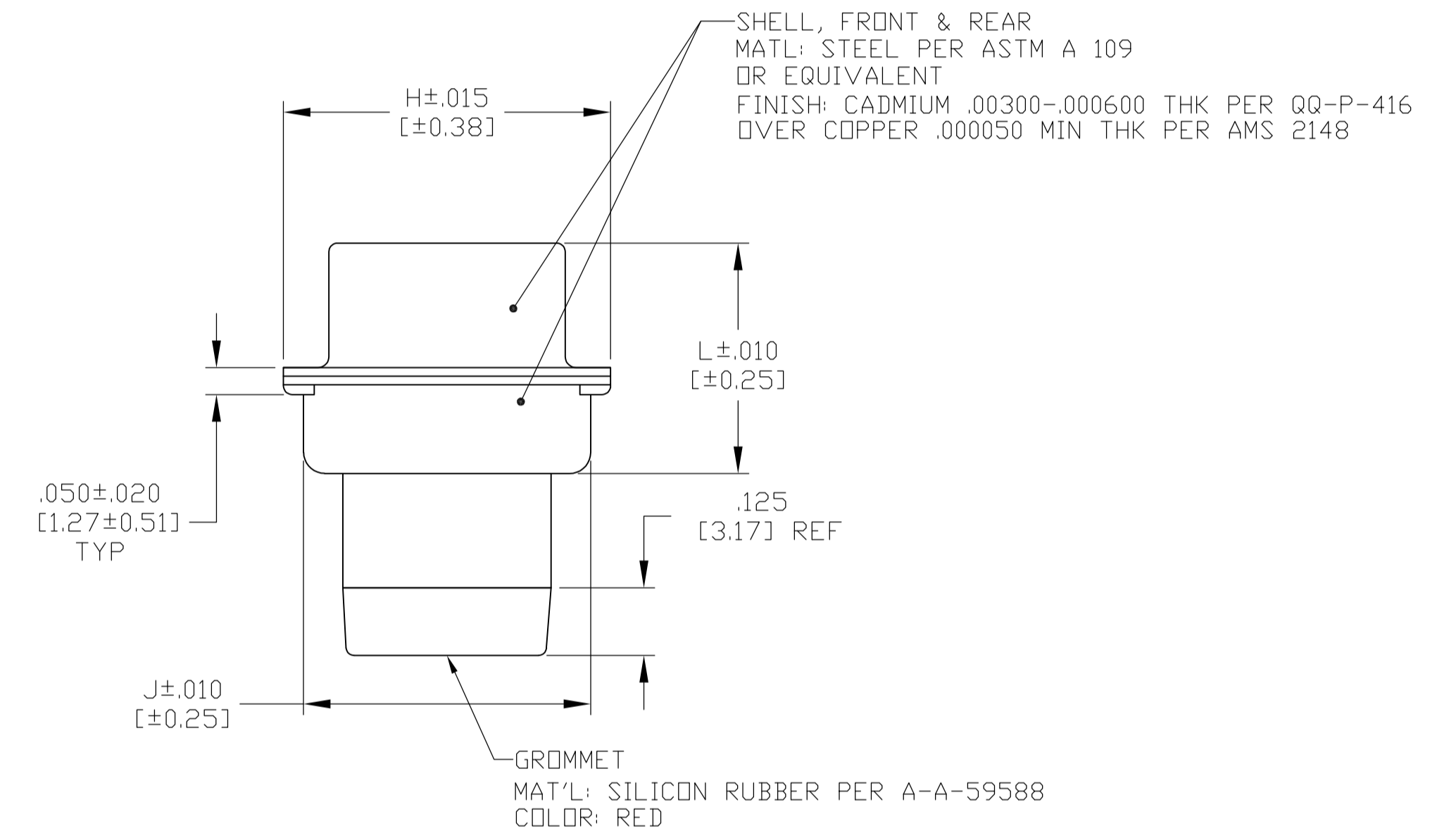
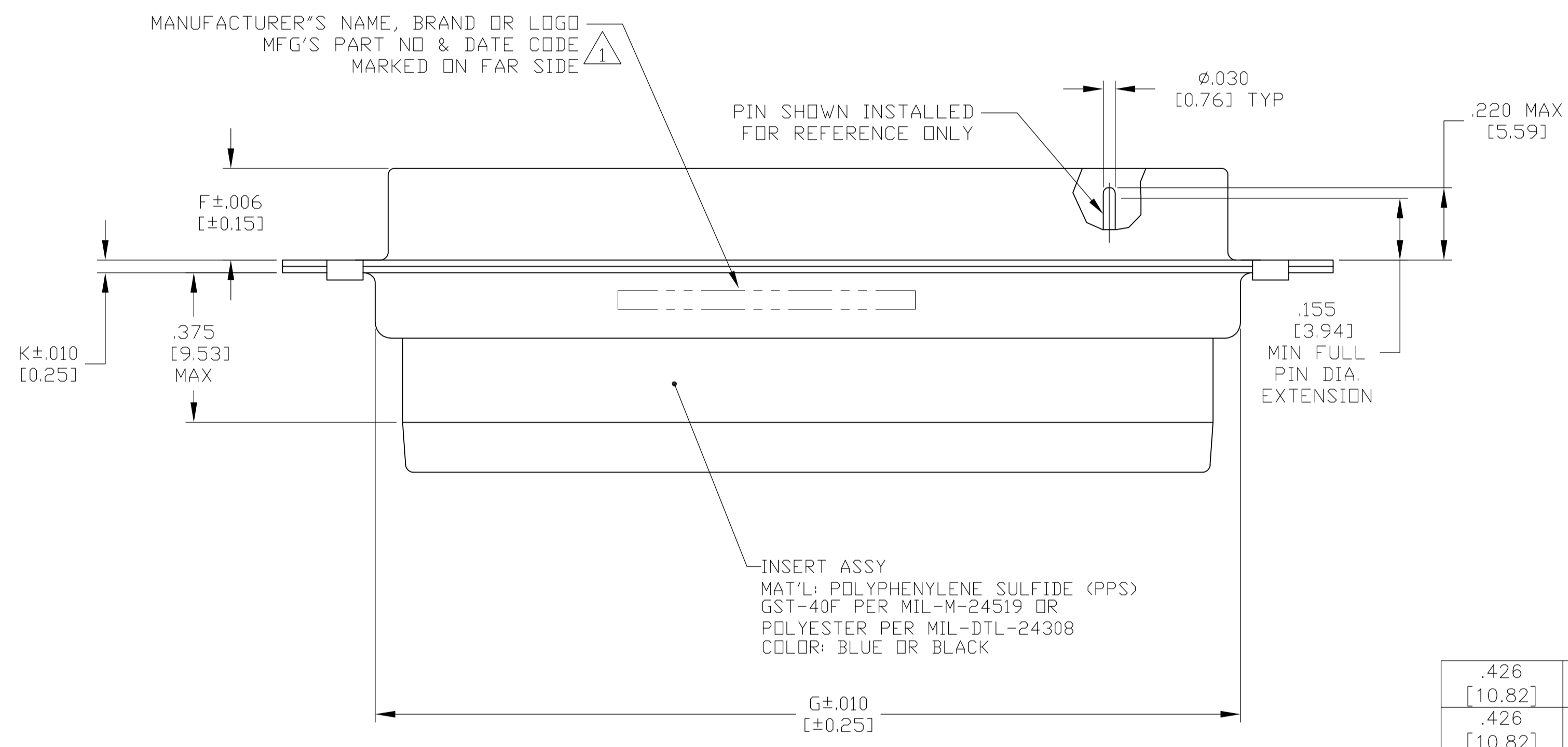
Address: A1208, Overseas Decoration Building, #122 Zhenhua RD., Futian, Shenzhen, China



REVISED PER		ECO-16-013266	DATE	DWN	APVD
D	REVISED PER	ECO-16-013266	29SEP16	RS	CT



- MARKED WITH .047 [1.19] HIGH CHARACTERS. FAR SIDE REFERS TO WIDE SIDE OF KEYSTONE, NEAR SIDE REFERS TO NARROW SIDE OF KEYSTONE.
- THIS ASSEMBLY IS DESIGNED TO CONFORM TO THE LATEST ISSUE OF MIL-DTL-24308.
- MAXIMUM WIRE INSULATION USED WITH THIS CONNECTOR IS .054 [1.37] DIAMETER WITH GROMMET
- METAL RETENTION CLIPS ARE INCLUDED IN INSERTS.
- THIS PLUG WILL MATE WITH ANY RECEPTACLE CONNECTOR WITH THE SAME INSERT ARRANGEMENT.
- CONTACTS ARE PACKAGED SEPARATELY AND SHIPPED WITH CONNECTOR.
- UL/CSA DESIGNATION STAMPED IN THIS AREA.
- EPOXY IS APPLIED BETWEEN FRONT & REAR SHELLS AND INSERT.
- FOR CONTACT CRIMPING AND CONTACT INSTALLATION AND REMOVAL REFER TO TE I.S. 408-7516.
- INTERFACIAL SEAL IS BONDED TO FRONT INSERT.



DIM L	DIM K	DIM J	DIM H	DIM G	DIM F	DIM D	DIM C	DIM B	DIM A	NO. OF POSITIONS	PART NUMBER
.426 [10.82]	.039 [0.99]	.534 [13.56]	.668 [16.97]	2.302 [58.47]	.230 [5.84]	2.729 [69.32]	2.500 [63.50]	.503 [12.78]	2.212 [56.18]	104	1-2221860-6
.426 [10.82]	.039 [0.99]	.534 [13.56]	.605 [15.37]	2.178 [55.32]	.230 [5.84]	2.635 [66.93]	2.406 [61.11]	.441 [11.20]	2.079 [52.81]	78	1-2221860-5
.426 [10.82]	.039 [0.99]	.422 [10.72]	.494 [12.55]	2.272 [57.71]	.230 [5.84]	2.729 [69.32]	2.500 [63.50]	.329 [8.36]	2.182 [55.42]	62	1-2221860-4
.426 [10.82]	.039 [0.99]	.422 [10.72]	.494 [12.55]	1.625 [41.27]	.230 [5.84]	2.088 [53.03]	1.852 [47.04]	.329 [8.36]	1.534 [39.96]	44	1-2221860-3
.422 [10.72]	.030 [0.76]	.422 [10.72]	.494 [12.55]	1.083 [27.51]	.235 [5.97]	1.541 [39.14]	1.312 [33.32]	.329 [8.36]	.994 [25.25]	26	1-2221860-2
.422 [10.72]	.030 [0.76]	.422 [10.72]	.494 [12.55]	.759 [19.28]	.235 [5.97]	1.213 [30.81]	.984 [24.99]	.329 [8.36]	.666 [16.92]	15	1-2221860-1
.426 [10.82]	.039 [0.99]	.534 [13.56]	.668 [16.97]	2.302 [58.47]	.230 [5.84]	2.729 [69.32]	2.500 [63.50]	.503 [12.78]	2.212 [56.18]	104	2221860-6
.426 [10.82]	.039 [0.99]	.534 [13.56]	.605 [15.37]	2.178 [55.32]	.230 [5.84]	2.635 [66.93]	2.406 [61.11]	.441 [11.20]	2.079 [52.81]	78	2221860-5
.426 [10.82]	.039 [0.99]	.422 [10.72]	.494 [12.55]	2.272 [57.71]	.230 [5.84]	2.729 [69.32]	2.500 [63.50]	.329 [8.36]	2.182 [55.42]	62	2221860-4
.426 [10.82]	.039 [0.99]	.422 [10.72]	.494 [12.55]	1.625 [41.27]	.230 [5.84]	2.088 [53.03]	1.852 [47.04]	.329 [8.36]	1.534 [39.96]	44	2221860-3
.422 [10.72]	.030 [0.76]	.422 [10.72]	.494 [12.55]	1.083 [27.51]	.235 [5.97]	1.541 [39.14]	1.312 [33.32]	.329 [8.36]	.994 [25.25]	26	2221860-2
.422 [10.72]	.030 [0.76]	.422 [10.72]	.494 [12.55]	.759 [19.28]	.235 [5.97]	1.213 [30.81]	.984 [24.99]	.329 [8.36]	.666 [16.92]	15	2221860-1

PRELIMINARY PART NO.

THIS DRAWING IS A CONTROLLED DOCUMENT.

DIMENSIONS: INCHES [mm]	TOLERANCES UNLESS OTHERWISE SPECIFIED:	DIN C.C.THOMAS 10-14-14	10-14-14
0 PLC ± -	1 PLC ± -	2 PLC ± -	3 PLC ± .005 [0.13]
4 PLC ± -	ANGLES ± 1°	APVD C.DERRICK 10-14-14	NAME
MATERIAL SEE CALLOUTS	FINISH SEE CALLOUTS	PRODUCT SPEC	APPLICATION SPEC
WEIGHT	SCALE 4:1	SIZE A1	CAGE CODE 00779
CUSTOMER DRAWING	DRAWING NO. 2221860	SHEET 1 of 1	REV D

STE TE Connectivity

PLUG ASSY, SIZE 1-6, IP67 SERIES 90, AMPLIMITE WITH IF SEAL AND GROMMET