



Chipsmall Limited consists of a professional team with an average of over 10 year of expertise in the distribution of electronic components. Based in Hongkong, we have already established firm and mutual-benefit business relationships with customers from,Europe,America and south Asia,supplying obsolete and hard-to-find components to meet their specific needs.

With the principle of “Quality Parts,Customers Priority,Honest Operation,and Considerate Service”,our business mainly focus on the distribution of electronic components. Line cards we deal with include Microchip,ALPS,ROHM,Xilinx,Pulse,ON,Everlight and Freescale. Main products comprise IC,Modules,Potentiometer,IC Socket,Relay,Connector.Our parts cover such applications as commercial,industrial, and automotives areas.

We are looking forward to setting up business relationship with you and hope to provide you with the best service and solution. Let us make a better world for our industry!



Contact us

Tel: +86-755-8981 8866 Fax: +86-755-8427 6832

Email & Skype: info@chipsmall.com Web: www.chipsmall.com

Address: A1208, Overseas Decoration Building, #122 Zhenhua RD., Futian, Shenzhen, China



THIS DRAWING AND THE SUBJECT MATTER SHOWN THEREON ARE CONFIDENTIAL AND THE PROPERTY OF BEL/STEWART/TRP CONNECTOR AND SHALL NOT BE REPRODUCED, COPIED, OR USED IN ANY MANNER WITHOUT THE WRITTEN CONSENT OF TRP CONNECTOR.

PRODUCT MAY BE PROTECTED BY ONE OR MORE OF THE FOLLOWING US PATENTS:
 5736910 5939955 6425781 6428361 6554638 6840817 7123117
 7429195 7717749 7808751 6217391 6149050 7924130

REVISIONS				
#	LT#	DESCRIPTION	DATE	OWN APVD
B		EC-1411035 COMPANY LOGO CHANGE	31DEC2014	DP TY

1. MATERIALS

- HOUSING: THERMOPLASTIC, FLAMMABILITY RATING UL 94V-0.
- SHIELD: BRASS 0.20mm THICK, PREPLATED WITH 0.76um MIN SEMI-BRIGHT NICKEL. SOLDER TABS POST DIPPED WITH 2.54um MIN SAC SOLDER.
- CONTACTS: PHOSPHOR BRONZE 0.46mm X 0.30mm, PHOSPHOR BRONZE, 1.27um MIN NICKEL UNDERPLATE, WITH 1.27um MIN GOLD PLATING AT MATING INTERFACE AND 2.54um MIN MATTE TIN ON SOLDER TAILS,
- SOLDER TAILS: 0.25mm THICK, PHOSPHOR BRONZE, 1.27um MIN OVERALL NICKEL UNDERPLATE, 3um TIN PLATE
- LIGHT EMITTING DIODE (LED): DIFFUSED EPOXY LENS, 0.5mm X 0.5mm CARBON STEEL WIREFRAME LEADS PREPLATED WITH 2.03um MIN. SILVER PLATE OVER 1.02um MIN. NICKEL OVER 1.02um MIN. COPPER UNDERPLATE; LEADS POST-PLATED WITH 3.05um MIN. MATTE TIN, TIP TIN DIPPING

2. RJ45 JACK CAVITY CONFORMS TO FCC RULES AND REGULATIONS PART 68 SUB PART F.

3. MAGNETICS

- APPLICATION: 10/100 BASE-T, PoE
- IMPEDANCE: 100 OHMS
- TURNS RATIO (CHIP:CABLE): TX = 1:1, RX = 1:1
- OPEN CIRCUIT INDUCTANCE (OCL): 350uH MIN @100kHz, 0.1VRMS, 8mADC BIAS FROM 0°C TO 70°C, TX AND RX
- POE CURRENT: 350mADC MAX
- PERFORMANCE @ 25°C:
 - INSERTION LOSS (IL): 1.1dB MAX FROM 0.5MHz TO 100MHz
 - RETURN LOSS (RL): 18dB MIN FROM 0.5MHz TO 30MHz
 - 18-20LOG(f/30)dB MIN FROM 30.1MHz TO 60MHz
 - 12dB MIN FROM 60.1MHz TO 80MHz
 - CROSSTALK ATTENUATION: 35dB MIN FROM 0.5MHz TO 40MHz
 - 33-20LOG(f/50)dB MIN FROM 40.1MHz TO 100MHz
 - COMMON MODE REJECTION RATIO (CMRR): 30dB MIN FROM 0.5MHz TO 100MHz
- ISOLATION VOLTAGE: 2250VDC FOR 60 SECONDS WITH A RISE TIME OF 500 V/SEC

4. OPERATING TEMPERATURE: FROM 0°C TO +70°C.

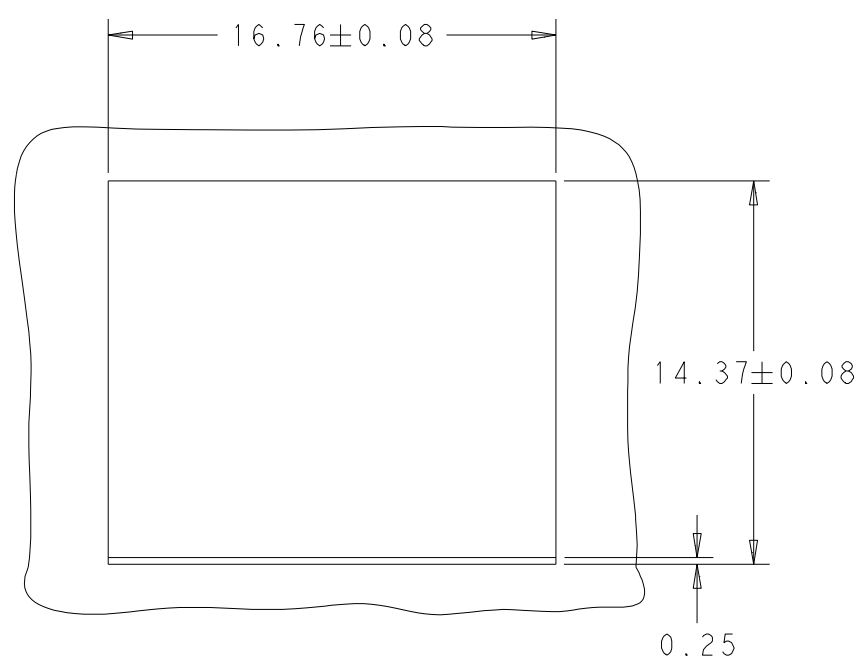
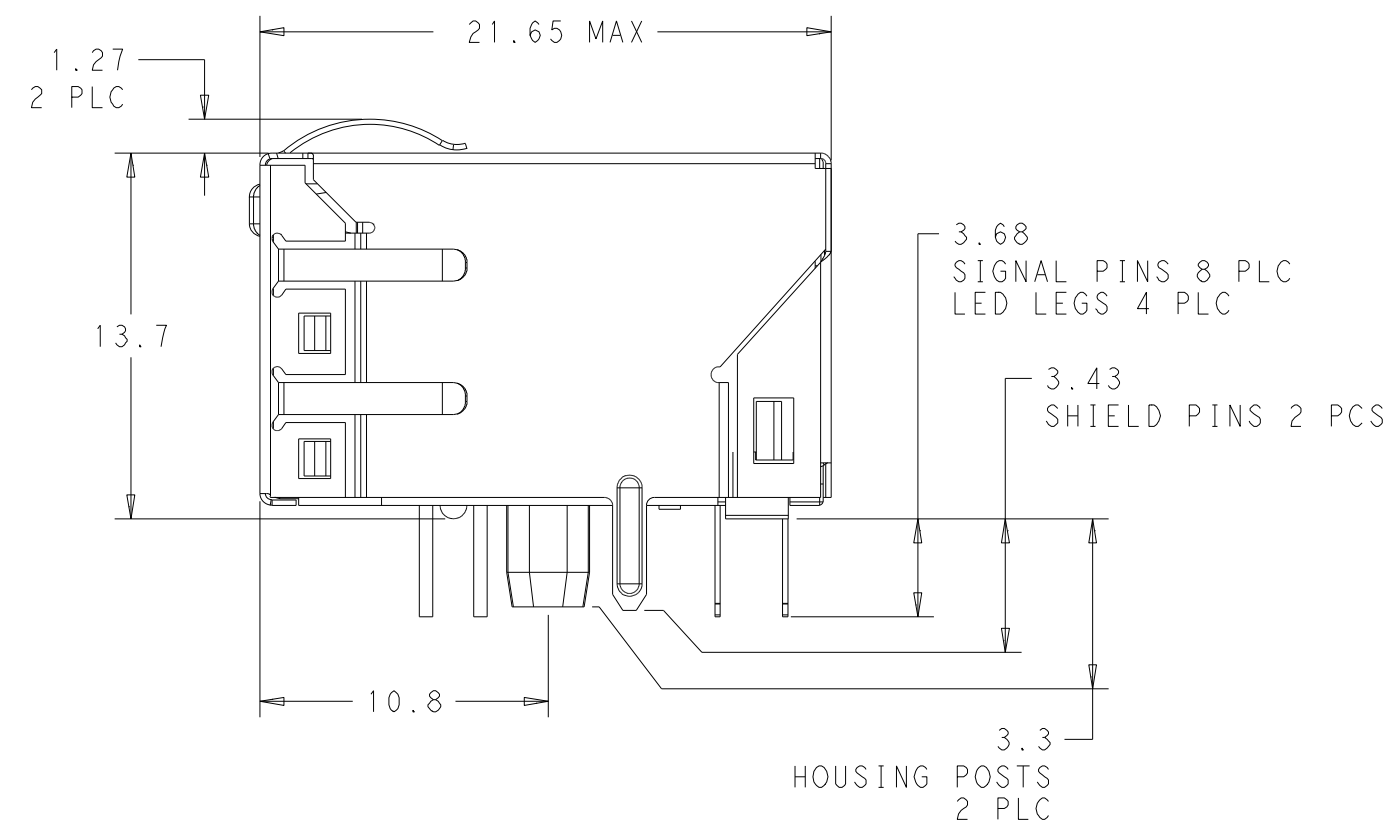
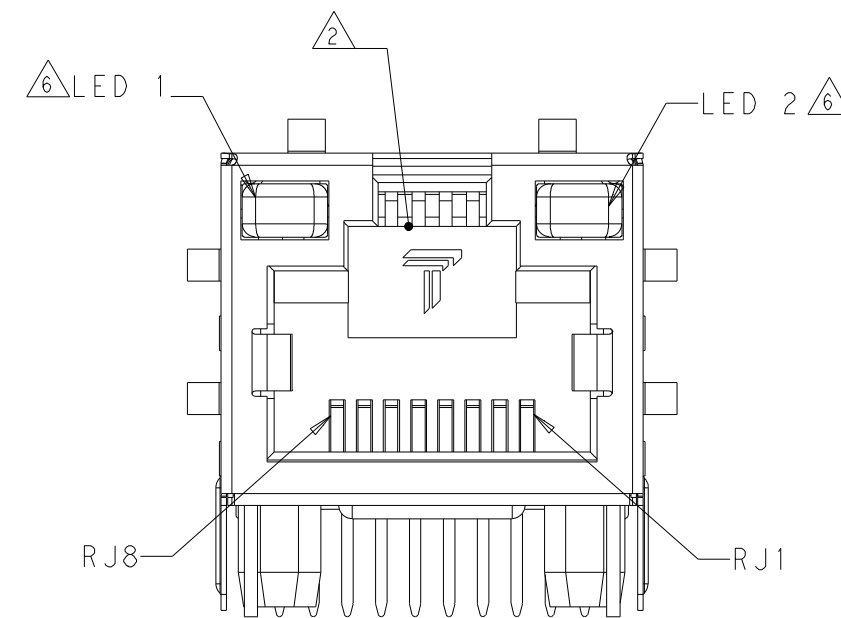
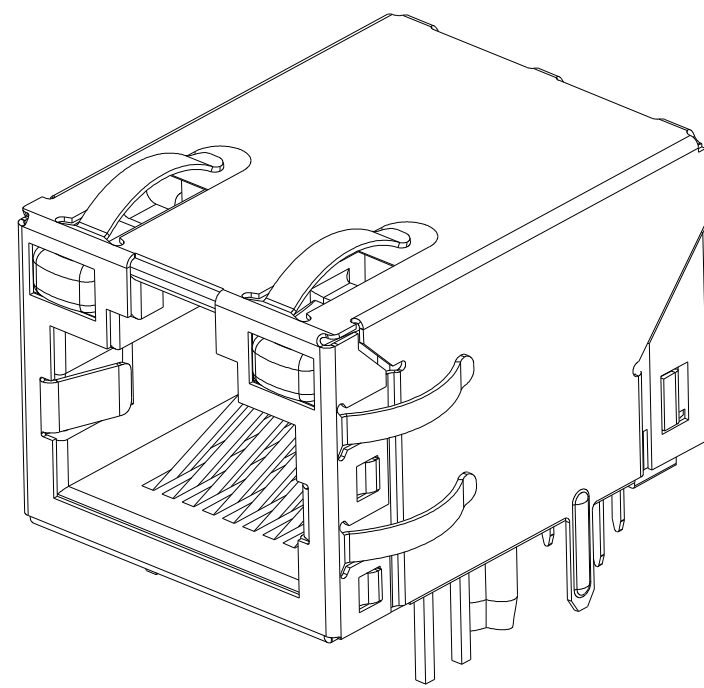
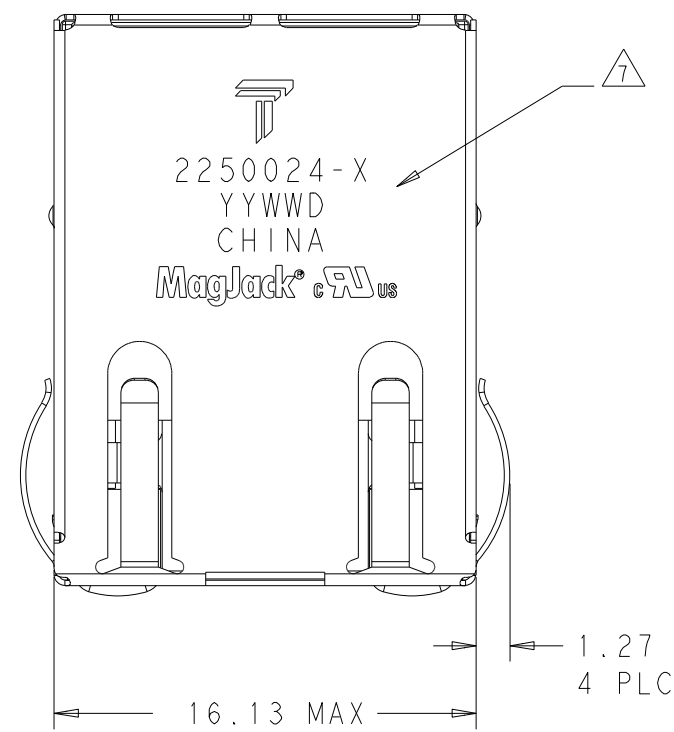
5. INDICATED MAGNETIC CONNECTIONS ARE SYMMETRICAL TO SUPPORT AUTO-MDI/MDIX.

6. THE 250 OHM LED RESISTORS ARE OPTIONAL, PLEASE SEE CHART FOR PRESENCE OR ABSENCE OF RESISTORS
 IF LEDS WITHOUT 250 OHM RESISTORS, LEDS ARE DRIVEN WITH CONSTANT CURRENT AT APPROX 20mA
 LED COLOR: DOMINATE WAVELENGTH (λD): GREEN 568 nm TYP @ IF=20mA

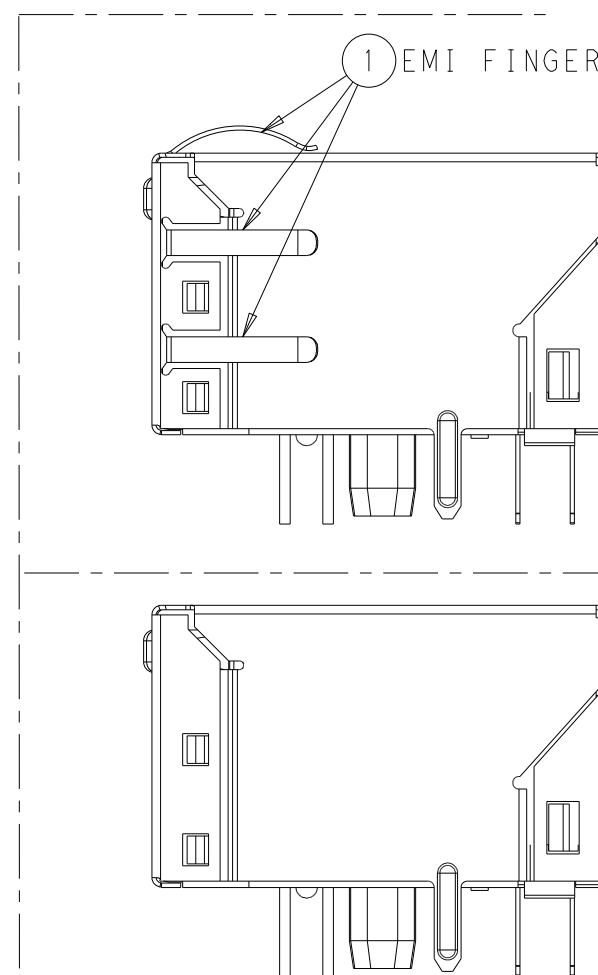
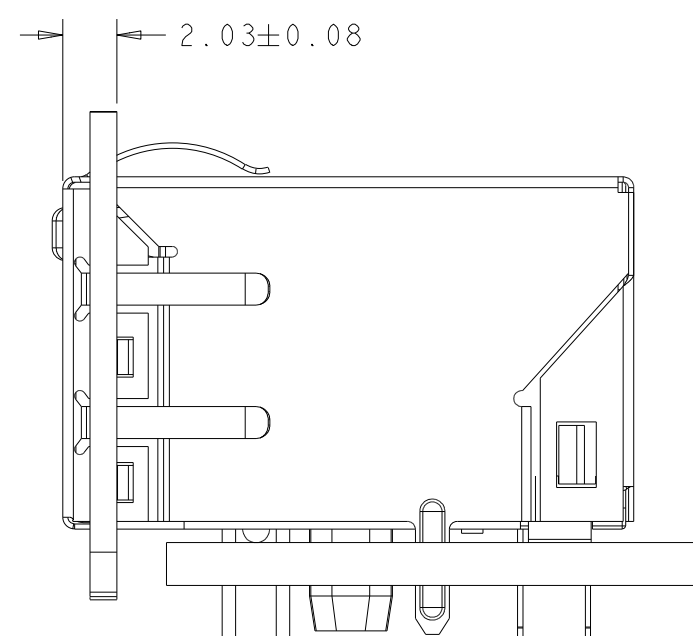
- FORWARD VOLTAGE(VF): GREEN 2.2V TYP @ IF = 20mA
- DOMINATE WAVELENGTH (λD): YELLOW 588 nm TYP @ IF=20mA
- FORWARD CURRENT (IF): YELLOW 2.1V TYP @ IF = 20mA
- IF LEDS WITH BUILT-IN 250 OHM RESISTORS. LEDS ARE DRIVEN WITH 5V VOLTAGE AND THE MAX OPERATING CURRENT IS 20mA
- LED COLOR: DOMINATE WAVELENGTH (λD): GREEN 568 nm TYP @ VF=5V
- FORWARD CURRENT (IF): GREEN 12mA TYP @ VF = 5V
- DOMINATE WAVELENGTH (λD): YELLOW 588 nm TYP @ VF=5V
- FORWARD CURRENT (IF): YELLOW 13mA TYP @ VF = 5V

7. TRP CONNECTOR LOGO, PART NUMBER, DATE CODE, COUNTRY OF ORIGIN AND AGENCY APPROVAL MARKING IN APPROXIMATE LOCATION SHOWN. DATE CODE: YYWW WHERE YY IS YEAR, WW IS WORK WEEK, D IS DAY OF WEEK, WITH SUNDAY=1.

8. PART SHOULD BE RECOMMENDED FOR WAVE SOLDERING PROCESS, PREHEAT TEMPERATURE IS 120°C TO 160°C, 120 SECONDS TO 180 SECONDS, PEAK WAVE SOLDERING TEMPERATURE IS 260°C MAX, 10 SECONDS MAX.



SUGGESTED PANEL CUTOUT



FOR 2250024-1
2250024-2
2250024-5

FOR 2250024-3
2250024-4

	YES	GREEN	WITHOUT	YELLOW	WITHOUT	2250024-5
	NO	GREEN	WITH	YELLOW	WITH	2250024-4
	NO	GREEN	WITH	GREEN	WITH	2250024-3
	YES	GREEN	WITH	GREEN	WITH	2250024-2
	YES	GREEN	WITH	YELLOW	WITH	2250024-1
EMI FINGER	11-12		250 OHMS RESISTOR	13-14		250 OHMS RESISTOR
	LED1			LED2		
						PART NUMBER

THIS DRAWING IS A CONTROLLED DOCUMENT.

OWN: ROY LIU 28MAY2013
 CHK: TOWER YU / FRANK LIU 28MAY2013
 APVD: TONY YUAN 28MAY2013

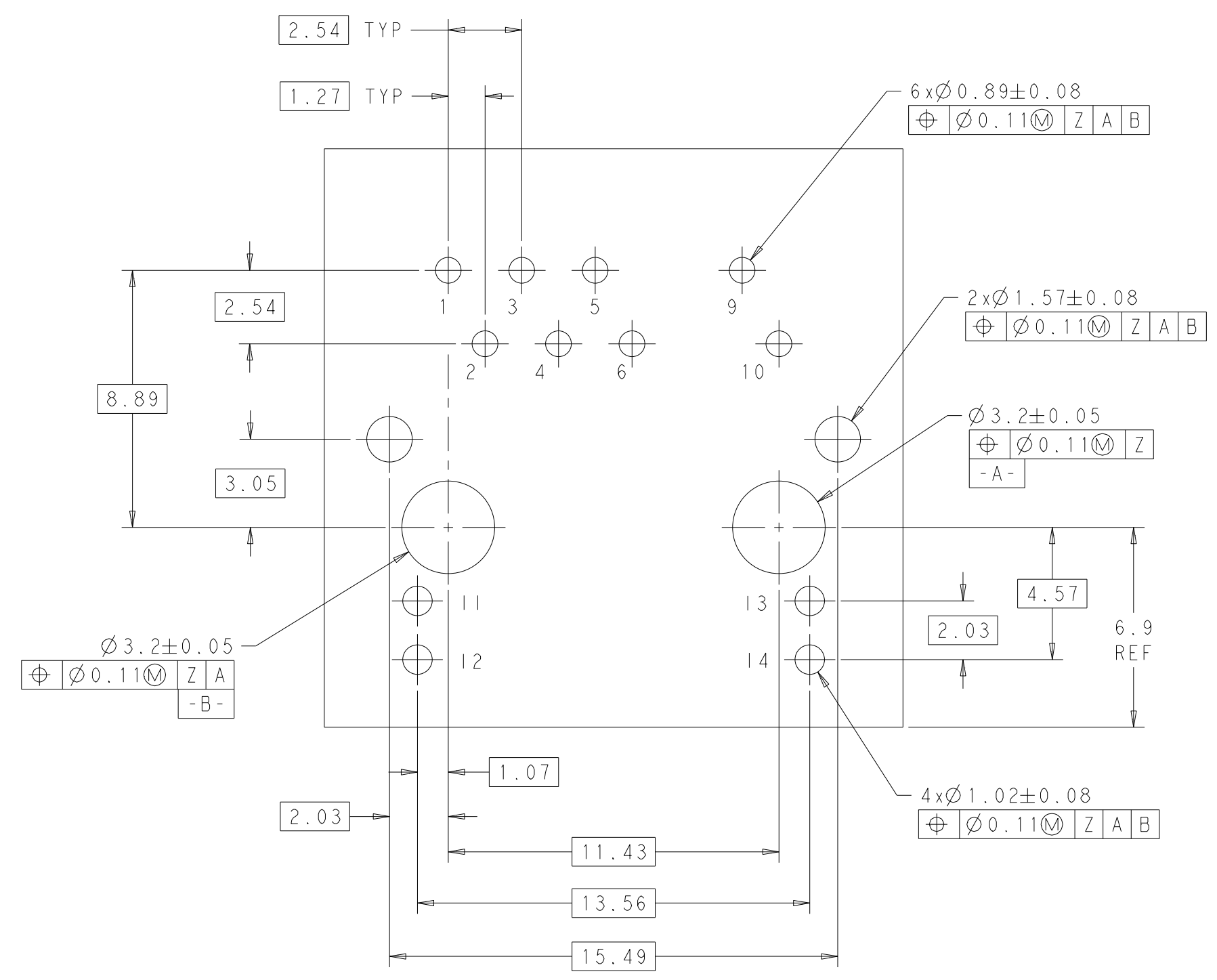
DIMENSIONS: mm
 0 PLC ±0.25
 1 PLC ±0.25
 2 PLC ±0.25
 3 PLC ±0.25
 4 PLC ±0.25
 ANGLES ±

PRODUCT SPEC APPLICATION SPEC

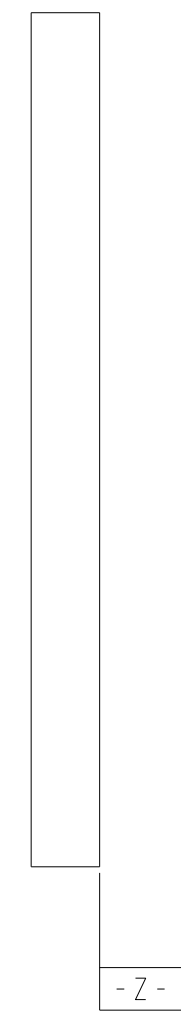
MODEL NAME: MAGJACK SINGLE PoE
 DESC: IXI 7D144 10/100 POE TAB UP W/ LED

SIZE: A1
 CAGE CODE: -
 DRAWING NO: C=2250024
 RESTRICTED TO: -

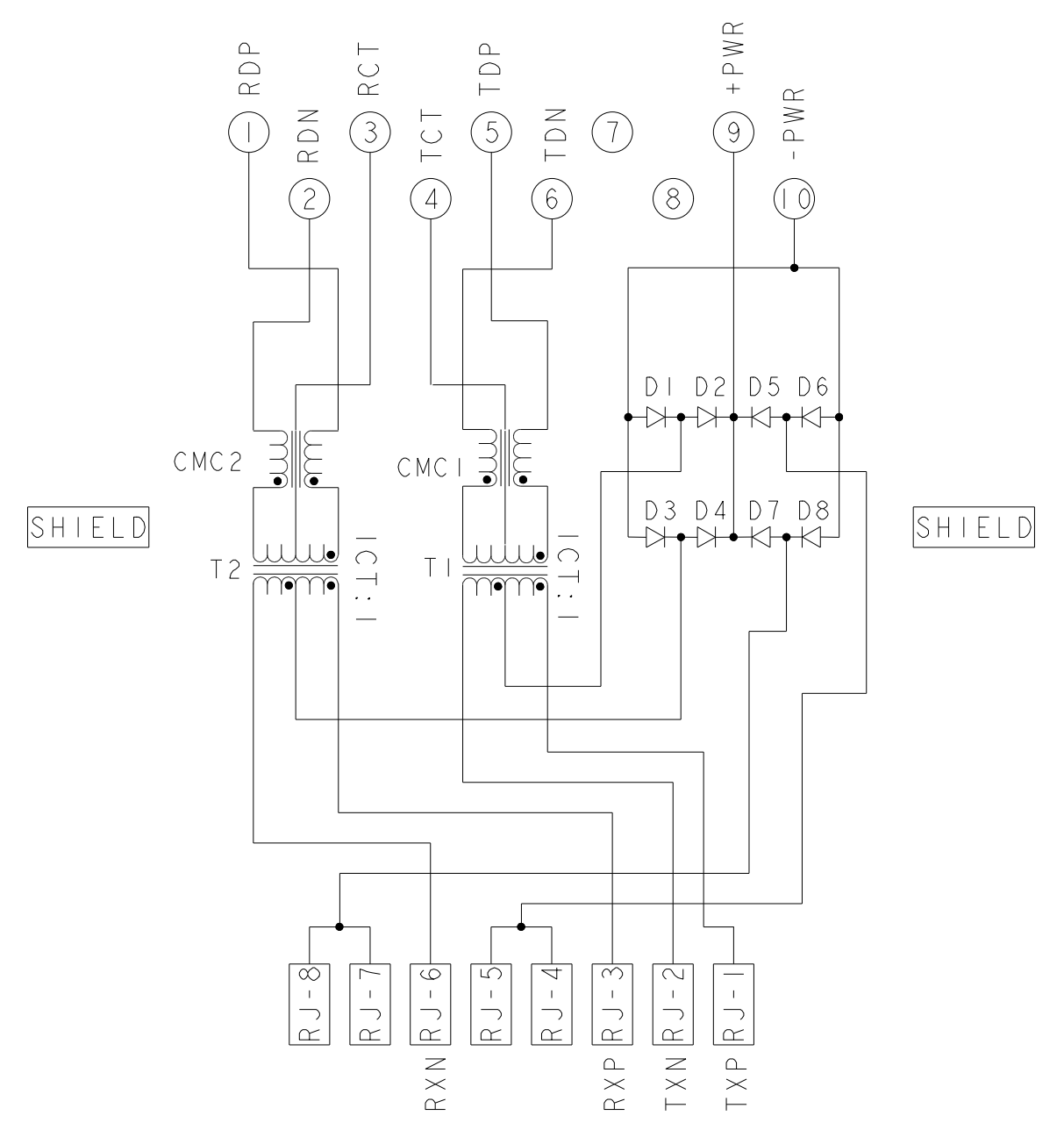
CUSTOMER DRAWING SCALE: 4:1 SHEET 1 OF 3 REV B



SUGGESTED PCB LAYOUT



7D144 PoE MAGNETIC CIRCUIT

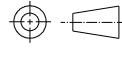



DI-D8 = RECTIFIER DIODE
 -FORWARD VOLTAGE, $V_f = 1.2V \text{ MAX @ } I_f = 0.5A$
 -FORWARD CURRENT, $I_f = 0.5A \text{ MAX}$
 -REVERSE VOLTAGE, $V_r = 80V \text{ MAX}$

THIS DRAWING IS A CONTROLLED DOCUMENT.		OWN ROY LIU 28MAY2013	DONGGUAN CHINA a bel group
DIMENSIONS: mm		CHK TOWER YU/ FRANK LIU 28MAY2013	
TOLERANCES UNLESS OTHERWISE SPECIFIED:		APP'D TONY YUAN 28MAY2013	
0 PLC ±0.25 1 PLC ±0.25 2 PLC ±0.25 3 PLC ±0.25 4 PLC ±0.25 ANGLES ±° APPLICATION SPEC	MODEL NAME MAGJACK SINGLE PoE	DESC IXI 7D144 10/100 POE TAB UP W/ LED	SIZE A1 CAGE CODE DRAWING NO. C=2250024 RESTRICTED TO CUSTOMER DRAWING
SCALE 4:1		SHEET 2 OF 3	REV B

C_2250024						STOCK DISPOSITION			
REVISION HISTORY						A: CONTINUE AS IS B: REWORK C: SCRAP		D: USE OLD FIRST E: PARTS TO CONFORM F: OTHER	
DATE	REV	CHANGES	REASON	APPROVAL	INVENTORY (A,B,C,D,E,F)	WORK IN PROCESS (A,B,C,F)	SUPPLIER ORDERS (A,E,F)	OPEN CUST ORDERS (A,E,F)	
28MAY2013	1	-	INITIAL RELEASE	TONY YUAN	-	-	-	-	
03JUN2013	2	ADD DASH NUMBER 2250024-3	MARKET REQUIREMENT	TONY YUAN	-	-	-	-	
06AUG2013	3	SHEET2,C7:ADD NUMBER:"11,12,13,14" FOR LED PIN HOLES	ERROR CORRECTION	TONY YUAN	-	-	-	-	
16AUG2013	4	ADD DASH NUMBER 2250024-4	MARKET REQUIREMENT	TONY YUAN	-	-	-	-	
17OCT2013	5	ITEM BLOCK: REFRESH NUMBER FOR LED LEGS	ERROR CORRECTION	TONY YUAN	-	-	-	-	
21MAY2014	6	1. NOTE1: DELETE THE OPTION OF "PALLADIUM NICKEL PLATING" FOR CONTACT 2. SHEET1, A7: ADD DIMENSION 0.25	MARKET REQUIREMENT	TONY YUAN	-	-	-	-	
20OCT2014	A	SHEET 1, PART TABLE: ADD DASH NUMBER -5 BASED ON 2250024-1 FOR REMOVING LED RESISTORS	MARKET REQUIREMENT	TONY YUAN	A	A	A	A	
31DEC2014	B	EC-1411035 COMPANY LOGO CHANGE	MARKET REQUEST	TONY YUAN	-	-	-	-	

THIS DRAWING IS A CONTROLLED DOCUMENT.

DIMENSIONS: mm 	TOLERANCES UNLESS OTHERWISE SPECIFIED: 0 PLC ±0.25 1 PLC ±0.25 2 PLC ±0.25 3 PLC ±0.25 4 PLC ± ANGLES ± APPLICATION SPEC	DWN ROY LIU 28MAY2013 CHK TOWER YU/ FRANK LIU 28MAY2013 APVD TONY YUAN 28MAY2013 MODEL NAME MAGJACK SINGLE PoE CUSTOMER DRAWING	 trp CONNECTOR a bel group DONGGUAN CHINA DESC IXI 7D144 10/100 POE TAB UP W/ LED SIZE A1 CAGE CODE DRAWING NO C=2250024 RESTRICTED TO SCALE 4:1 SHEET 3 OF 3 REV B
--	---	--	---