



Chipsmall Limited consists of a professional team with an average of over 10 year of expertise in the distribution of electronic components. Based in Hongkong, we have already established firm and mutual-benefit business relationships with customers from,Europe,America and south Asia,supplying obsolete and hard-to-find components to meet their specific needs.

With the principle of “Quality Parts,Customers Priority,Honest Operation,and Considerate Service”,our business mainly focus on the distribution of electronic components. Line cards we deal with include Microchip,ALPS,ROHM,Xilinx,Pulse,ON,Everlight and Freescale. Main products comprise IC,Modules,Potentiometer,IC Socket,Relay,Connector.Our parts cover such applications as commercial,industrial, and automotives areas.

We are looking forward to setting up business relationship with you and hope to provide you with the best service and solution. Let us make a better world for our industry!



Contact us

Tel: +86-755-8981 8866 Fax: +86-755-8427 6832

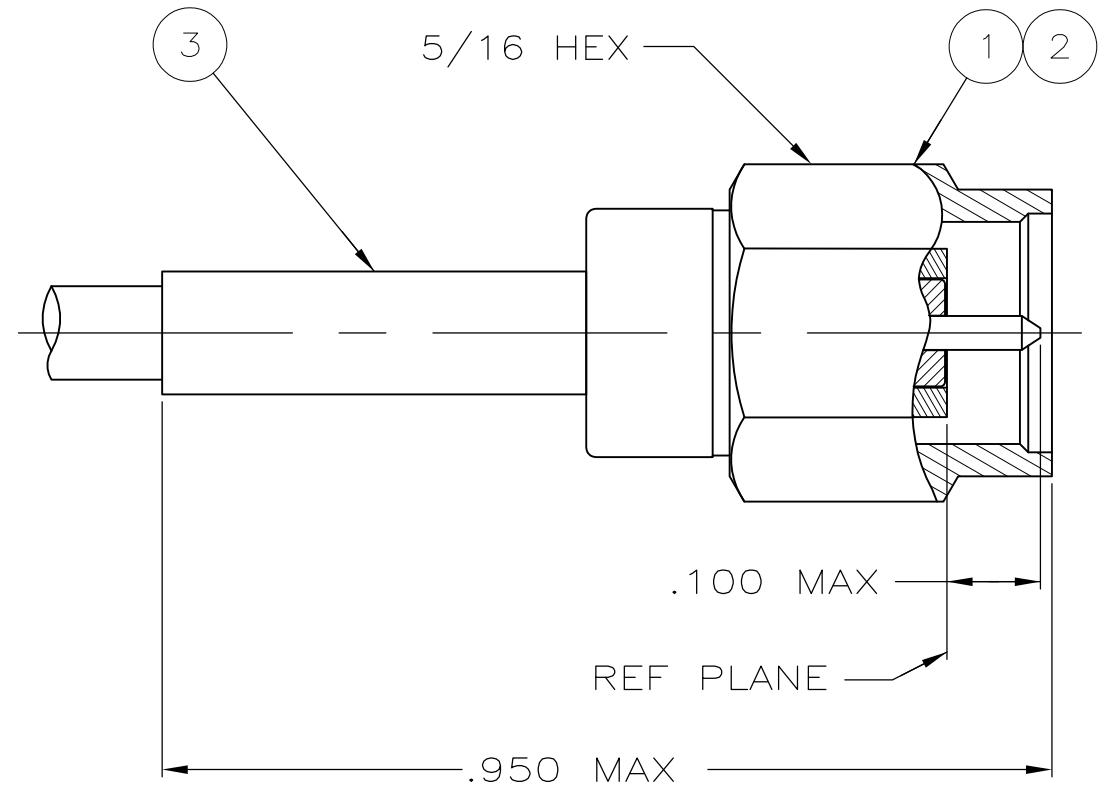
Email & Skype: info@chipsmall.com Web: www.chipsmall.com

Address: A1208, Overseas Decoration Building, #122 Zhenhua RD., Futian, Shenzhen, China

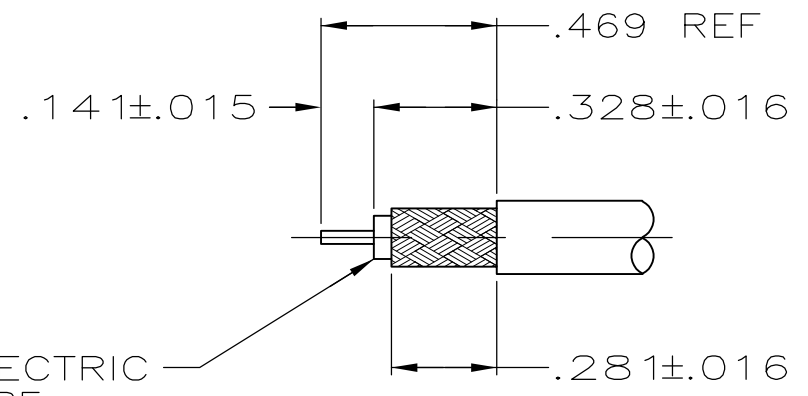


THIS DRAWING IS UNPUBLISHED. RELEASED FOR PUBLICATION
 © COPYRIGHT BY TYCO ELECTRONICS CORPORATION. ALL INTERNATIONAL RIGHTS RESERVED.

LOC	DIST	REVISIONS					
AJ	16	P	LTR	DESCRIPTION	DATE	DWN	APVD
		D		REV PER ECO 08-032217	13JAN2009	PK	DW



1. FOR USE WITH: DOUBLE BRAID RG-188/U CABLE .120 MAX I.D.
2. CRIMP WITH TOOL: P82-35097



CUT DIELECTRIC SQUARE

RECOMMENDED STRIP LENGTH SCALE: 2:1

QTY	PART NUMBER	DESCRIPTION	ITEM
1	50285-5	FERRULE	3
1	225540-4	CONTACT	2
1	225533-2	PLUG ASSEMBLY	1

THIS DRAWING IS A CONTROLLED DOCUMENT.		DWN L.A.MOSCO 9-29-88	Tyco Electronics Corporation Harrisburg, PA 17105-3608	
DIMENSIONS: INCHES		CHK S.J.MAGARO 9/30/88		
TOLERANCES UNLESS OTHERWISE SPECIFIED:		APVD N.L.GUSTIN 11-21-88	NAME	
0 PLC ± -		PRODUCT SPEC	-	
1 PLC ± -		APPLICATION SPEC	-	
2 PLC ± -		WEIGHT .006955 LB	SIZE A3	CAGE CODE 00779
3 PLC ± .008		CUSTOMER DRAWING	DRAWING NO C-1-225532-1	
4 PLC ± -			SCALE 5:1	SHEET 1 OF 1
ANGLES ± -		FINISH -		REV D