



Chipsmall Limited consists of a professional team with an average of over 10 year of expertise in the distribution of electronic components. Based in Hongkong, we have already established firm and mutual-benefit business relationships with customers from,Europe,America and south Asia,supplying obsolete and hard-to-find components to meet their specific needs.

With the principle of “Quality Parts,Customers Priority,Honest Operation,and Considerate Service”,our business mainly focus on the distribution of electronic components. Line cards we deal with include Microchip,ALPS,ROHM,Xilinx,Pulse,ON,Everlight and Freescale. Main products comprise IC,Modules,Potentiometer,IC Socket,Relay,Connector.Our parts cover such applications as commercial,industrial, and automotives areas.

We are looking forward to setting up business relationship with you and hope to provide you with the best service and solution. Let us make a better world for our industry!



Contact us

Tel: +86-755-8981 8866 Fax: +86-755-8427 6832

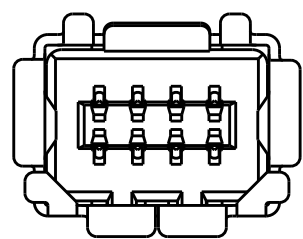
Email & Skype: info@chipsmall.com Web: www.chipsmall.com

Address: A1208, Overseas Decoration Building, #122 Zhenhua RD., Futian, Shenzhen, China

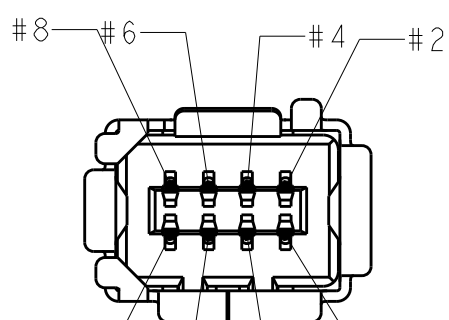
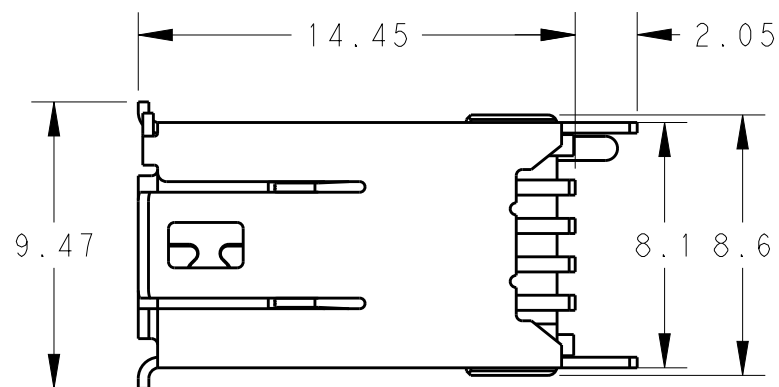


THIS DRAWING IS UNPUBLISHED. RELEASED FOR PUBLICATION
COPYRIGHT - BY - ALL RIGHTS RESERVED.

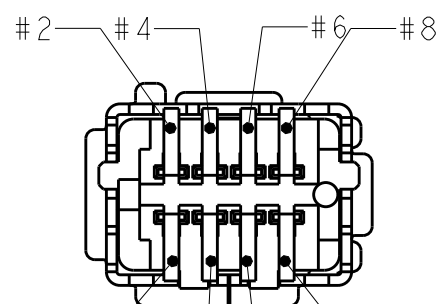
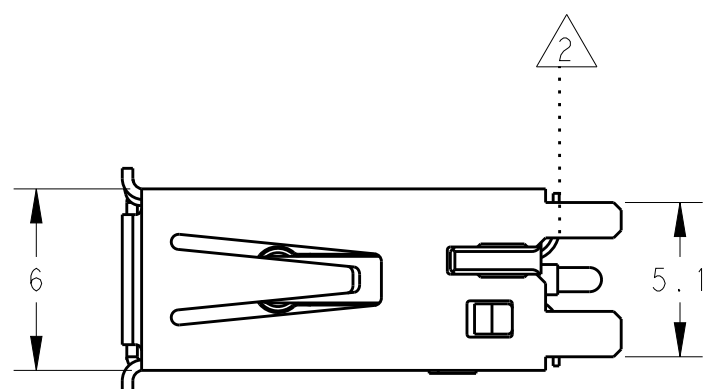
LOC	DIST	REVISIONS			
P	LTR	DESCRIPTION	DATE	DWN	APVD
-	-	A	NEW RELEASE	14DEC2015	L.Z. X.X.
-	-	B	ECR-16-006831 PACKAGE TRAY CHANGE	04MAY2016	L.Z. X.X.



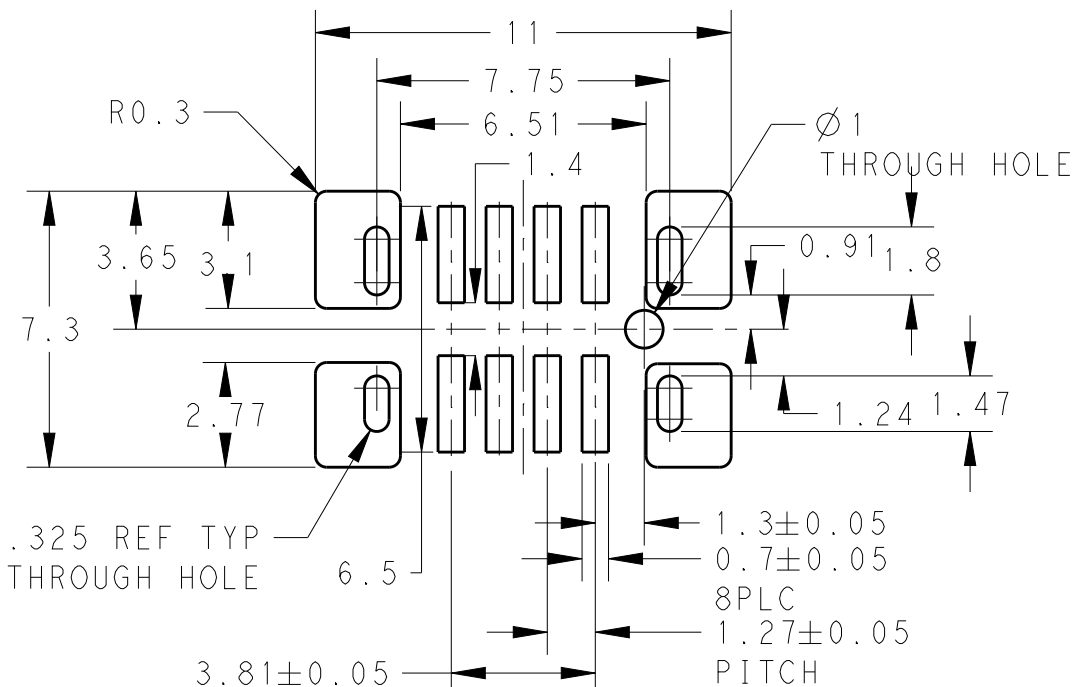
2271656-2
TYPE II



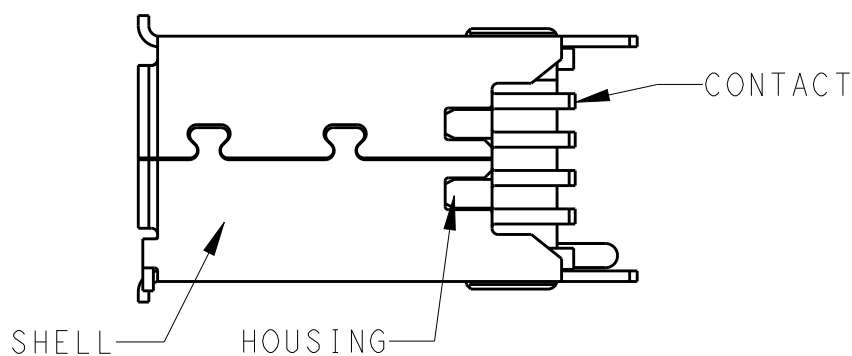
2271656-1
TYPE I



CIRCUIT NO



RECOMMENDED BOARD DIMENSION
t=1.6
SCALE 5:1
GENERAL TOL.: ±0.1



NOTES:
 1 MATERIAL AND FINISH
 CONTACT: COPPER ALLOY
 UNDER ALL SURFACE NICKEL 1.27µm MIN.
 TOP CONTACT AREA: GOLD 0.5µm MIN
 SOLDERING AREA: TIN PLATE
 HOUSING: THERMO PLASTIC(UL94V-0)
 SHELL: COPPER ALLOY
 UNDER ALL SURFACE NICKEL
 TOP ALL SURFACE TIN
 2 COPLANARITY 0.1 MAX
 (IN 8 TIPS OF CONTACTS)
 3 GENERAL TOL.: ±0.3; ±5°

8	TYPE II SMT RECEPTACLE WITH CAP	1-2271656-2
8	TYPE I SMT RECEPTACLE WITH CAP	1-2271656-1
8	TYPE II SMT RECEPTACLE	2271656-2
8	TYPE I SMT RECEPTACLE	2271656-1
POS	DESCRIPTION	PART NO

THIS DRAWING IS A CONTROLLED DOCUMENT.		DWN 01DEC2015 LEAR ZHANG	STE TE Connectivity		
DIMENSIONS: mm		CHK 01DEC2015 KOBBY ZHAO			
TOLERANCES UNLESS OTHERWISE SPECIFIED:		APVD 01DEC2015 XU XIANG	NAME SMT VERTICAL MINI I/O RECEPTACLE 1.27mm PITCH		
0 PLC ± 1 PLC ± 2 PLC ± 3 PLC ± 4 PLC ± ANGLES ±		PRODUCT SPEC 108-106087	SIZE A3	CAGE CODE -	DRAWING NO C-2271656
MATERIAL -		FINISH -	WEIGHT -	RESTRICTED TO -	SCALE 4:1
Customer Drawing			SHEET 1 OF 3	REV B	

4

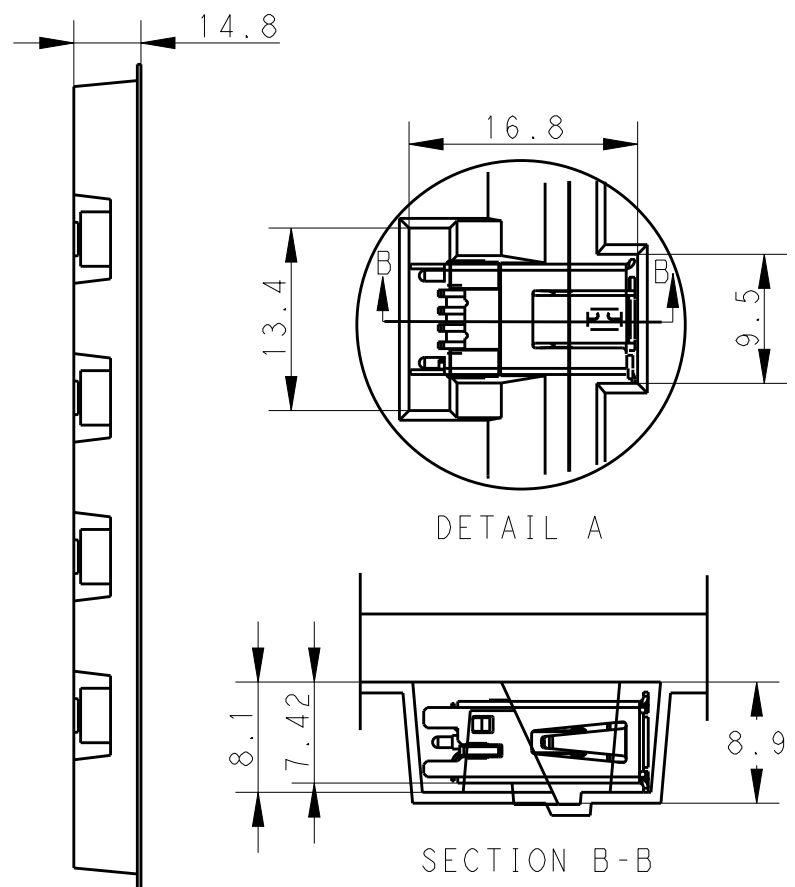
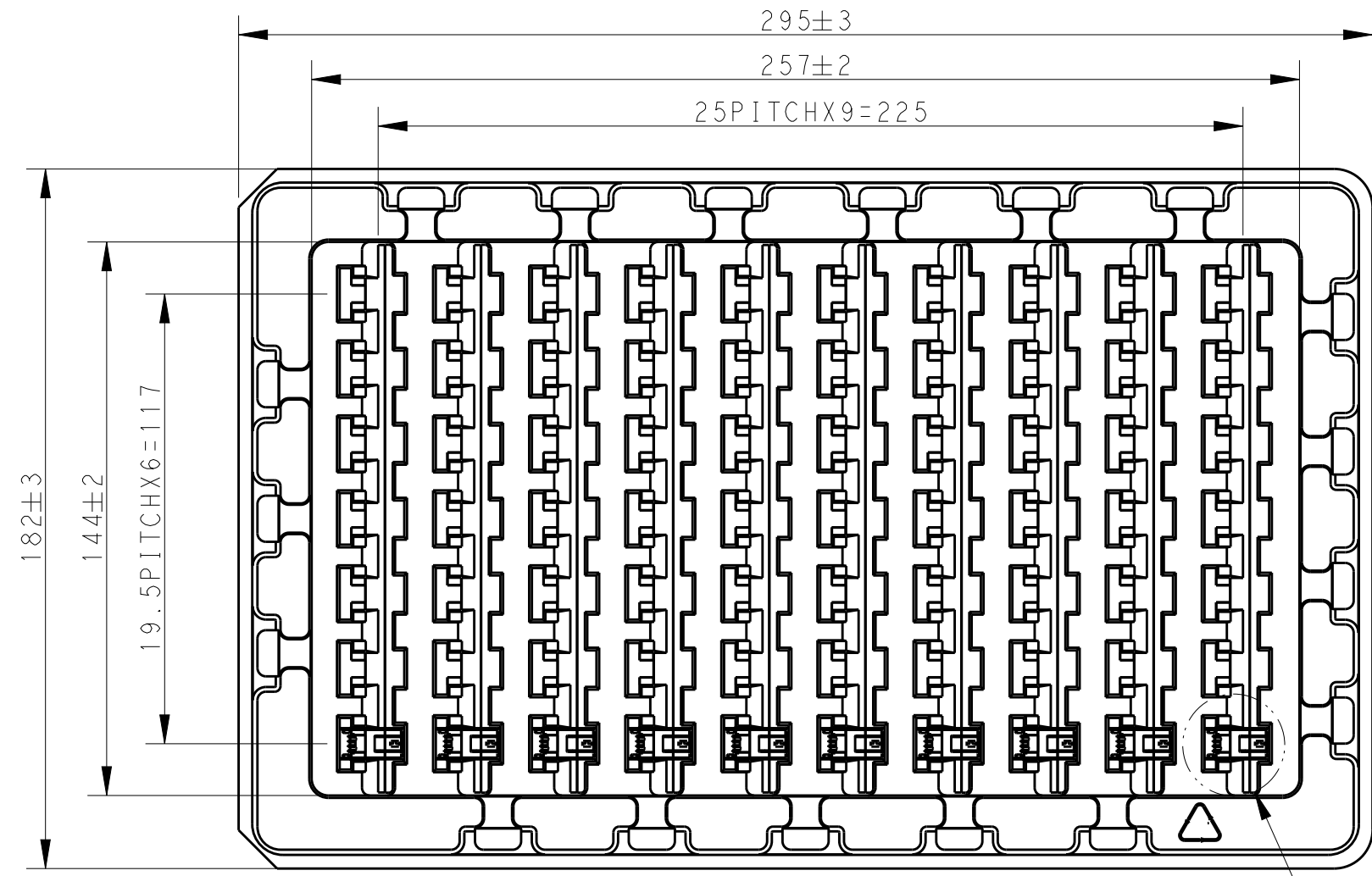
3

2

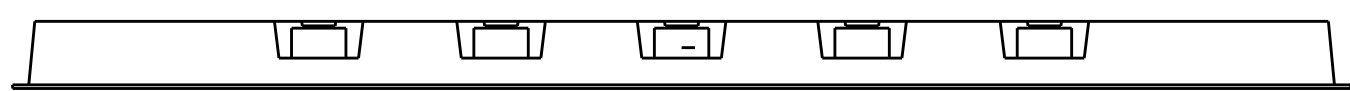
1

THIS DRAWING IS UNPUBLISHED. RELEASED FOR PUBLICATION
 © COPYRIGHT - BY - ALL RIGHTS RESERVED.

LOC	DIST	REVISIONS			
P	LTR	DESCRIPTION	DATE	DWN	APVD
-	-	SEE SHEET 1	-	-	-



SEE DETAIL A



NOTE:
 4 PACKAGE:
 70PCS PER TRAY FOR 2271656-1 & 2271656-2

PACKAGE AS SHOWN	2271656-2 2271656-1
DESCRIPTION	PART NO

THIS DRAWING IS A CONTROLLED DOCUMENT.		DWN	SEE SHEET 1	TE Connectivity NAME SMT VERTICAL MINI I/O RECEPTACLE 1.27mm PITCH			
DIMENSIONS:		CHK	SEE SHEET 1				
mm	TOLERANCES UNLESS OTHERWISE SPECIFIED:	APVD	SEE SHEET 1				
	0 PLC ±- 1 PLC ±- 2 PLC ±- 3 PLC ±- 4 PLC ±- ANGLES ±-	PRODUCT SPEC	SEE SHEET 1				
MATERIAL	FINISH	APPLICATION SPEC	-	SIZE	CAGE CODE	DRAWING NO	RESTRICTED TO
-	-	WEIGHT	-	A3	-	©-2271656	-
Customer Drawing				SCALE	4:1	SHEET	2 OF 3
				REV	B		

4

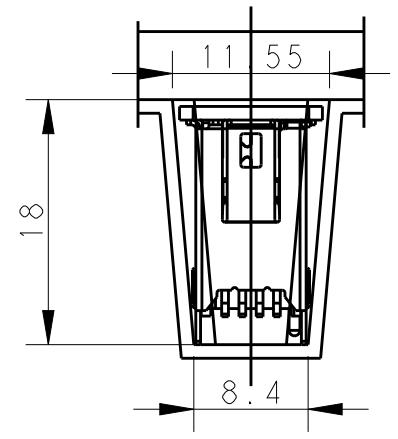
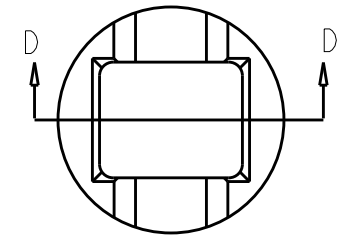
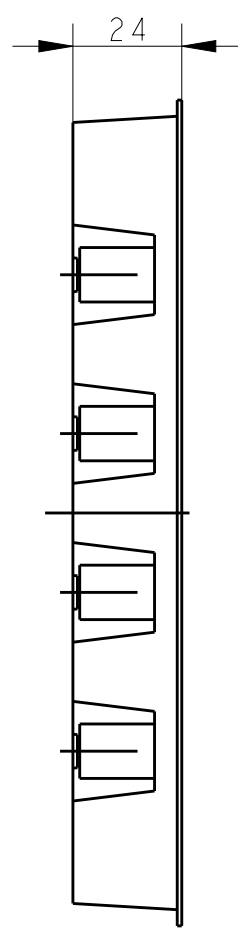
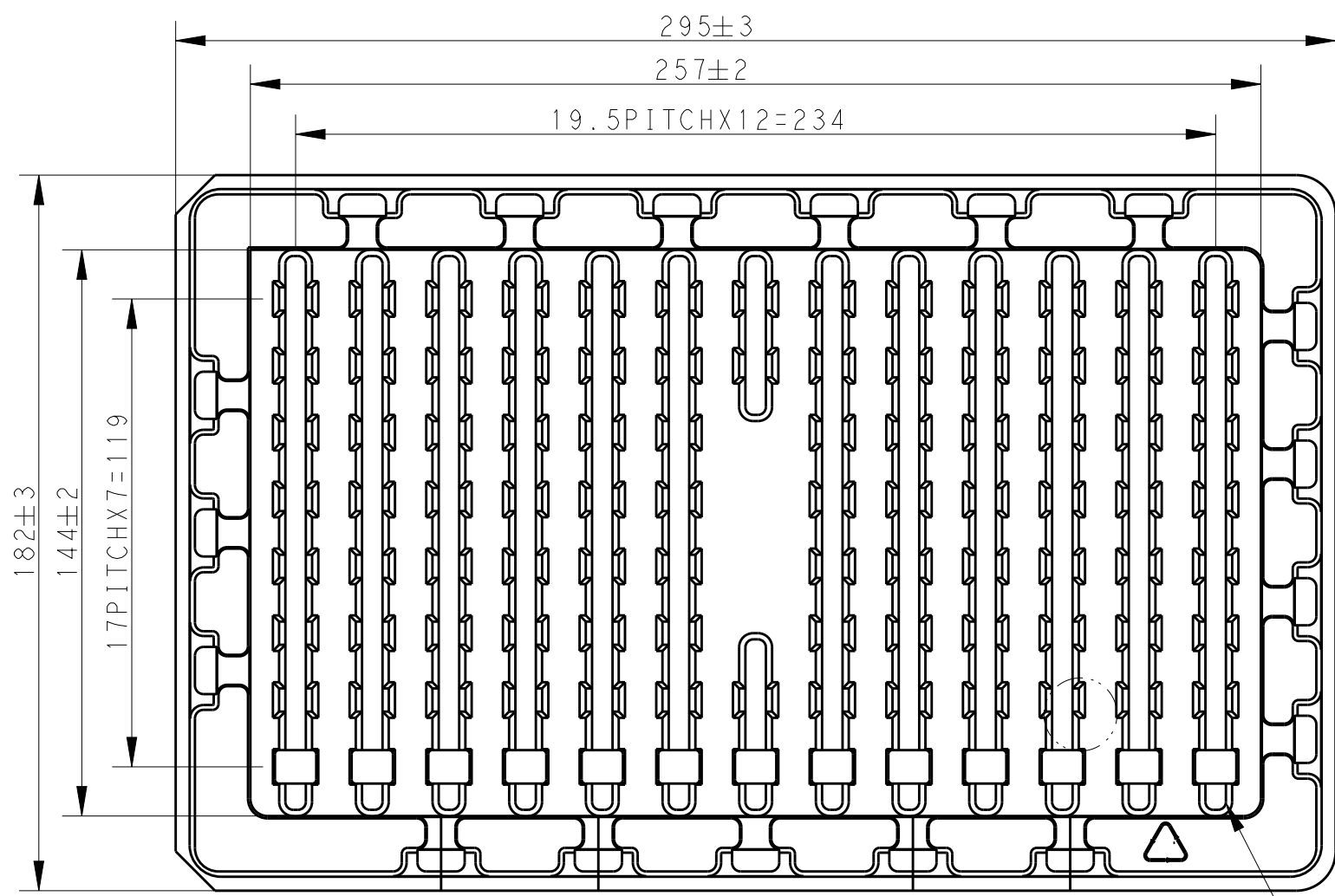
3

2

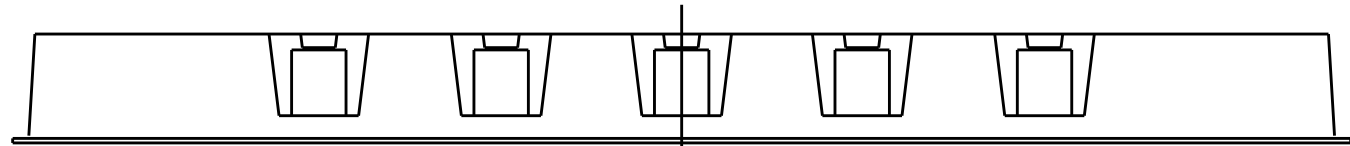
1

THIS DRAWING IS UNPUBLISHED. RELEASED FOR PUBLICATION
 © COPYRIGHT - BY - ALL RIGHTS RESERVED.

LOC		DIST		REVISIONS			
P	LTR	DESCRIPTION	DATE	DWN	APVD		
-	-	SEE SHEET 1	-	-	-		



SEE DETAIL C



NOTE:
 5 PACKAGE:
 100PCS PER TRAY FOR 1-2271656-1 & 1-2271656-2

THIS DRAWING IS A CONTROLLED DOCUMENT.	
DIMENSIONS: mm	TOLERANCES UNLESS OTHERWISE SPECIFIED:
	0 PLC ± -
	1 PLC ± -
	2 PLC ± -
	3 PLC ± -
	4 PLC ± -
ANGLES ± -	
MATERIAL -	FINISH -

DWN	SEE SHEET 1
CHK	SEE SHEET 1
APVD	SEE SHEET 1
PRODUCT SPEC	SEE SHEET 1
APPLICATION SPEC	-
WEIGHT	-

PACKAGE AS SHOWN	1-2271656-2 1-2271656-1
DESCRIPTION	PART NO

STE TE Connectivity

NAME
 SMT VERTICAL MINI I/O RECEPTACLE
 1.27mm PITCH

SIZE	CAGE CODE	DRAWING NO	RESTRICTED TO
A3	-	©-2271656	-

Customer Drawing SCALE 4:1 SHEET 3 OF 3 REV B