



Chipsmall Limited consists of a professional team with an average of over 10 year of expertise in the distribution of electronic components. Based in Hongkong, we have already established firm and mutual-benefit business relationships with customers from,Europe,America and south Asia,supplying obsolete and hard-to-find components to meet their specific needs.

With the principle of “Quality Parts,Customers Priority,Honest Operation,and Considerate Service”,our business mainly focus on the distribution of electronic components. Line cards we deal with include Microchip,ALPS,ROHM,Xilinx,Pulse,ON,Everlight and Freescale. Main products comprise IC,Modules,Potentiometer,IC Socket,Relay,Connector.Our parts cover such applications as commercial,industrial, and automotives areas.

We are looking forward to setting up business relationship with you and hope to provide you with the best service and solution. Let us make a better world for our industry!



## Contact us

Tel: +86-755-8981 8866 Fax: +86-755-8427 6832

Email & Skype: info@chipsmall.com Web: www.chipsmall.com

Address: A1208, Overseas Decoration Building, #122 Zhenhua RD., Futian, Shenzhen, China



THIS DRAWING IS UNPUBLISHED.

RELEASED FOR PUBLICATION

20

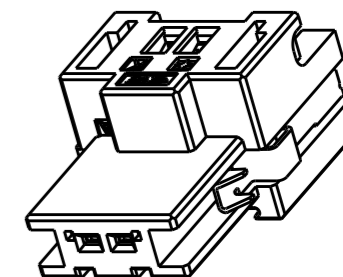
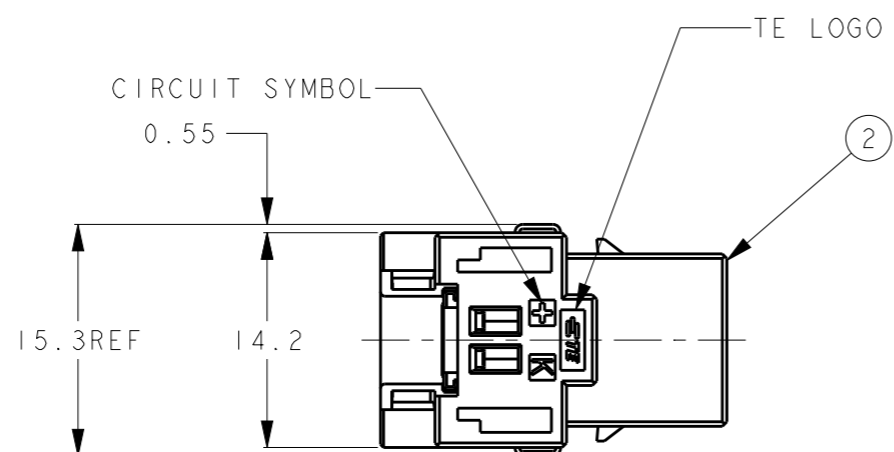
© COPYRIGHT 20 BY -

ALL RIGHTS RESERVED.

REVISIONS

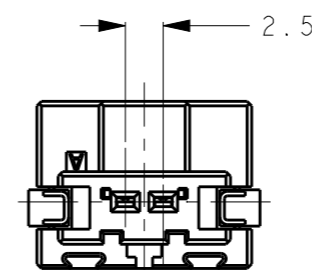
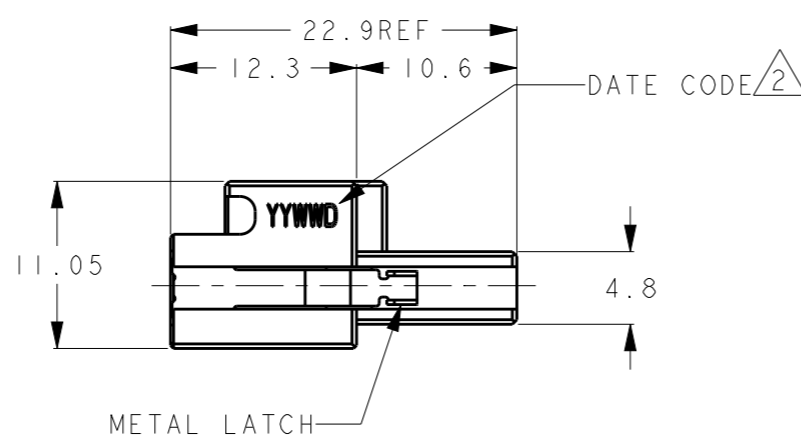
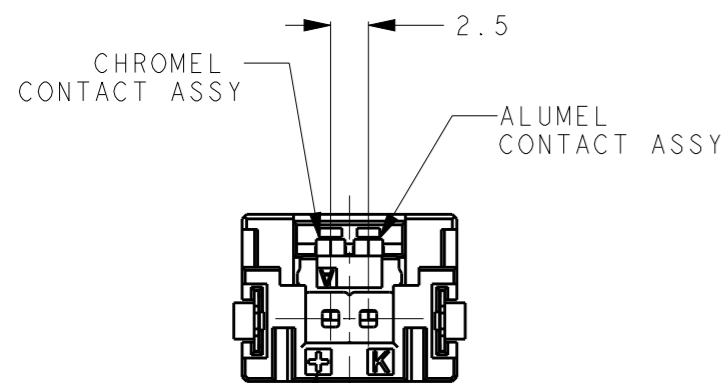
P	LTR	DESCRIPTION	DATE	DWN	APVD
	A	RELEASED	28MAR2016	K.T	E.T
	A1	REVISED	27APR2016	K.T	E.T
	B	REVISED	02JUN2016	K.T	E.T

REC ASSEMBLY



1 MATERIAL:  
 CONTACT ASSY: STAINLESS STEEL  
 CHROMEL / ALUMEL  
 METAL LATCH: STAINLESS STEEL  
 HOUSING: THERMOPLASTIC (UL94V-0)  
 TRAY: POLYSTYRENE

2 DATE CODE  
 YY: YEAR  
 WW: WEEK  
 D: DAY  
 3. REFER TO INSTRUCTION SHEET 408-78115.



CIRCUIT SYMBOL

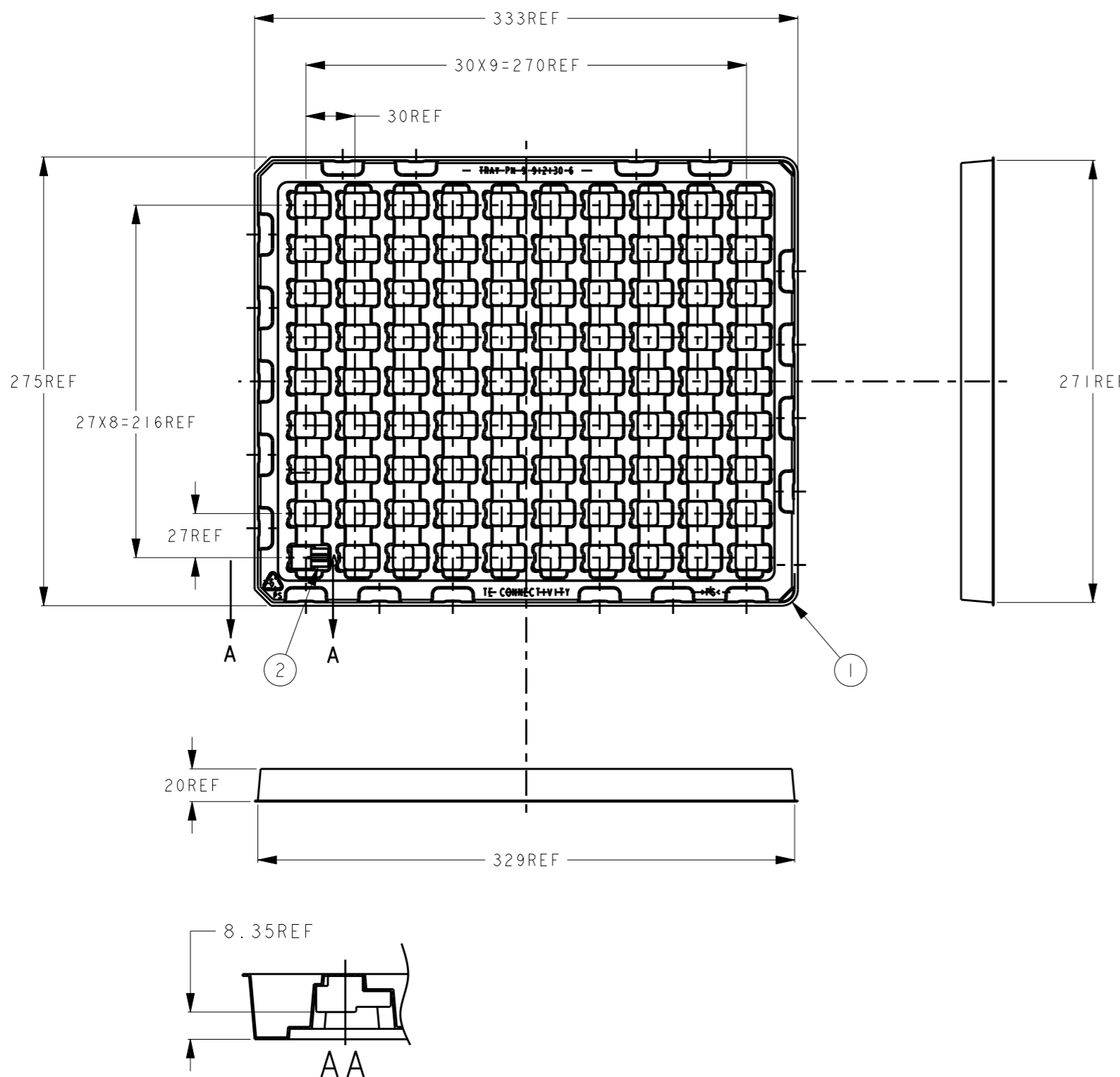
1-2299959-1		
90	REC ASSY(SHEET 1)	2
1	TRAY(SEE SHEET 2 OF 2)	1
Q'TY	DESCRIPTION	NO

THIS DRAWING IS A CONTROLLED DOCUMENT.		DWN K. TERAJIMA 28MAR2016	<b>STE</b> TE Connectivity	
DIMENSIONS: mm		CHK E. TAKEMASA 28MAR2016		
TOLERANCES UNLESS OTHERWISE SPECIFIED: ± 0.3		APVD E. TAKEMASA 28MAR2016	NAME TRAY PACKAGE. THERMOCOUPLE CONNECTOR K-TYPE 2POS REC ASSEMBLY	
0 PLC ± 1 PLC ± 2 PLC ± 3 PLC ± 4 PLC ± ANGLES ±5°		PRODUCT SPEC 108-140100	RESTRICTED TO	
MATERIAL		APPLICATION SPEC -	SIZE A3	CAGE CODE -
FINISH -		WEIGHT -	DRAWING NO C-2299959	SCALE 2:1
		CUSTOMER DRAWING	SHEET 1	OF 2
			REV B	


THIS DRAWING IS UNPUBLISHED. RELEASED FOR PUBLICATION 20  
© COPYRIGHT 20 BY - ALL RIGHTS RESERVED.

REVISIONS

P	LTR	DESCRIPTION	DATE	DWN	APVD
		SEE SHEET 1			



1-2299959-1: AS SHOWN

THIS DRAWING IS A CONTROLLED DOCUMENT.		DWN	 TE Connectivity	
DIMENSIONS: mm		CHK		
TOLERANCES UNLESS OTHERWISE SPECIFIED: ± 0.5		APVD	NAME TRAY PACKAGE, THERMOCOUPLE CONNECTOR K-TYPE 2POS REC ASSEMBLY	
0 PLC ±		PRODUCT SPEC	SIZE CAGE CODE DRAWING NO RESTRICTED TO	
1 PLC ±		APPLICATION SPEC	A3 - C-2299959 -	
2 PLC ±		WEIGHT	SCALE NTS SHEET 2 OF 2 REV B	
3 PLC ±		CUSTOMER DRAWING		
4 PLC ±				
ANGLES ±5°				
FINISH				
MATERIAL				