



Chipsmall Limited consists of a professional team with an average of over 10 year of expertise in the distribution of electronic components. Based in Hongkong, we have already established firm and mutual-benefit business relationships with customers from,Europe,America and south Asia,supplying obsolete and hard-to-find components to meet their specific needs.

With the principle of “Quality Parts,Customers Priority,Honest Operation,and Considerate Service”,our business mainly focus on the distribution of electronic components. Line cards we deal with include Microchip,ALPS,ROHM,Xilinx,Pulse,ON,Everlight and Freescale. Main products comprise IC,Modules,Potentiometer,IC Socket,Relay,Connector.Our parts cover such applications as commercial,industrial, and automotives areas.

We are looking forward to setting up business relationship with you and hope to provide you with the best service and solution. Let us make a better world for our industry!



Contact us

Tel: +86-755-8981 8866 Fax: +86-755-8427 6832

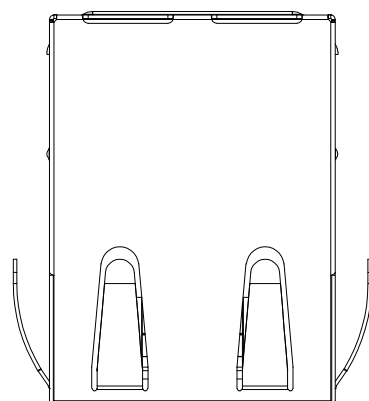
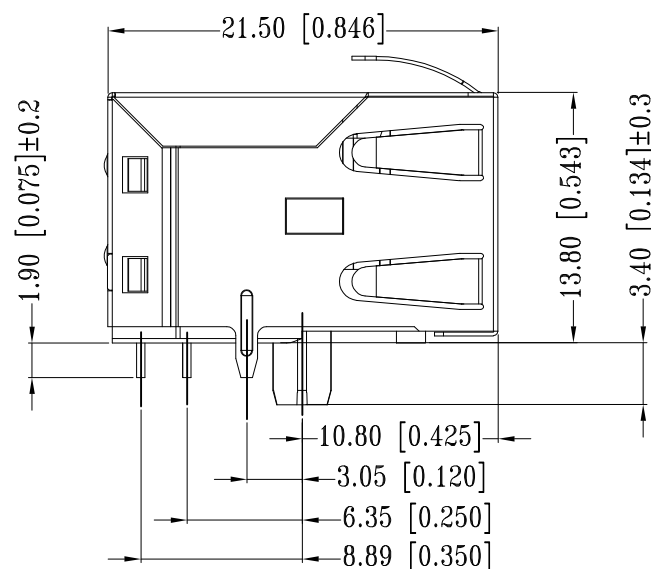
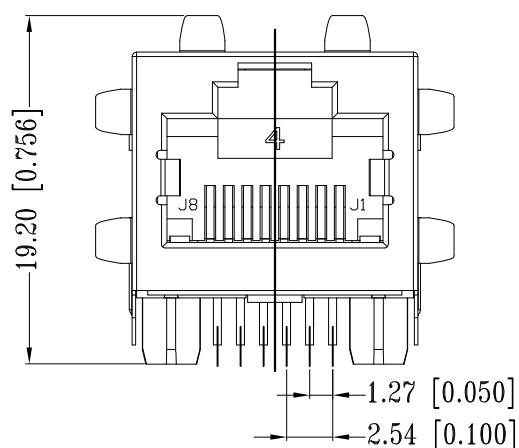
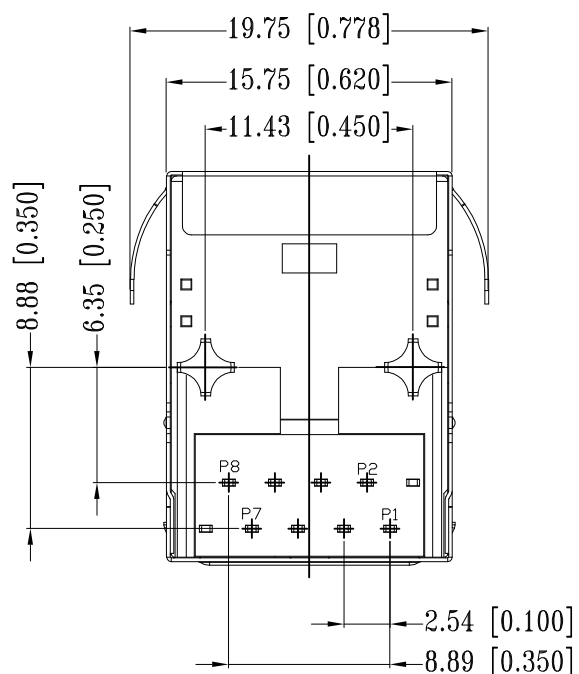
Email & Skype: info@chipsmall.com Web: www.chipsmall.com

Address: A1208, Overseas Decoration Building, #122 Zhenhua RD., Futian, Shenzhen, China

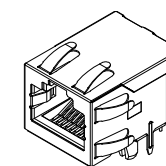


REVISIONS

P	LTR	DESCRIPTION	DATE	DWN	APVD
	B2	REV. PER PCN E-17-002286	28FEB2017	GCM	MSZ




- 1 CONNECTOR MATERIAL:
HOUSING: LCP BLACK UL94 V-0
INSERT: LCP BLACK UL94 V-0
SHIELD: BRASS
SHIELD PLATING: NICKEL
CONTACT: COPPER ALLOY
CONTACT PLATING: SELECTIVE GOLD, MIN. 0.76µm (30µinch) IN CONTACT AREA
OVER MIN. 1.27µm (50µinch) NICKEL
SOLDER PIN PLATING: 3.05µm (120µinch) TIN OVER 1.02µm (40µinch) NICKEL OVER ALL
SHIELDING PIN PLATING: NICKEL
- 2 PIN NOT ELECTRICALLY CONNECTED MAYBE OMITTED SEE ELECTRICAL CIRCUIT DIAGRAM FOR OMITTED PINS
- 3 RJ45 CAVITIES CONFORM TO FCC RULES AND REGULATION PART 68
- 4 THE PART IS RECOMMENDED FOR REFLOW SOLDERING PROCESS PEAK
SOLDERING: TEMPERATURE MAX. +260° C, MAX. 10s
- 5 OPERATING TEMPERATURE: T = -40° C TO +85° C
- 6 STORAGE TEMPERATURE: T = -40° C TO +85° C
- 7 UNLESS OTHERWISE SPECIFIED, SEE TABLE FOR ALL DIMENSIONS TOLERANCES
- 8 JACK CONFIGURATION: 1 x 1
TAB DIRECTION: UP
- 9 PACKAGING: REEL (T+R) ACCORDING TO PACKAGING SPECIFICATION 107-18116



1:1

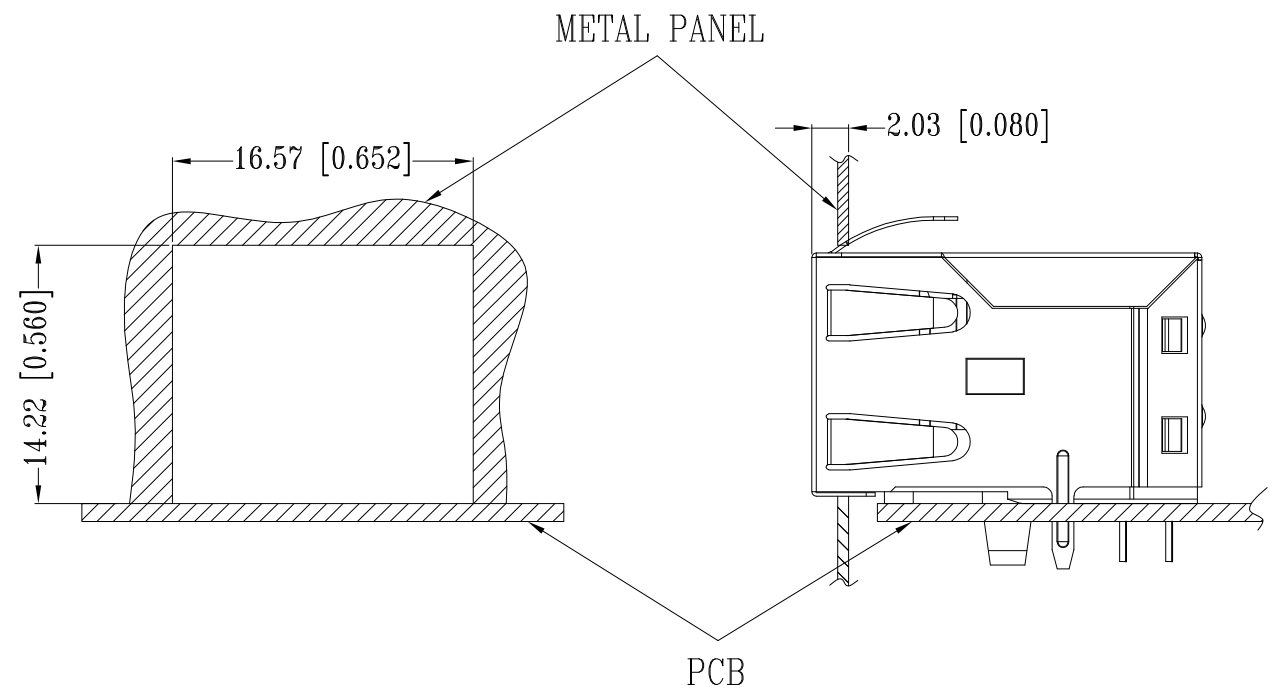
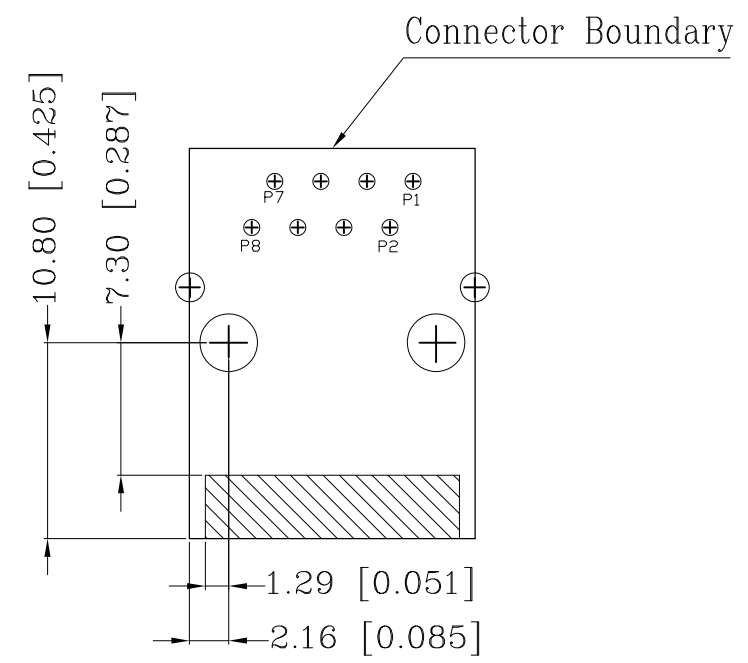
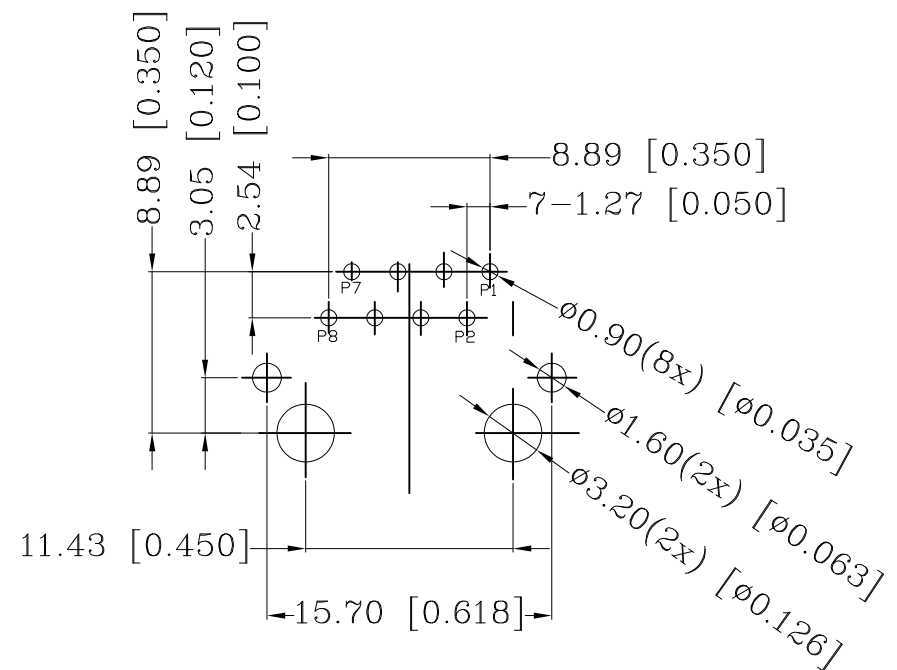
TABLE OF TOLERANCE (mm)	
RANGE	TOLERANCE
0-10	±0.15
>10-40	±0.25
>40-70	±0.30
>70	±0.40

THIS DRAWING IS A CONTROLLED DOCUMENT.		DWN 16AUG2016 GANESH C M	 TE Connectivity																
DIMENSIONS: mm [INCHES]		CHK 16AUG2016 FRANZ MUELLER																	
TOLERANCES UNLESS OTHERWISE SPECIFIED:		APVD 16AUG2016 MARTIN SZELAG	NAME RJ45 JACK INT.MAG. 10/100 1x1 INV.																
<table border="0"> <tr> <td>0 PLC</td> <td>± -</td> <td rowspan="5">7</td> </tr> <tr> <td>1 PLC</td> <td>± -</td> </tr> <tr> <td>2 PLC</td> <td>± -</td> </tr> <tr> <td>3 PLC</td> <td>± -</td> </tr> <tr> <td>4 PLC</td> <td>± -</td> </tr> <tr> <td>ANGLES</td> <td>± -</td> <td></td> </tr> </table>		0 PLC	± -	7	1 PLC	± -	2 PLC	± -	3 PLC	± -	4 PLC	± -	ANGLES	± -		PRODUCT SPEC 108-94552	-		
0 PLC	± -	7																	
1 PLC	± -																		
2 PLC	± -																		
3 PLC	± -																		
4 PLC	± -																		
ANGLES	± -																		
MATERIAL		FINISH	APPLICATION SPEC 114-94447	SIZE	CAGE CODE	DRAWING NO	RESTRICTED TO												
1		1	WEIGHT	A3	00779	C-2301994-1	-												
CUSTOMER DRAWING			SCALE	SHEET	REV														
			3:1	1 OF 3	B2														


REVISIONS

P	LTR	DESCRIPTION	DATE	DWN	APVD
-	-	SEE SHEET 1	-	-	-

SUGGESTED PCB LAYOUT



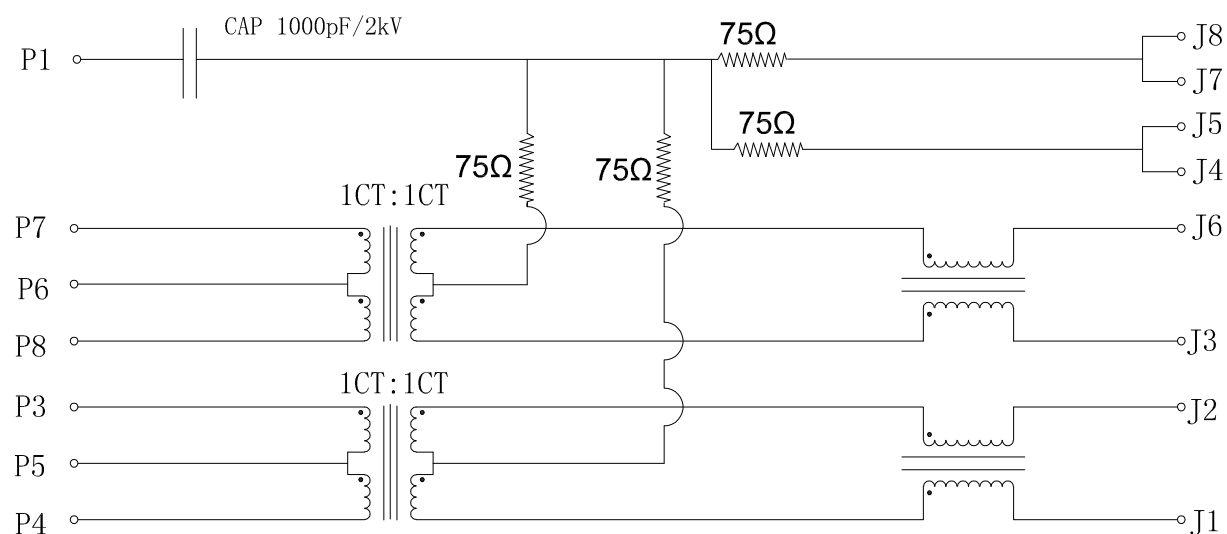
UNIT: mm / inch
TOLERANCES: ± 0.10 / 0.004

THIS DRAWING IS A CONTROLLED DOCUMENT.		DWN GANESH C M 16AUG2016	 TE Connectivity			
DIMENSIONS: mm [INCHES]		CHK FRANZ MUELLER 16AUG2016				
TOLERANCES UNLESS OTHERWISE SPECIFIED:		APVD MARTIN SZELAG 16AUG2016	NAME RJ45 JACK INT.MAG. 10/100 1x1 INV.			
<ul style="list-style-type: none"> 0 PLC $\pm -$ 1 PLC $\pm -$ 2 PLC $\pm -$ 3 PLC $\pm -$ 4 PLC $\pm -$ ANGLES $\pm -$ 		PRODUCT SPEC 108-94552	-			
MATERIAL		APPLICATION SPEC 114-94447	SIZE A3	CAGE CODE 00779	DRAWING NO C-2301994-1	RESTRICTED TO -
FINISH		WEIGHT	SCALE 3:1		SHEET 2 OF 3	REV B2
1		CUSTOMER DRAWING				

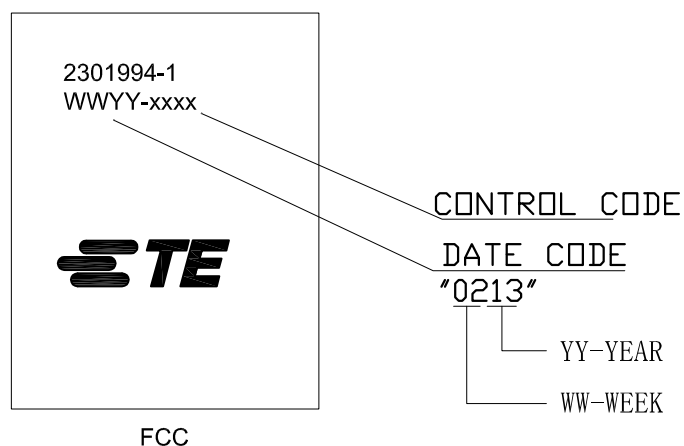
REVISIONS

P	LTR	DESCRIPTION	DATE	DWN	APVD
-	-	SEE SHEET 1	-	-	-

ELECTRICAL CIRCUIT DIAGRAM



- 1.0 Turn Ratio @100kHz: (P4~P3):(J1~J2) = 1:1±2%
(P8~P7):(J3~J6) = 1:1±2%
- 2.0 Primary Inductance: 350μH MIN. @100kHz, 0.1V 8mA DC BIAS
- 3.0 DC Resistance: 1.2 OHMS MAX.
- 4.0 Insertion Loss: 1-100MHz -1.2dB MAX.
- 5.0 Return Loss: 1-30MHz -16dB MIN.
30-60MHz -12dB MIN.
60-80MHz -10dB MIN.
- 6.0 CROSS TALK: 1-100MHz -30dB MIN.
- 7.0 COMMON TO COMMON MODE ATTENUATION: 1-100MHz -30dB MIN.
- 8.0 Isolation: PHY Side to Line Side: 2250VDC



THIS DRAWING IS A CONTROLLED DOCUMENT.		DWN GANESH C M 16AUG2016	TE TE Connectivity		
DIMENSIONS: mm [INCHES]		CHK FRANZ MUELLER 16AUG2016			
TOLERANCES UNLESS OTHERWISE SPECIFIED:		APVD MARTIN SZELAG 16AUG2016	NAME RJ45 JACK INT.MAG. 10/100 1x1 INV.		
0 PLC ± - 1 PLC ± - 2 PLC ± - 3 PLC ± - 4 PLC ± - ANGLES ± -		PRODUCT SPEC 108-94552	-		
MATERIAL 1		FINISH 1	APPLICATION SPEC 114-94447	SIZE A3	CAGE CODE 00779
		WEIGHT		DRAWING NO C-2301994-1	RESTRICTED TO -
CUSTOMER DRAWING			SCALE 3:1	SHEET 3 OF 3	REV B2