



Chipsmall Limited consists of a professional team with an average of over 10 year of expertise in the distribution of electronic components. Based in Hongkong, we have already established firm and mutual-benefit business relationships with customers from,Europe,America and south Asia,supplying obsolete and hard-to-find components to meet their specific needs.

With the principle of “Quality Parts,Customers Priority,Honest Operation,and Considerate Service”,our business mainly focus on the distribution of electronic components. Line cards we deal with include Microchip,ALPS,ROHM,Xilinx,Pulse,ON,Everlight and Freescale. Main products comprise IC,Modules,Potentiometer,IC Socket,Relay,Connector.Our parts cover such applications as commercial,industrial, and automotives areas.

We are looking forward to setting up business relationship with you and hope to provide you with the best service and solution. Let us make a better world for our industry!



Contact us

Tel: +86-755-8981 8866 Fax: +86-755-8427 6832

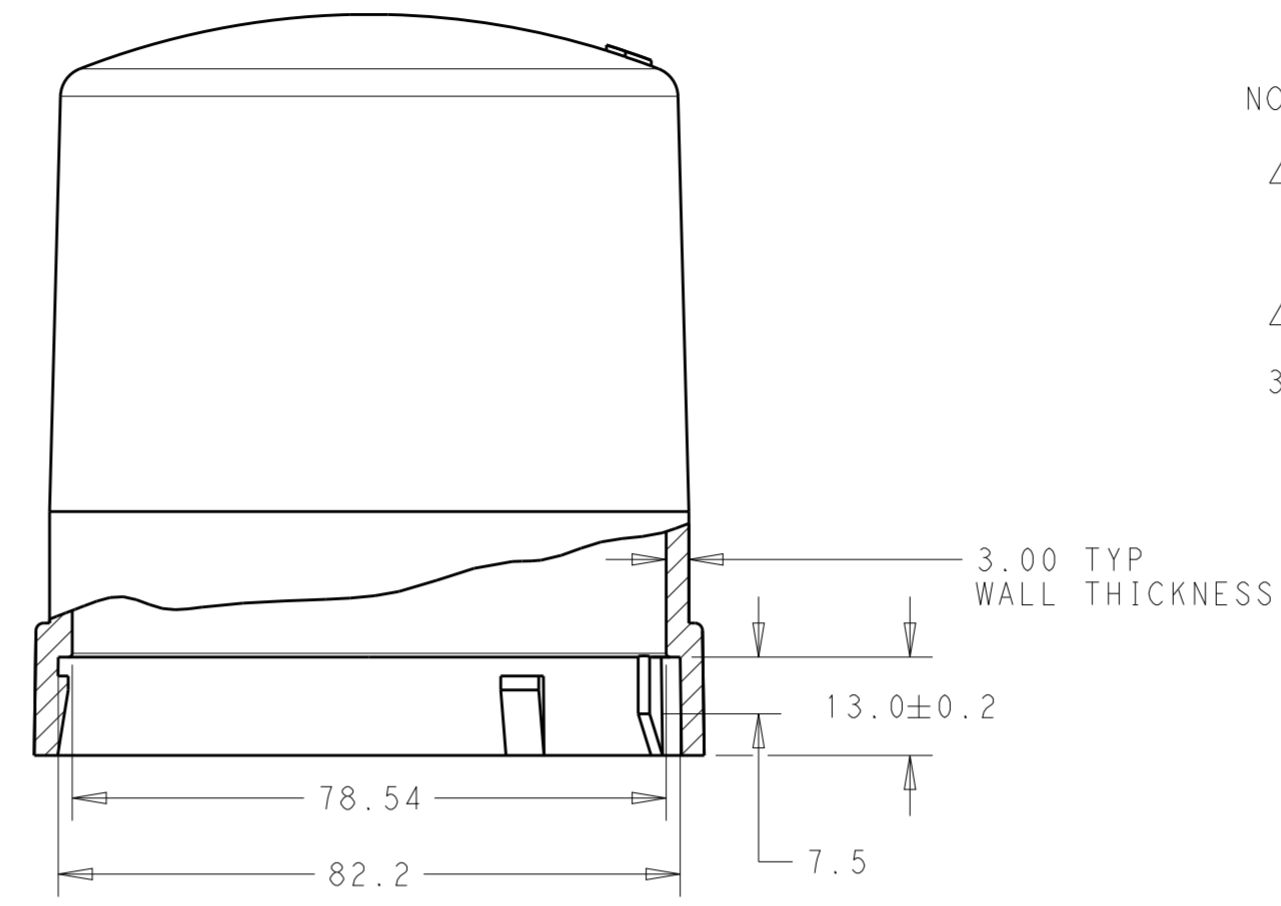
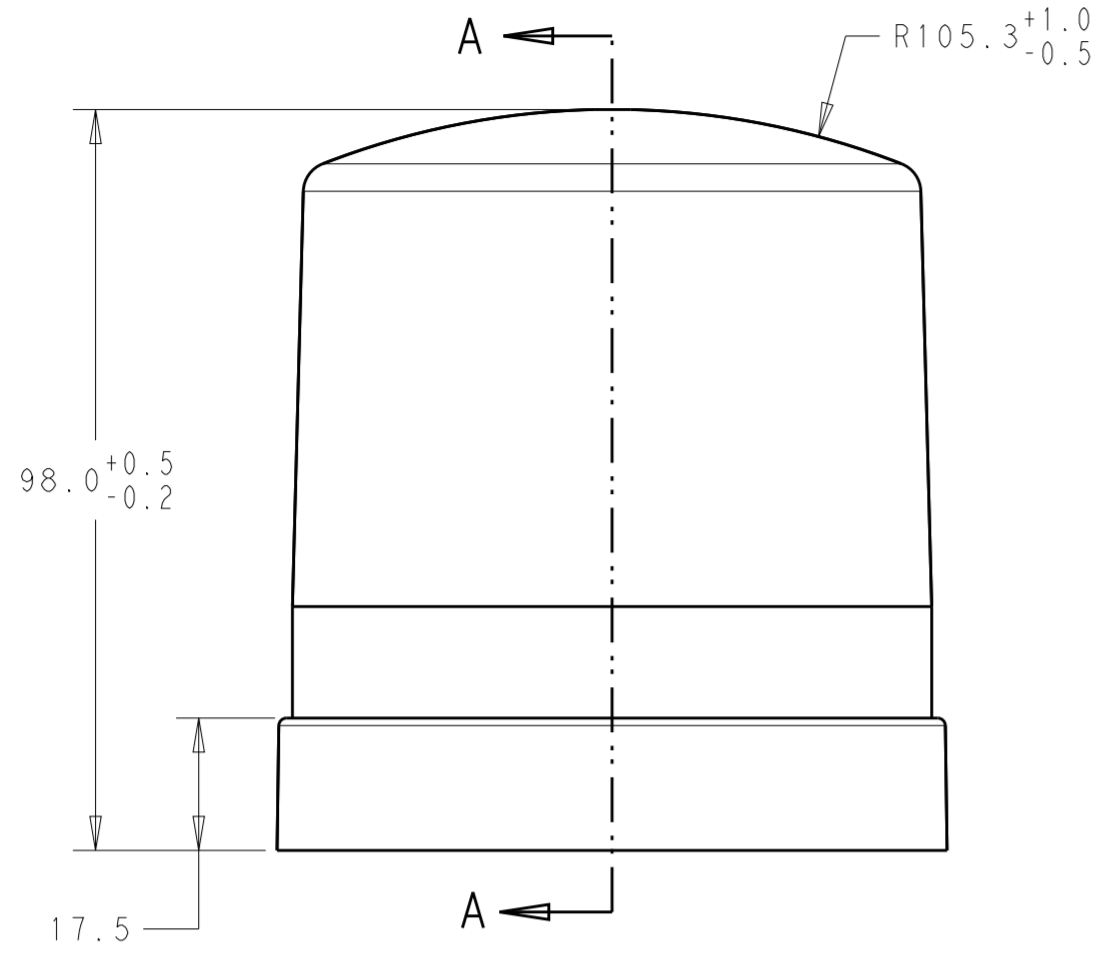
Email & Skype: info@chipsmall.com Web: www.chipsmall.com

Address: A1208, Overseas Decoration Building, #122 Zhenhua RD., Futian, Shenzhen, China



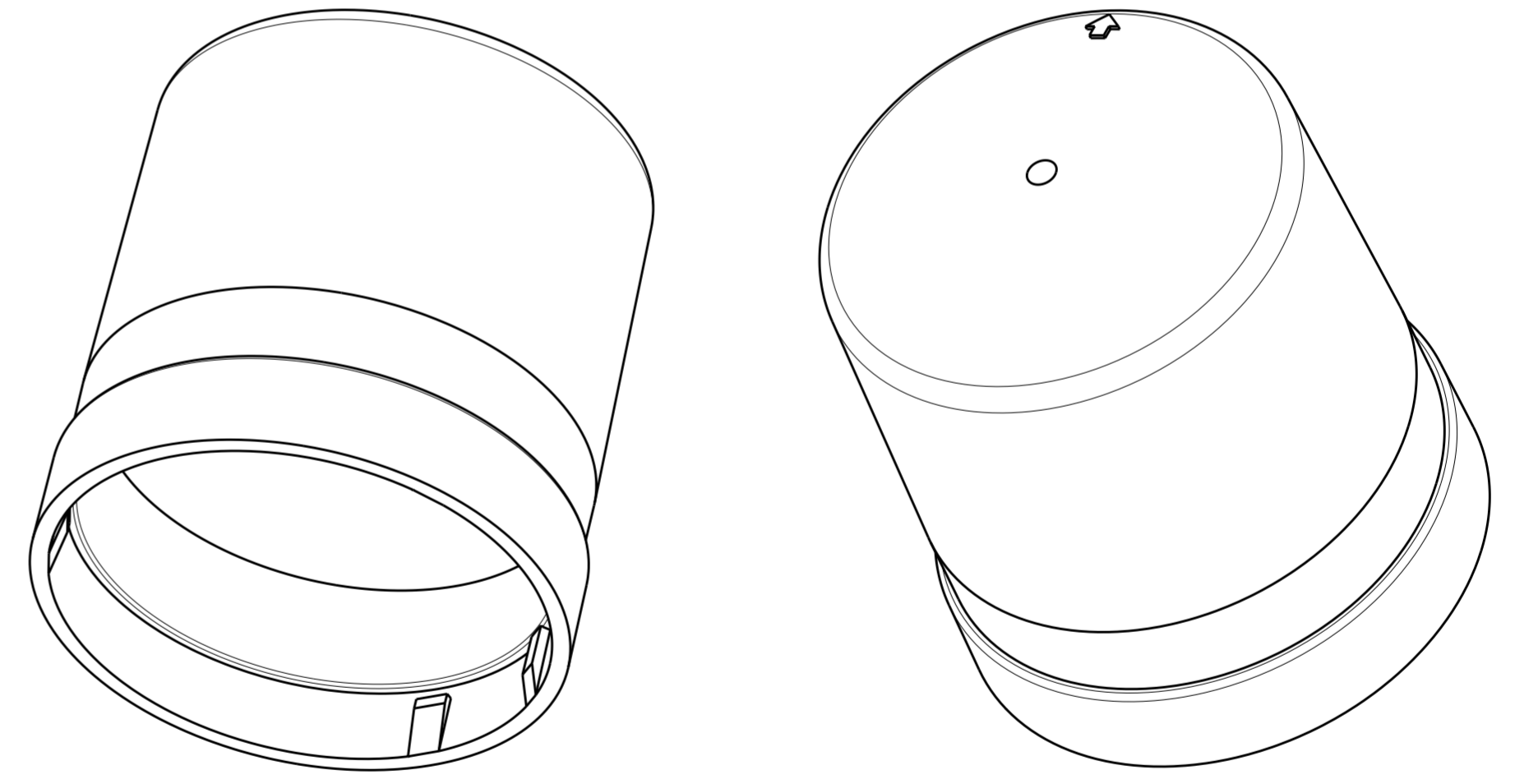
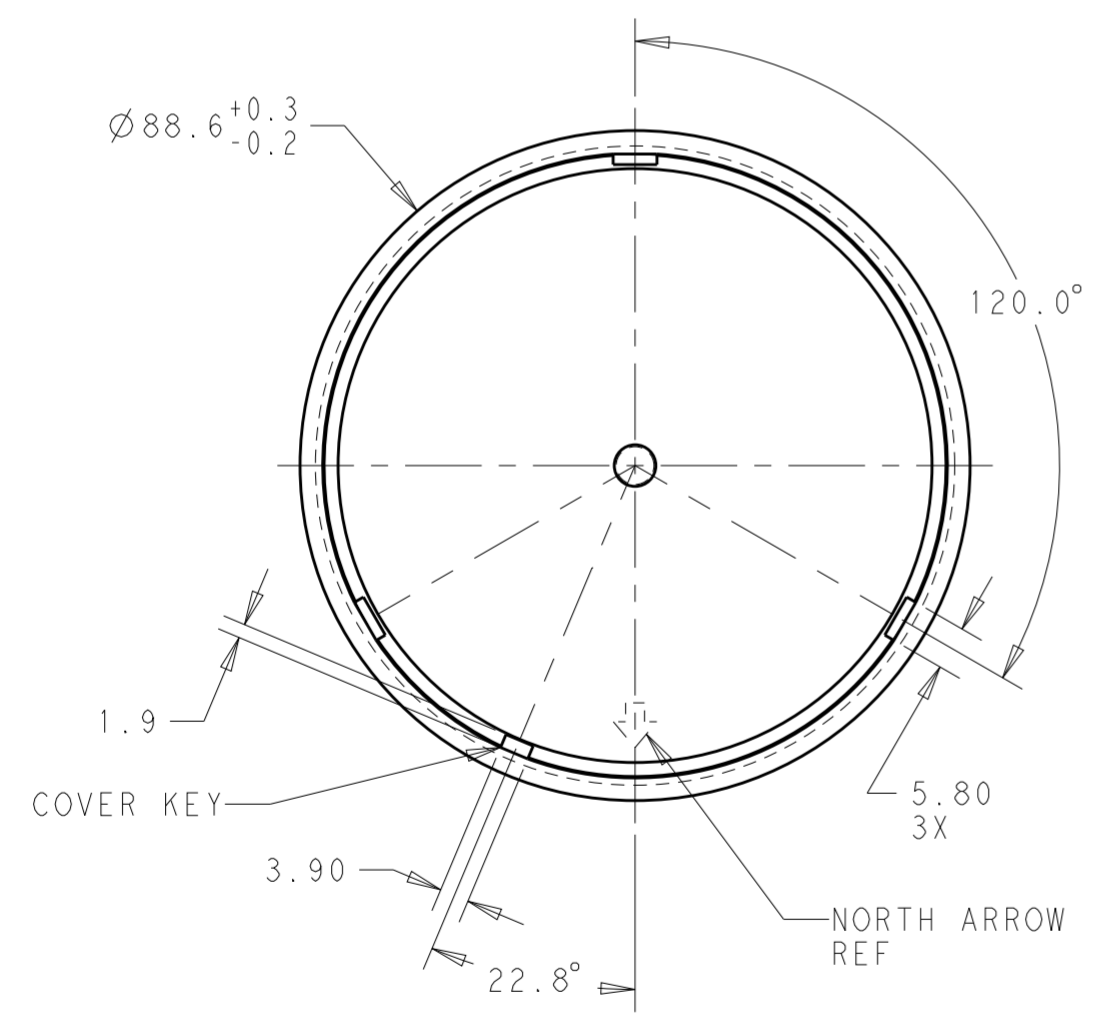
THIS DRAWING IS UNPUBLISHED. RELEASED FOR PUBLICATION 20
 © COPYRIGHT 20 BY - ALL RIGHTS RESERVED.

REVISIONS					
P	LTR	DESCRIPTION	DATE	DWN	APVD
A		REVISED PER ECO-17-010638	21JUL2017	RK	DD
A1		REVISED PER ECO-XX-XXXXXX	27JUN2018	JS	JL



SECTION A-A

NOTES:
 1. MATERIALS:
 HOUSING: POLYCARBONATE, UV 5VA RATED
 COLOR: SEE TABLE
 2. MATING BASE TE P/N: 2213871-2,1-2213871-2.
 3. THIS PRODUCT HAS NOT COMPLETED VALIDATION TESTING.



TRANSMISSION	COLOR	PART NO.
78%	TRANSPARENT CLEAR	1-2306130-1
26%	TRANSLUCENT GRAY	2306130-2
24%	TRANSPARENT SMOKE GRAY	2306130-1

THIS DRAWING IS A CONTROLLED DOCUMENT.

DWN: J. SHAFFER 07JUL2016	TE Connectivity
CHK: E. HOWARD 07JUL2016	
APVD: -	NAME: COVER, LIGHT CONTROLLER, 81mm DIA, MEDIUM
PRODUCT SPEC: 108-32125	SIZE: A2
APPLICATION SPEC: 11432159	CAGE CODE: -
MATERIAL: -	DRAWING NO: C-2306130
TOLERANCES UNLESS OTHERWISE SPECIFIED:	RESTRICTED TO: -
0 PLC ±	SCALE: 1:1
1 PLC ±0.2	SHEET: 1 OF 1
2 PLC ±0.13	REV: A1
3 PLC ±	
4 PLC ±	
ANGLES ±3°	
FINISH: -	

CUSTOMER DRAWING