



Chipsmall Limited consists of a professional team with an average of over 10 year of expertise in the distribution of electronic components. Based in Hongkong, we have already established firm and mutual-benefit business relationships with customers from,Europe,America and south Asia,supplying obsolete and hard-to-find components to meet their specific needs.

With the principle of “Quality Parts,Customers Priority,Honest Operation,and Considerate Service”,our business mainly focus on the distribution of electronic components. Line cards we deal with include Microchip,ALPS,ROHM,Xilinx,Pulse,ON,Everlight and Freescale. Main products comprise IC,Modules,Potentiometer,IC Socket,Relay,Connector.Our parts cover such applications as commercial,industrial, and automotives areas.

We are looking forward to setting up business relationship with you and hope to provide you with the best service and solution. Let us make a better world for our industry!



Contact us

Tel: +86-755-8981 8866 Fax: +86-755-8427 6832

Email & Skype: info@chipsmall.com Web: www.chipsmall.com

Address: A1208, Overseas Decoration Building, #122 Zhenhua RD., Futian, Shenzhen, China



4

3

2

1

THIS DRAWING IS UNPUBLISHED.

RELEASED FOR PUBLICATION

-, -

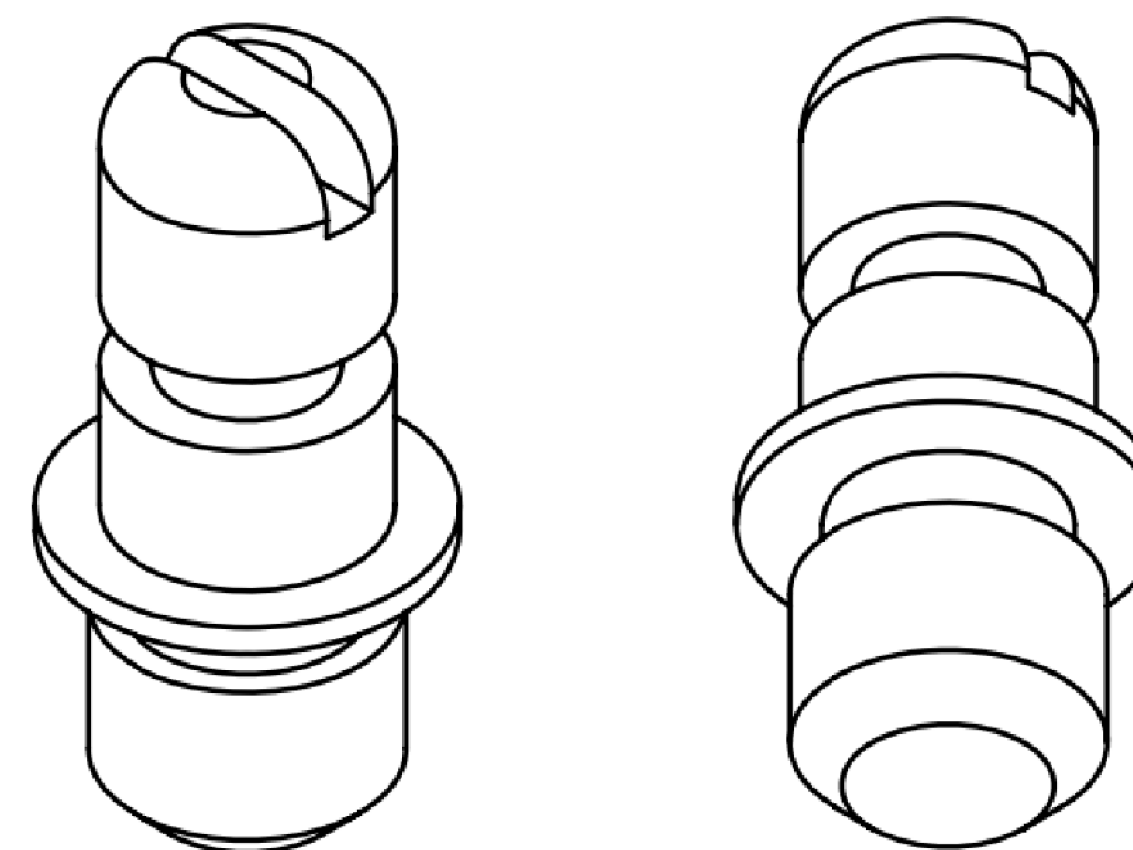
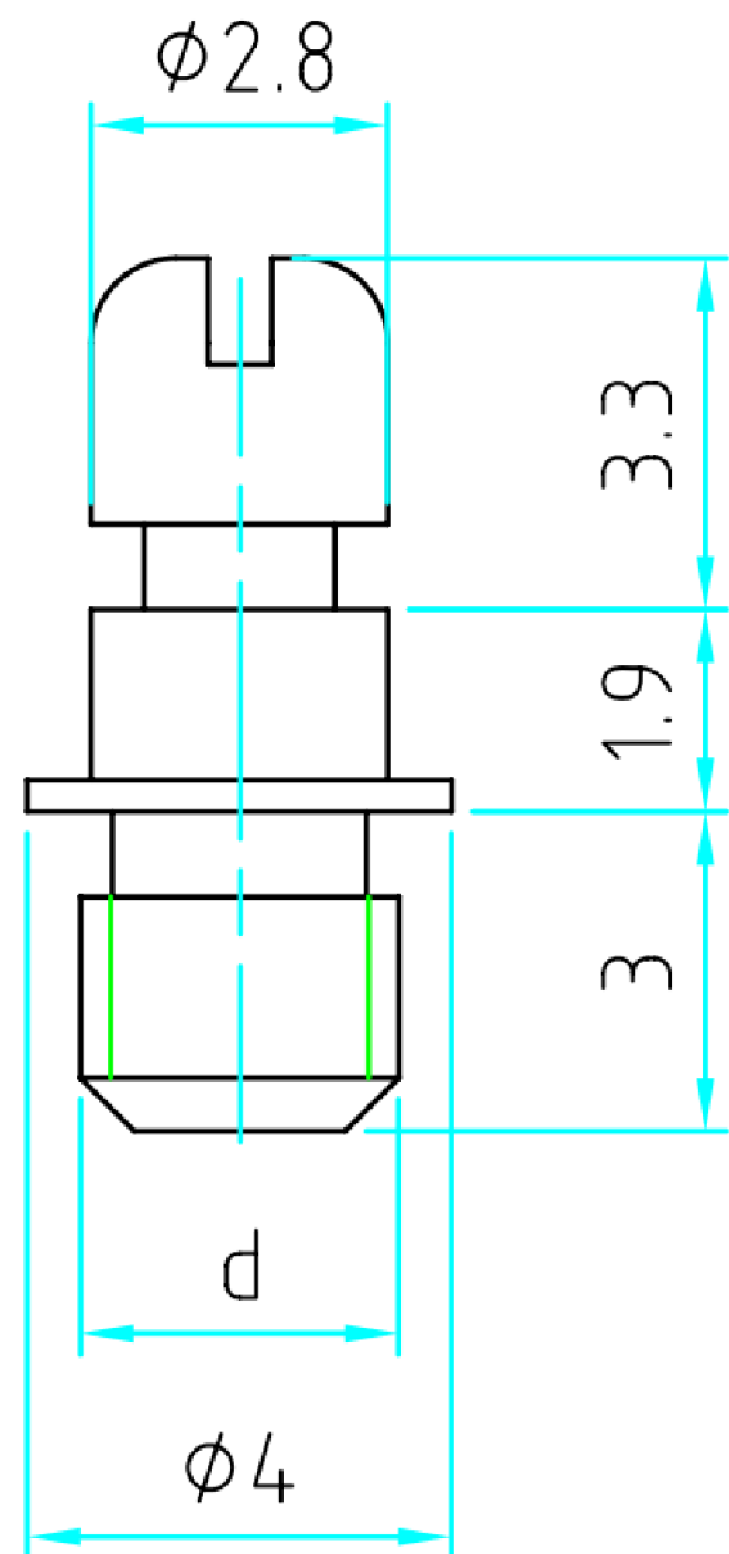
© COPYRIGHT - By -

ALL RIGHTS RESERVED.

REVISIONS

P	LTR	DESCRIPTION	DATE	DWN	APVD
	A2	REVISED PER ECR-17-006621	09MAY2017	KK	SE

PROJECT	PRJ-16-000909157
PART NO.	X-2308273-X
DESCRIPTION	QL-SET FOR VAR. A WITH STOP MOUNTING KIT FOR COMBI LOCK
CUSTOMER	GENERAL MARKET



M 1:1



1-2308273-2	VARIANT A W/STOP MOUNTING KIT (UNC)	1-2308352-2	LATCH PIN 2 (UNC)	4-40 UNC	2
1-2308273-1	VARIANT A W/STOP MOUNTING KIT (METRIC)	3-2308352-4	LATCH PIN 24 (METRIC)	M3	2
PART-NO.	DESCRIPTION	SUB-PART NO.	DESCRIPTION	THREAD "d"	QTY
		POS.1			

NOTES:

- WEIGHT: 0.4 g.
- FINISHING PROCESS: 4-7 μ Sn OVER 2-3 μ Cu.

THIS DRAWING IS A CONTROLLED DOCUMENT.		DWN KIRAN K 27JUL2016	<p>TE Connectivity</p> <p>QL-SET FOR VAR. A WITH STOP MOUNTING KIT FOR COMBI LOCK</p>											
DIMENSIONS: mm		CHK GUNASEKHAR G 27JUL2016												
TOLERANCES UNLESS OTHERWISE SPECIFIED: DIN ISO 2768 m		APVD GUNASEKHAR G 27JUL2016												
<table border="1"> <tr> <td>0 PLC</td> <td>$\pm -$</td> </tr> <tr> <td>1 PLC</td> <td>$\pm -$</td> </tr> <tr> <td>2 PLC</td> <td>$\pm -$</td> </tr> <tr> <td>3 PLC</td> <td>$\pm -$</td> </tr> <tr> <td>4 PLC</td> <td>$\pm -$</td> </tr> <tr> <td>ANGLES</td> <td>$\pm -$</td> </tr> </table>		0 PLC				$\pm -$	1 PLC	$\pm -$	2 PLC	$\pm -$	3 PLC	$\pm -$	4 PLC	$\pm -$
0 PLC	$\pm -$													
1 PLC	$\pm -$													
2 PLC	$\pm -$													
3 PLC	$\pm -$													
4 PLC	$\pm -$													
ANGLES	$\pm -$													
MATERIAL		FINISH	APPLICATION SPEC	NAME	RESTRICTED TO									
-		-	WEIGHT	SIZE	CAGE CODE									
				A3	00779									
				DRAWING NO										
				C=2308273										
				CUSTOMER DRAWING										
				SCALE	SHEET									
				NTS	1 OF 1									
				REV	A2									