



Chipsmall Limited consists of a professional team with an average of over 10 year of expertise in the distribution of electronic components. Based in Hongkong, we have already established firm and mutual-benefit business relationships with customers from,Europe,America and south Asia,supplying obsolete and hard-to-find components to meet their specific needs.

With the principle of "Quality Parts,Customers Priority,Honest Operation,and Considerate Service",our business mainly focus on the distribution of electronic components. Line cards we deal with include Microchip,ALPS,ROHM,Xilinx,Pulse,ON,Everlight and Freescale. Main products comprise IC,Modules,Potentiometer,IC Socket,Relay,Connector.Our parts cover such applications as commercial,industrial, and automotives areas.

We are looking forward to setting up business relationship with you and hope to provide you with the best service and solution. Let us make a better world for our industry!



## Contact us

Tel: +86-755-8981 8866 Fax: +86-755-8427 6832

Email & Skype: info@chipsmall.com Web: www.chipsmall.com

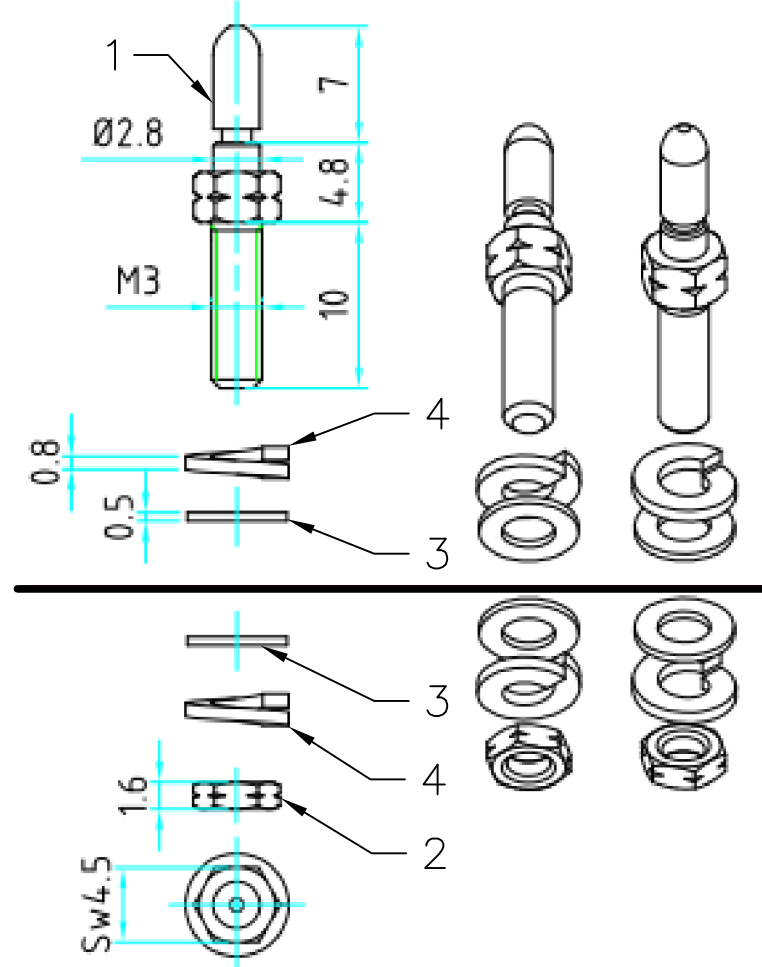
Address: A1208, Overseas Decoration Building, #122 Zhenhua RD., Futian, Shenzhen, China



THIS DRAWING IS UNPUBLISHED. RELEASED FOR PUBLICATION  
 © COPYRIGHT - By - ALL RIGHTS RESERVED.

PROJECT	PRJ-16-000909157
PART NO.	1-2308290-1
DESCRIPTION	QL-SET FOR MODEL C VW REAR WALL MOUNTING
CUSTOMER	GENERAL MARKET

REVISIONS				
P	LTR	DESCRIPTION	DATE	APVD
	A1	REVISED PER ECR-16-013123	19SEP2016	KK GG



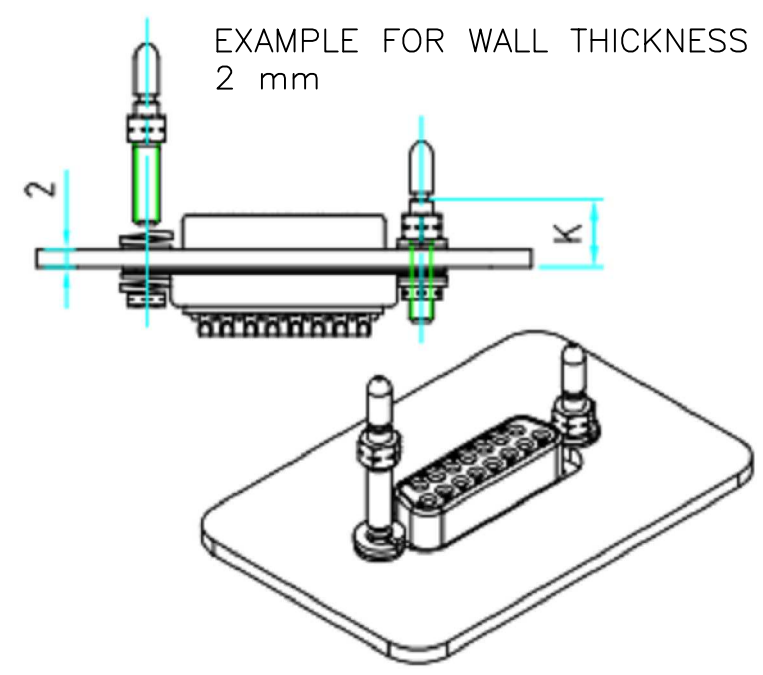
FRONT SIDE (SEE TAB)  
 REAR SIDE

ACCESSORIES FROM THE FRONT SIDE

WALL THICKNESS, mm	PART TO BE USED
1.7-2.0	
2.2-2.5	
2.5-2.8	
3.0-3.3	-

NOTES:

- DIMENSION SHALL REMAIN IN THE RANGE OF 7.8-8.1 MM.
- WEIGHT: 4 g
- FINISHING PROCESS: LATCH PIN Cu2/Sn4.



4	4		SPRING WASHER B3 DIN 127 STAINLESS STEEL
3	4		DISC WASHER A3 DIN 433 STAINLESS STEEL
2	2	1-2308290-1	NUT
1	2		LATCH PIN 36 (METRIC) (P/N 4-2308352-6)
SL NO.	QTY	ASSY. PART NO.	DESCRIPTION

THIS DRAWING IS A CONTROLLED DOCUMENT.		DWN KIRAN K 28JUL2016	TE Connectivity	
		CHK GUNASEKHAR G 28JUL2016		
DIMENSIONS: mm		APVD GUNASEKHAR G 28JUL2016	NAME QL-SET FOR VARIANT C VW REAR WALL MOUNTING	
TOLERANCES UNLESS OTHERWISE SPECIFIED: DIN ISO 2768 m		PRODUCT SPEC	SIZE A3	
0 PLC ± - 1 PLC ± - 2 PLC ± - 3 PLC ± - 4 PLC ± - ANGLES ± -		APPLICATION SPEC	CAGE CODE 00779	DRAWING NO C-2308290
MATERIAL -		FINISH -	RESTRICTED TO -	
		WEIGHT	SCALE NTS	
		CUSTOMER DRAWING	SHEET 1 of 1	
			REV A1	