



Chipsmall Limited consists of a professional team with an average of over 10 year of expertise in the distribution of electronic components. Based in Hongkong, we have already established firm and mutual-benefit business relationships with customers from,Europe,America and south Asia,supplying obsolete and hard-to-find components to meet their specific needs.

With the principle of “Quality Parts,Customers Priority,Honest Operation,and Considerate Service”,our business mainly focus on the distribution of electronic components. Line cards we deal with include Microchip,ALPS,ROHM,Xilinx,Pulse,ON,Everlight and Freescale. Main products comprise IC,Modules,Potentiometer,IC Socket,Relay,Connector.Our parts cover such applications as commercial,industrial, and automotives areas.

We are looking forward to setting up business relationship with you and hope to provide you with the best service and solution. Let us make a better world for our industry!



Contact us

Tel: +86-755-8981 8866 Fax: +86-755-8427 6832

Email & Skype: info@chipsmall.com Web: www.chipsmall.com

Address: A1208, Overseas Decoration Building, #122 Zhenhua RD., Futian, Shenzhen, China



THIS DRAWING IS UNPUBLISHED. RELEASED FOR PUBLICATION. ALL RIGHTS RESERVED.

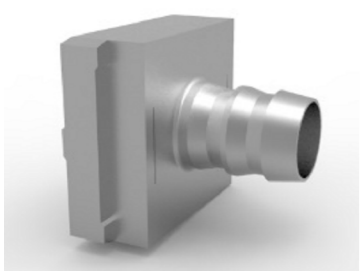
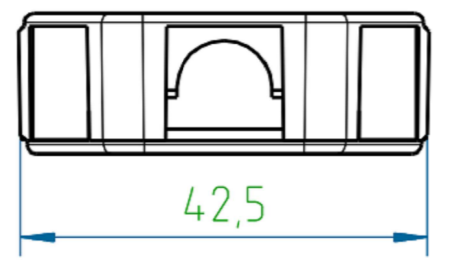
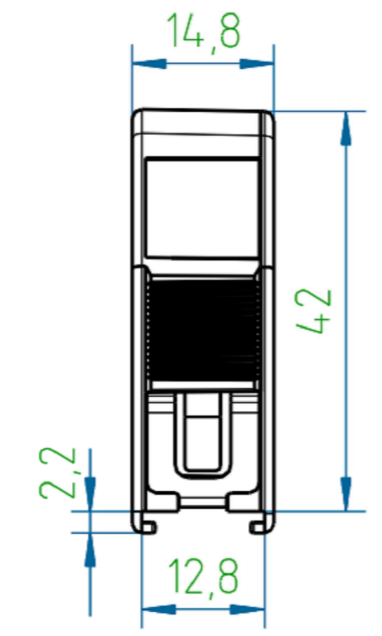
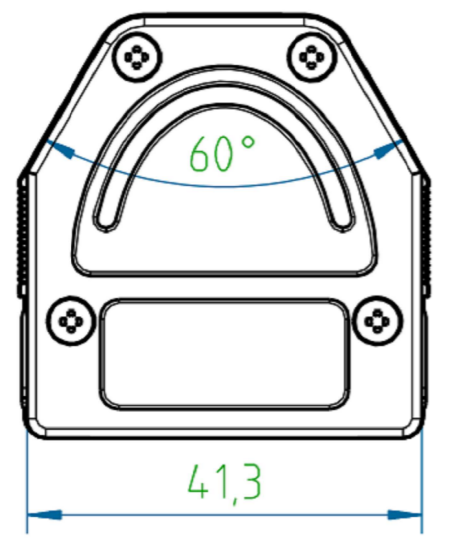
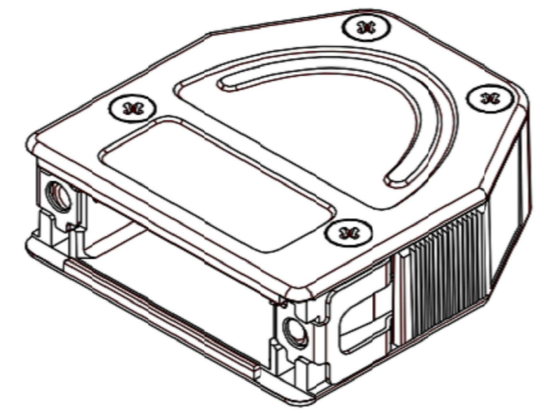
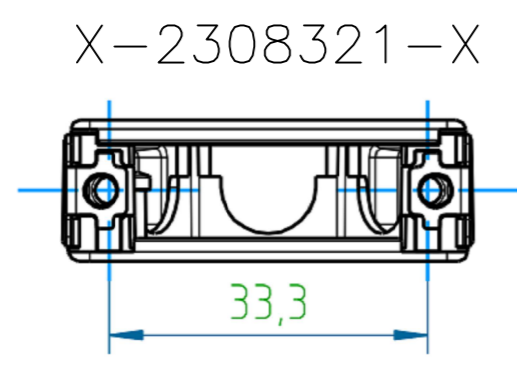
PROJECT	PRJ-16-000909157
PART NO.	X-2308321-X
DESCRIPTION	FULL METAL HOODS SIZE 2
CUSTOMER	GENERAL MARKET

REVISIONS					
P	LTR	DESCRIPTION	DATE	DWN	APVD
	A2	REVISED PER ECR-16-014891	20OCT2016	KK	GG

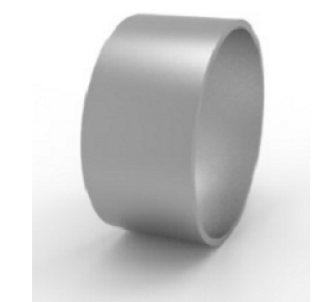
- NOTES:
1. TEMPERATURE: -40°C TO +90°C.
 2. STRAND DIAMETER OF CRIMP FLANGE: 2.7-8.7 mm.
 3. CABLE DIAMETER WITH EXTERNAL CABLE CLAMP: 4-14 mm.
 4. CABLE DIAMETER WITH INTERNAL CABLE CLAMP: d=4-10 mm (FOR d=4-7 mm TURN CABLE CLAMP).
 5. CABLE BUSHING FOR CABLE DIAMETER 4-9 mm.

- * CRIMP FLANGE PN *-2308349-* TO BE ORDERED SEPARATELY.
- * CRIMP BARREL TO BE USED IN COMBINATION WITH THE FLANGE PN *-2308350-* TO BE ORDERED SEPARATELY.
- * CABLE CLAMP SCREW VERSION PN *-2308272-* TO BE ORDERED SEPARATELY.

ASSY. PART NO.	DESCRIPTION	SUB-PART DESCRIPTION POS.1	POS. 3	POS. 5	POS. 6	POS. 7	WEIGHT, g
1-2308321-5	FULL METAL HOOD2 5	HOUSING 2	1	2	2	3	92
1-2308321-4	FULL METAL HOOD2 4	HOUSING 2	2	1	1	2	94
1-2308321-3	FULL METAL HOOD2 3	HOUSING 2	1	2	-	3	90
1-2308321-2	FULL METAL HOOD2 2	HOUSING 2	2	1	-	2	92
1-2308321-1	FULL METAL HOOD2 1	HOUSING 1	2	-	-	-	87



CRIMP FLANGE

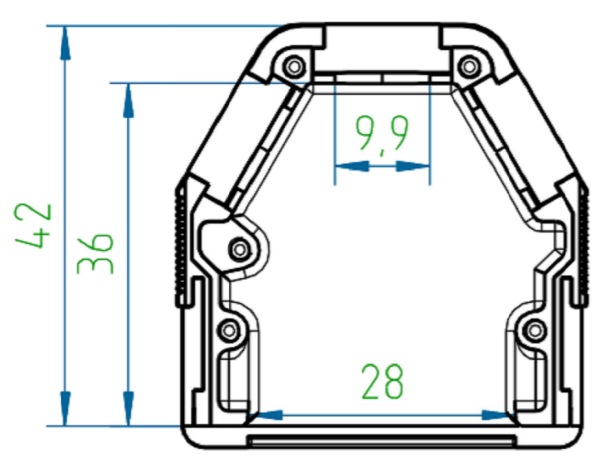


CRIMP BARREL

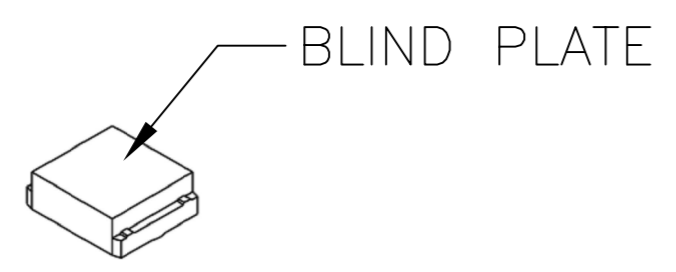
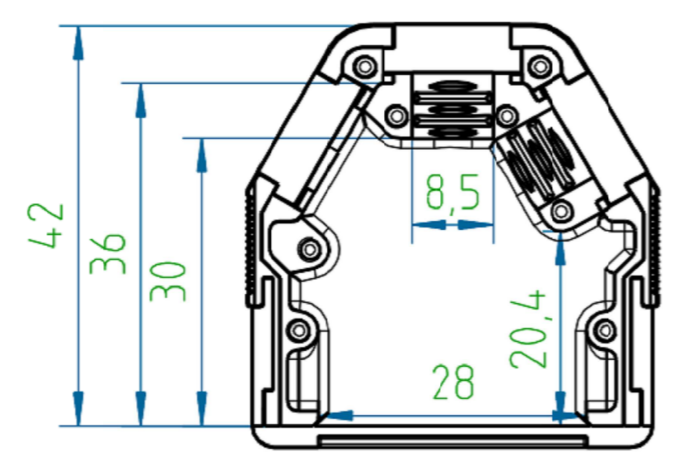


CABLE CLAMP

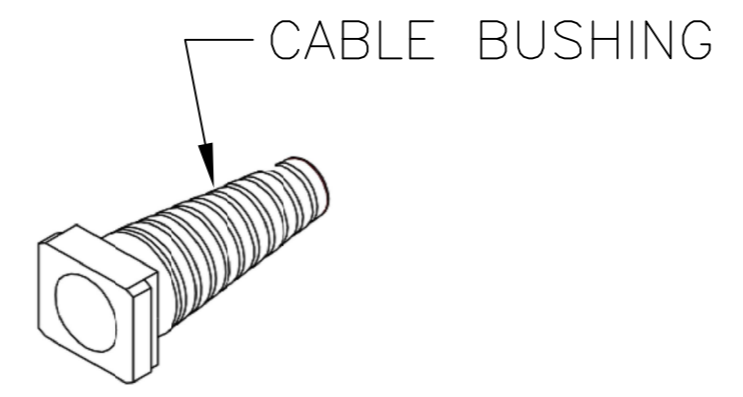
HOUSING 1



HOUSING 2



BLIND PLATE



CABLE BUSHING

	9	1	-	SCREW M2.5x5 (CASE HARDENING STEEL, ZINC-PLATED)	
	8	4	-	SCREW M2.5x6.5 (CASE HARDENING STEEL, ZINC-PLATED)	
	7	SEE TAB. POS.7	-	SCREW M2.5x6 (CASE HARDENING STEEL, ZINC-PLATED)	
	6	SEE TAB. POS.6	-	CABLE BUSHING (EPTR SANTOPRENE)	
	5	SEE TAB. POS.5	-	CABLE CLAMP (BAND STEEL, ZINC-PLATED)	
	4	2	-	CATCH SPRING (STAINLESS STEEL, RAW)	
	3	SEE TAB. POS.3	-	BLIND PLATE (ZINC ALLOY, RAW)	
	2	1	-	COVER (ZINC ALLOY, RAW)	
	1	1	SEE TAB. POS.1	HOUSING (ZINC ALLOY, RAW)	
SL NO.	QTY	ASSY. PART NO.	DESCRIPTION (MATERIAL, FINISH)		

THIS DRAWING IS A CONTROLLED DOCUMENT.

DIMENSIONS: mm

TOLERANCES UNLESS OTHERWISE SPECIFIED: DIN ISO 2768 m

0 PLC ± -
1 PLC ± -
2 PLC ± -
3 PLC ± -
4 PLC ± -
ANGLES ± -

MATERIAL: - FINISH: -

DWN: KIRAN K 03AUG2016
CHK: GUNASEKHAR G 03AUG2016
APVD: GUNASEKHAR G 03AUG2016

TE Connectivity
FULL METAL HOODS SIZE 2

SIZE: A2 CAGE CODE: 00779 DRAWING NO: 2308321 RESTRICTED TO: -

CUSTOMER DRAWING SCALE: NTS SHEET: 1 of 1 REV: A2