



Chipsmall Limited consists of a professional team with an average of over 10 year of expertise in the distribution of electronic components. Based in Hongkong, we have already established firm and mutual-benefit business relationships with customers from,Europe,America and south Asia,supplying obsolete and hard-to-find components to meet their specific needs.

With the principle of “Quality Parts,Customers Priority,Honest Operation,and Considerate Service”,our business mainly focus on the distribution of electronic components. Line cards we deal with include Microchip,ALPS,ROHM,Xilinx,Pulse,ON,Everlight and Freescale. Main products comprise IC,Modules,Potentiometer,IC Socket,Relay,Connector.Our parts cover such applications as commercial,industrial, and automotives areas.

We are looking forward to setting up business relationship with you and hope to provide you with the best service and solution. Let us make a better world for our industry!



## Contact us

Tel: +86-755-8981 8866 Fax: +86-755-8427 6832

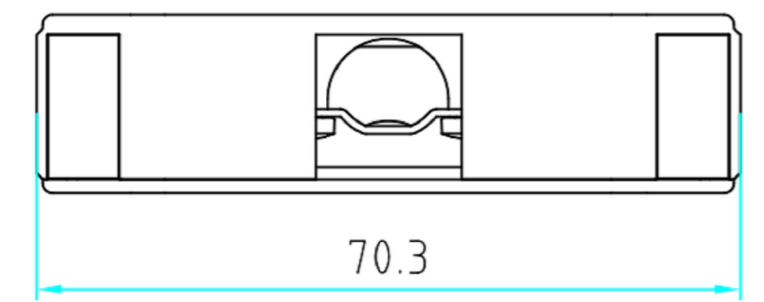
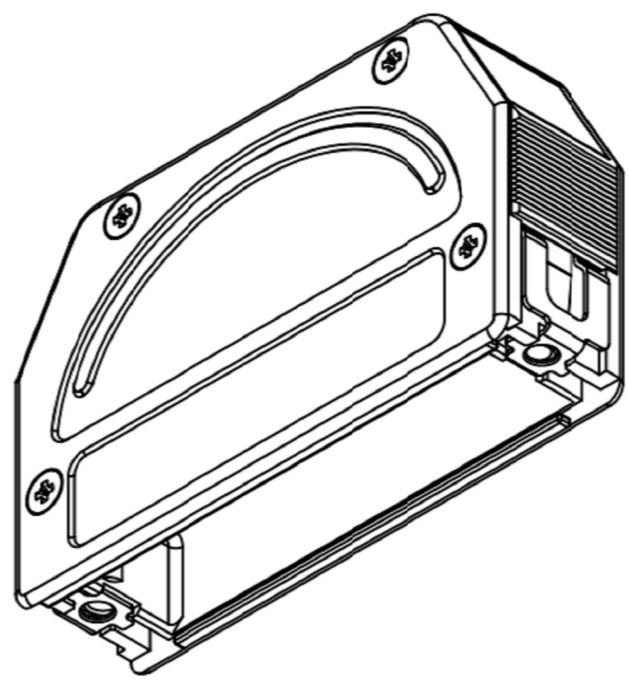
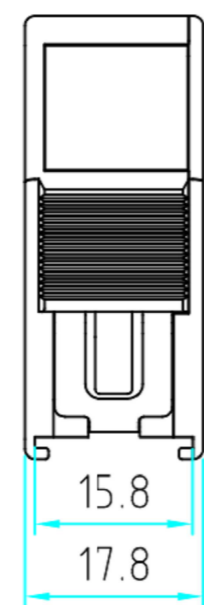
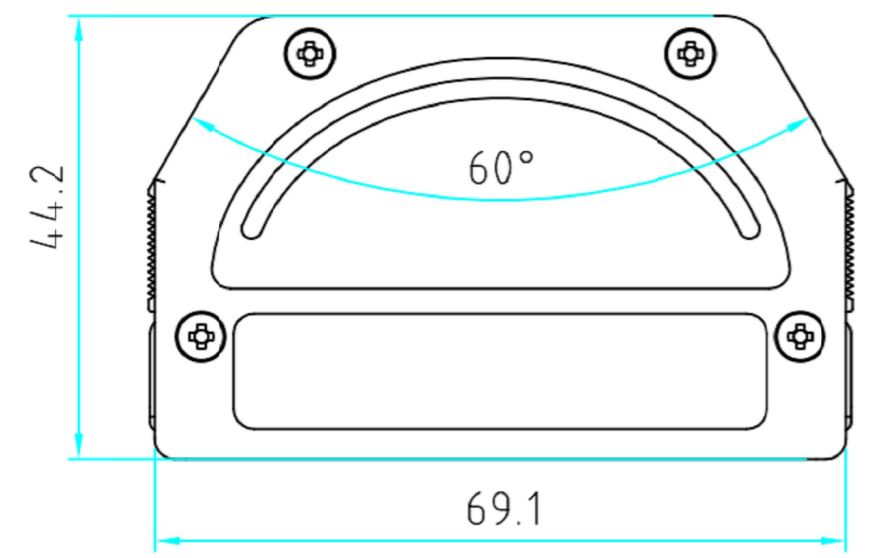
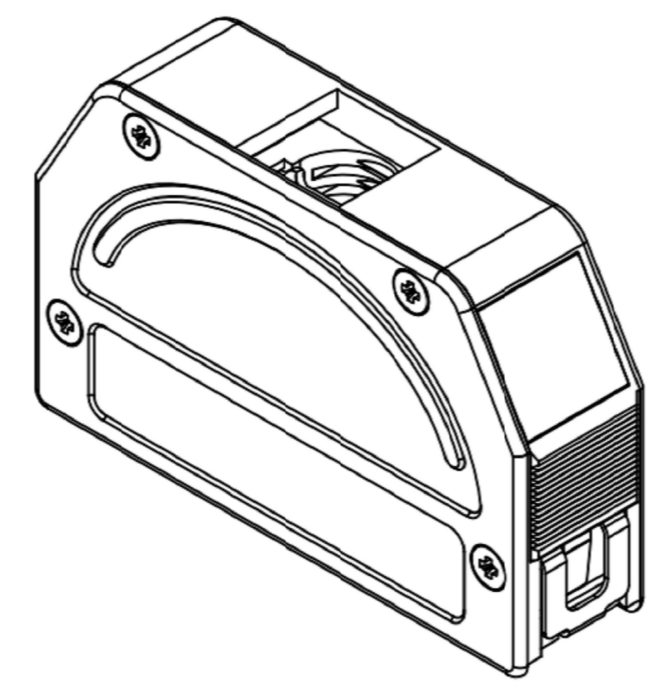
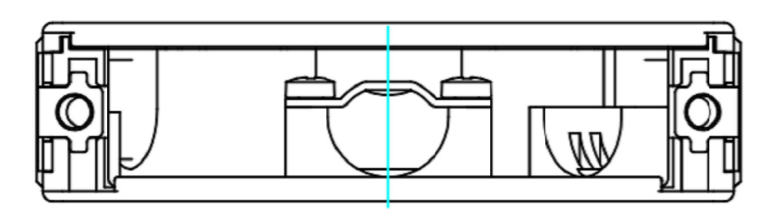
Email & Skype: info@chipsmall.com Web: www.chipsmall.com

Address: A1208, Overseas Decoration Building, #122 Zhenhua RD., Futian, Shenzhen, China

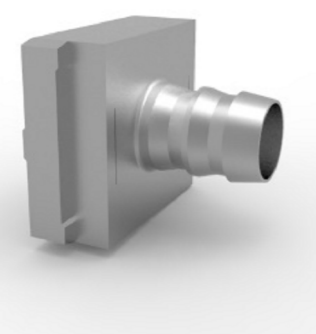


THIS DRAWING IS UNPUBLISHED.		RELEASED FOR PUBLICATION	
© COPYRIGHT - By -		ALL RIGHTS RESERVED.	
PROJECT	PRJ-16-000909157		
PART NO.	X-2308338-X		
DESCRIPTION	QL-FULL METAL HOODS SIZE 5		
CUSTOMER	GENERAL MARKET		

REVISIONS					
P	LTR	DESCRIPTION	DATE	DWN	APVD
	A2	REVISED PER ECR-16-014891	20OCT2016	KK	GG



CABLE CLAMP



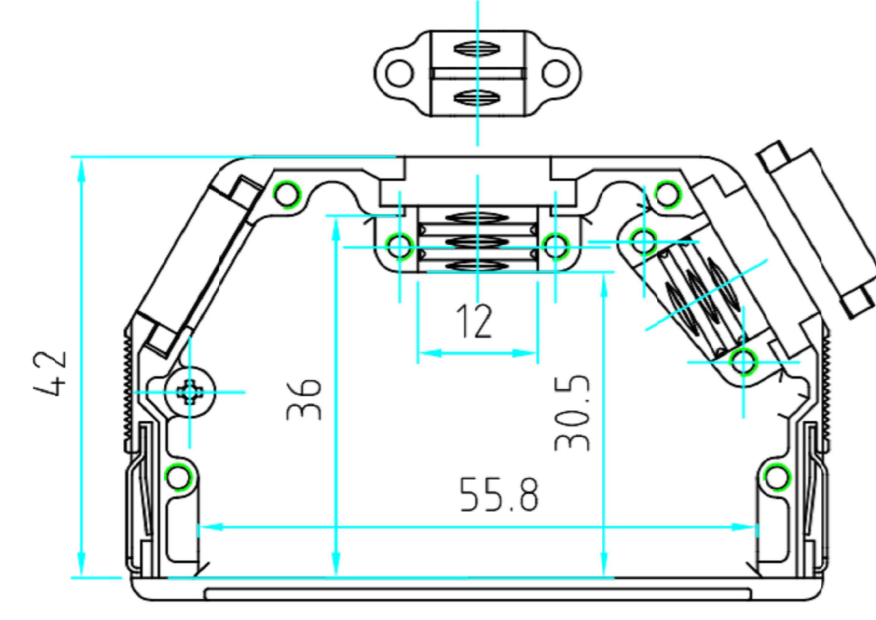
CRIMP FLANGE



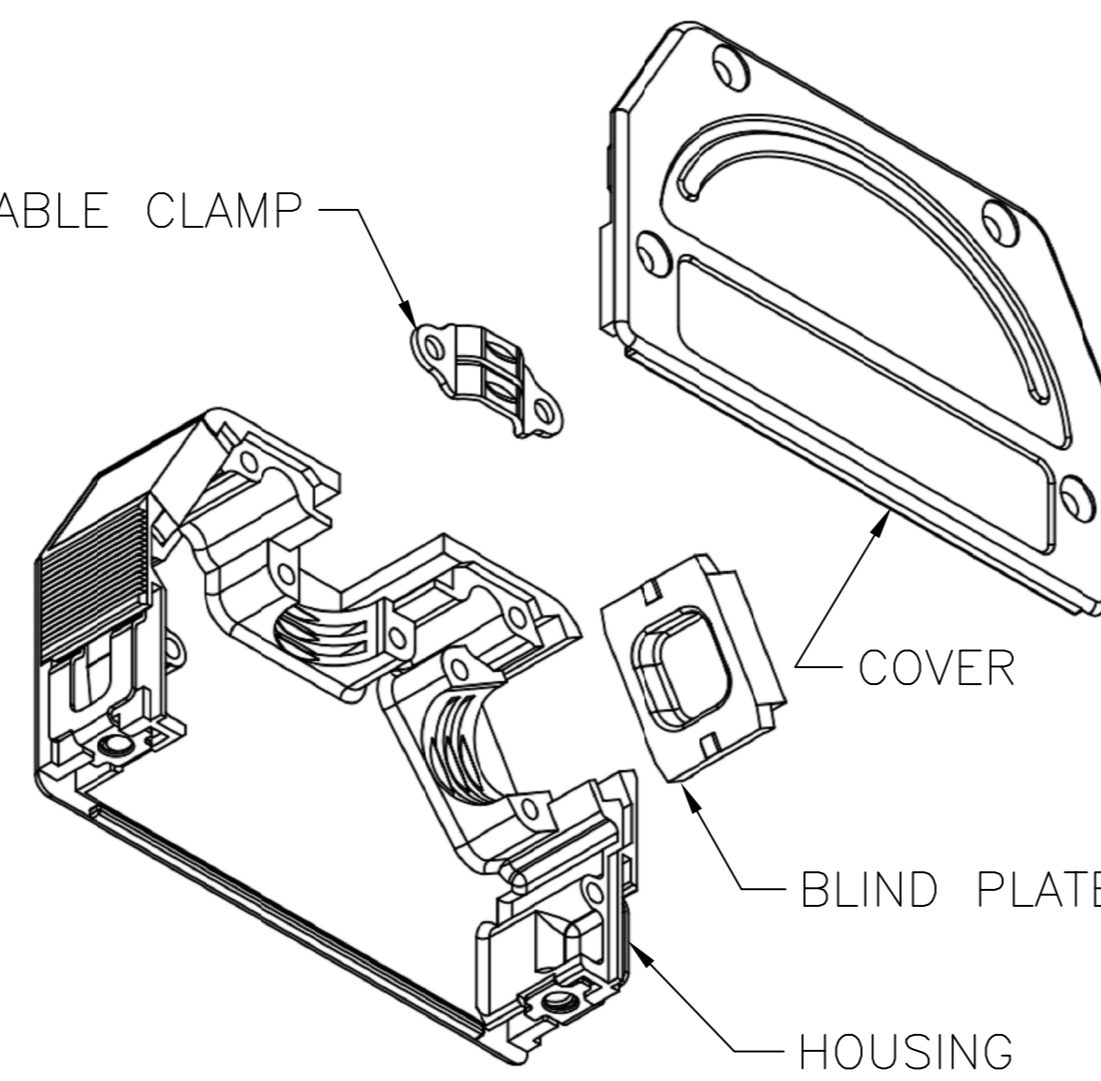
CRIMP BARREL



CABLE CLAMP



HOUSING OPEN



COVER

BLIND PLATE

HOUSING

NOTES:

- 1-2308338-1 = WITH 1 CABLE CLAMP.  
1-2308338-2 = WITH 2 CABLE CLAMP.
- TEMPERATURE: -40°C TO 90°C.
- CABLE DIAMETER: Dk=6-13 mm (FOR Dk=6-9 mm TURN CABLE CLAMP).
- WEIGHT: 105 g.

- \* CRIMP FLANGE PN \*-2308348-\* TO BE ORDERED SEPARATELY.
- \* CRIMP BARREL TO BE USED IN COMBINATION WITH THE FLANGE PN \*-2308350-\* TO BE ORDERED SEPARATELY.
- \* CABLE CLAMP SCREW VERSION PN \*-2308272-\* TO BE ORDERED SEPARATELY.

QTY	QTY	DESCRIPTION (MATERIAL, FINISH)	
1	1	SCREW M2.5x5 (CASE HARDENING STEEL, ZINC-PLATED)	
4	4	SCREW M2.5x6.5 (CASE HARDENING STEEL, ZINC-PLATED)	
2	4	SCREW M2.5x6 (CASE HARDENING STEEL, ZINC-PLATED)	
1	2	CABLE CLAMP (BAND STEEL, ZINC-PLATED)	
2	2	CATCH SPRING (STAINLESS STEEL, RAW)	
2	1	BLIND PLATE (ZINC ALLOY, RAW)	
1	1	COVER (ZINC ALLOY, RAW)	
1	1	HOUSING (ZINC ALLOY, RAW)	
X=1 (1-2308338-1)	X=2 (1-2308338-2)		

THIS DRAWING IS A CONTROLLED DOCUMENT.		DWN	KIRAN K	02AUG2016
DIMENSIONS:		CHK	GUNASEKHAR G	02AUG2016
mm		APVD	GUNASEKHAR G	02AUG2016
TOLERANCES UNLESS OTHERWISE SPECIFIED:		NAME		
DIN ISO 2768 m		GUNASEKHAR G		
0 PLC	± -	PRODUCT SPEC		
1 PLC	± -	APPLICATION SPEC		
2 PLC	± -	MATERIAL		
3 PLC	± -	FINISH		
4 PLC	± -	WEIGHT		
ANGLES	± -	CUSTOMER DRAWING		

		TE Connectivity	
NAME		QL-FULL METAL HOODS SIZE 5	
SIZE	CAGE CODE	DRAWING NO	RESTRICTED TO
A2	00779	C-2308338	-
SCALE		SHEET	REV
NTS		1 of 1	A2