



Chipsmall Limited consists of a professional team with an average of over 10 year of expertise in the distribution of electronic components. Based in Hongkong, we have already established firm and mutual-benefit business relationships with customers from,Europe,America and south Asia,supplying obsolete and hard-to-find components to meet their specific needs.

With the principle of “Quality Parts,Customers Priority,Honest Operation,and Considerate Service”,our business mainly focus on the distribution of electronic components. Line cards we deal with include Microchip,ALPS,ROHM,Xilinx,Pulse,ON,Everlight and Freescale. Main products comprise IC,Modules,Potentiometer,IC Socket,Relay,Connector.Our parts cover such applications as commercial,industrial, and automotives areas.

We are looking forward to setting up business relationship with you and hope to provide you with the best service and solution. Let us make a better world for our industry!



Contact us

Tel: +86-755-8981 8866 Fax: +86-755-8427 6832

Email & Skype: info@chipsmall.com Web: www.chipsmall.com

Address: A1208, Overseas Decoration Building, #122 Zhenhua RD., Futian, Shenzhen, China



4

3

2

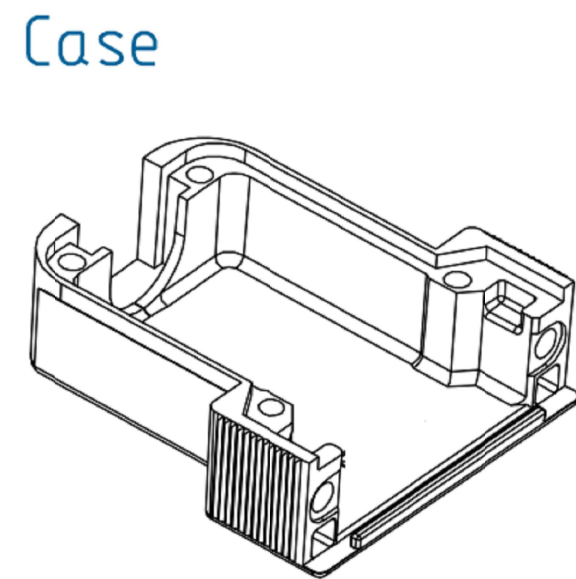
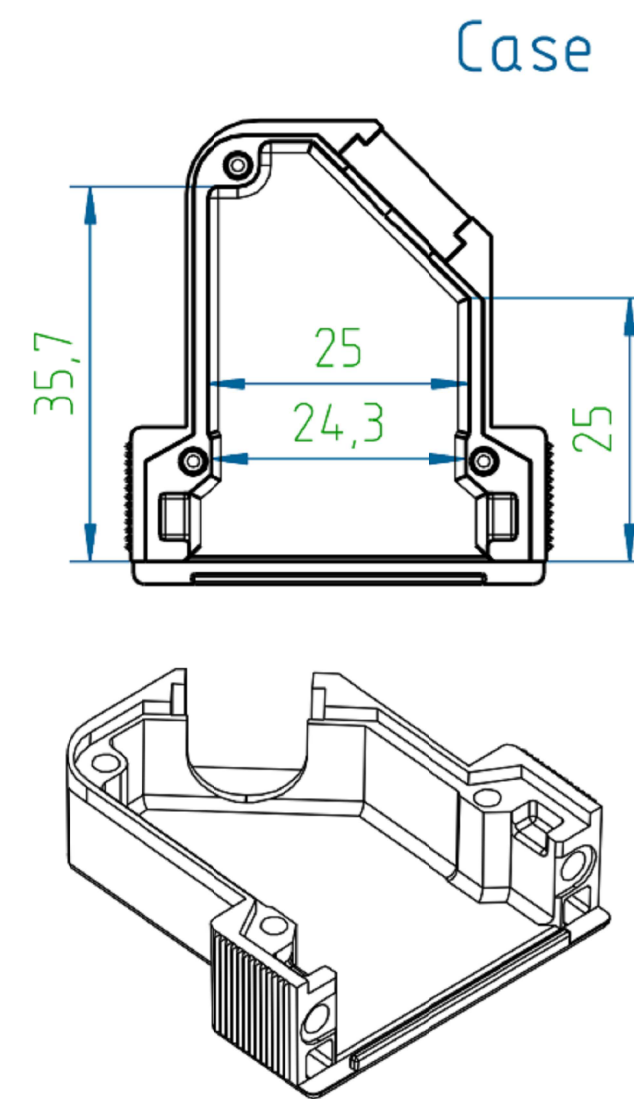
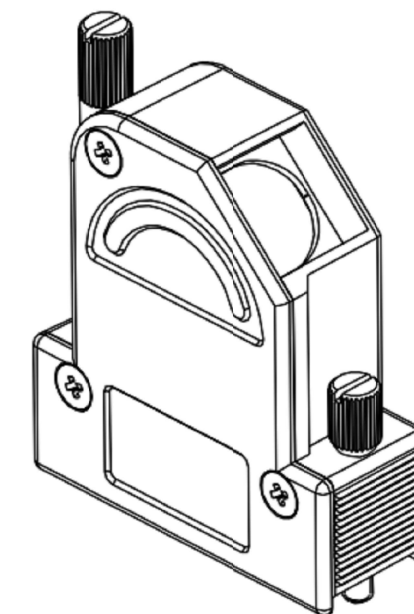
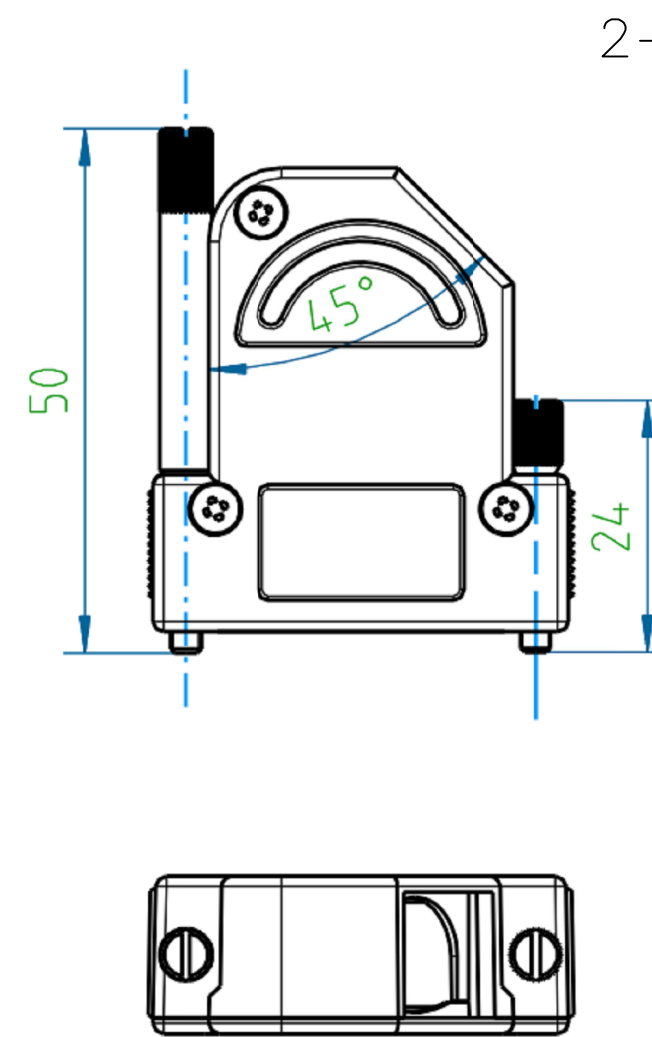
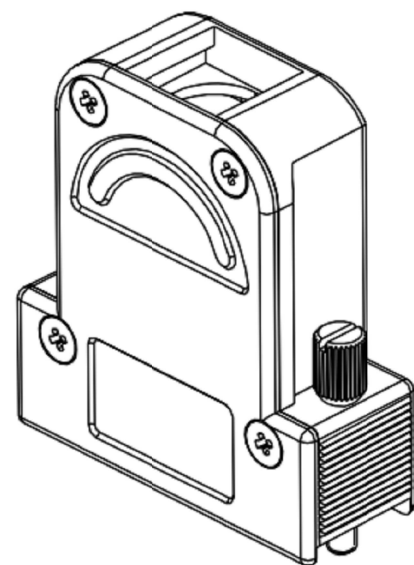
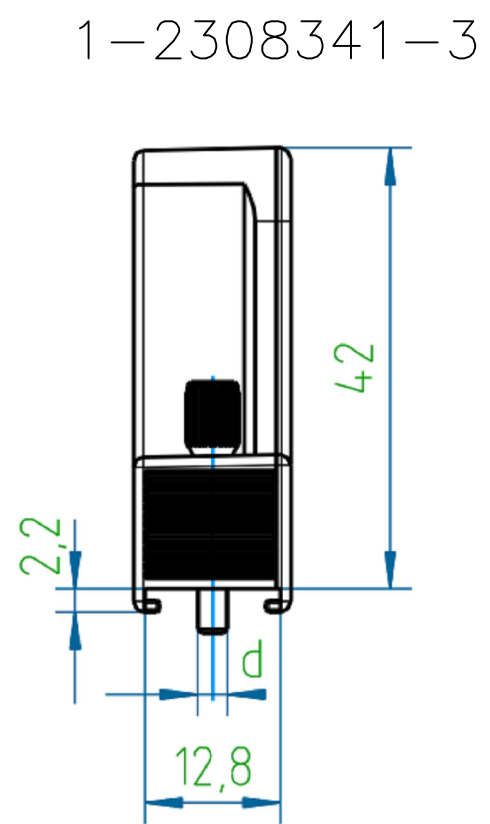
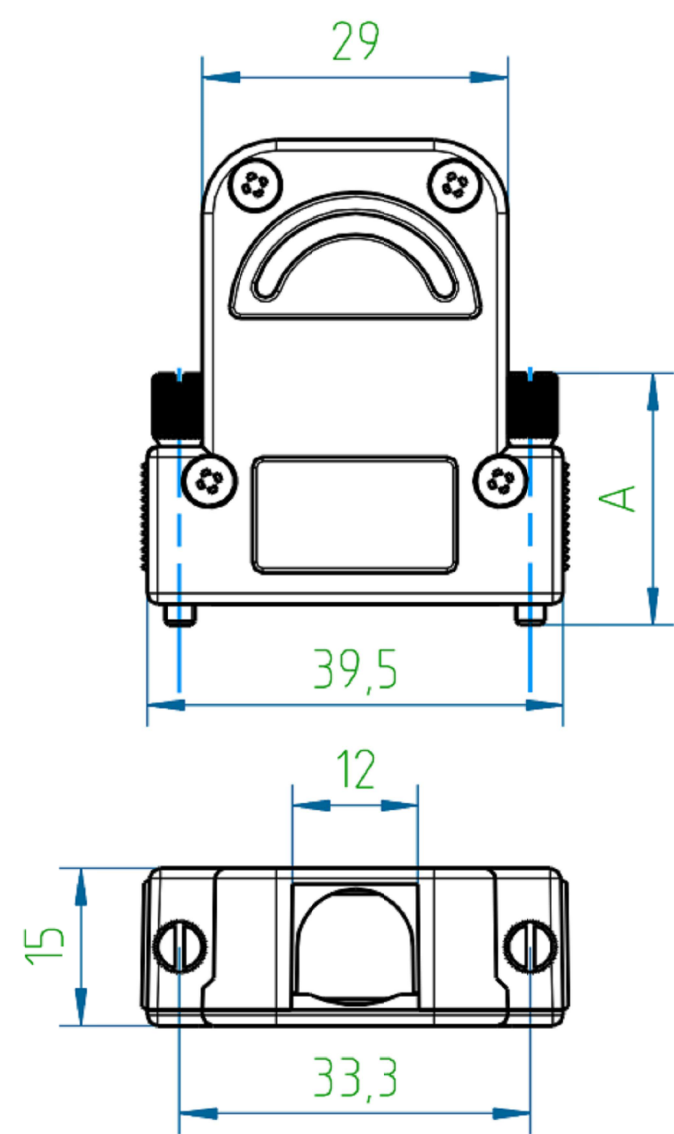
1

THIS DRAWING IS UNPUBLISHED. RELEASED FOR PUBLICATION

© COPYRIGHT - By - ALL RIGHTS RESERVED.

PROJECT	PRJ-16-000909157
PART NO.	X-2308341-X
DESCRIPTION	FULL METAL HOODS SIZE 2
CUSTOMER	GENERAL MARKET

REVISIONS					
P	LTR	DESCRIPTION	DATE	DWN	APVD
	A1	REVISED PER ECR-16-013123	19SEP2016	KK	GG



NOTES:

- FINISH:
1-2308341-1 TO 2-2308341-2- CASE RAW
2-2308341-3 TO 3-2308341-4 - CASE NICKEL-PLATED
- LOCKING SCREWS: NICKEL-PLATED
OTHER SCREWS: ZINC-PLATED
- TEMPERATURE RANGE: -40°C TO +90°C
- CABLE DIAMETER WITH EXTERNAL DIAMETER CABLE CLAMP: 4-14 mm.
- STRAND DIAMETER OF CRIMP FLANGE: 2.7-8.7 mm.

THIS DRAWING IS A CONTROLLED DOCUMENT.		DWN KIRAN K 02AUG2016	TE Connectivity	
DIMENSIONS: mm		CHK GUNASEKHAR G 02AUG2016		
TOLERANCES UNLESS OTHERWISE SPECIFIED: DIN ISO 2768-m DIN 16901 130B		APVD GUNASEKHAR G 02AUG2016	PRODUCT SPEC	
MATERIAL		APPLICATION SPEC	RESTRICTED TO	
FINISH		WEIGHT	SCALE NTS SHEET 1 of 2 REV A1	
CUSTOMER DRAWING		SIZE A2 CAGE CODE 00779 DRAWING NO G=2308341		

THIS DRAWING IS UNPUBLISHED. RELEASED FOR PUBLICATION
 © COPYRIGHT - By - ALL RIGHTS RESERVED.

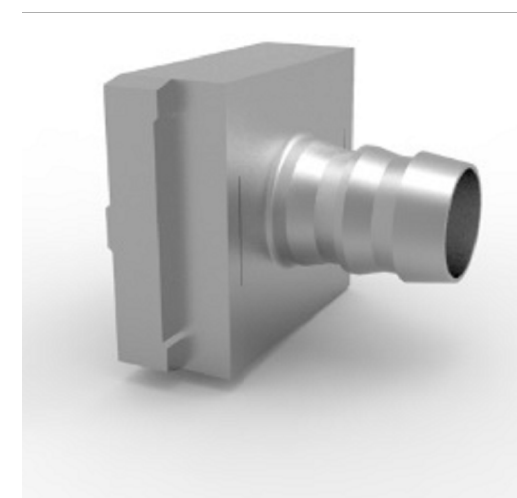
REVISIONS					
P	LTR	DESCRIPTION	DATE	DWN	APVD
-	-	SEE SHEET 1	-	-	-

PART NO.	DESCRIPTION	PART NO.	DESCRIPTION	SUB-PART NO.	DESCRIPTION					
-	-	2-2308341-2	FULL METAL HOODS SIZE2-12	1-2308334-6	1-2308334-4	LOCKING SCREW (M3 LONG KNURLED)	LOCKING SCREW (M3 SHORT KNURLED)	S OVER	M3	51
-	-	2-2308341-1	FULL METAL HOODS SIZE2-11	1-2308334-5	1-2308334-3	LOCKING SCREW (4-40 UNC LONG KNURLED)	LOCKING SCREW (4-40 UNC SHORT KNURLED)		4-40 UNC	51
1-2308341-6	FULL METAL HOODS SIZE2-6	-	-	1-2308334-6		LOCKING SCREW (M3 LONG KNURLED)		50.0	M3	55
1-2308341-5	FULL METAL HOODS SIZE2-5	-	-	1-2308334-5		LOCKING SCREW (4-40 UNC LONG KNURLED)		50.0	4-40 UNC	55
1-2308341-4	FULL METAL HOODS SIZE2-4	2-2308341-0	FULL METAL HOODS SIZE2-10	1-2308334-4		LOCKING SCREW (M3 SHORT KNURLED)		24.0	M3	47
1-2308341-3	FULL METAL HOODS SIZE2-3	1-2308341-9	FULL METAL HOODS SIZE2-9	1-2308334-3		LOCKING SCREW (4-40 UNC SHORT KNURLED)		24.0	4-40 UNC	47
1-2308341-2	FULL METAL HOODS SIZE2-2	1-2308341-8	FULL METAL HOODS SIZE2-8	1-2308334-2		LOCKING SCREW (M3 W/SPRING WASHER)		20.7	M3	46
1-2308341-1	FULL METAL HOODS SIZE2-1	1-2308341-7	FULL METAL HOODS SIZE2-7	1-2308334-1		LOCKING SCREW (4-40 UNC W/SPRING WASHER)		20.7	4-40 UNC	46
VERSION 180*		VERSION 135*				LOCKING SCREWS		A	d	WEIGHT, g
PART NO. (CASE RAW)										

PART NO.	DESCRIPTION	PART NO.	DESCRIPTION	SUB-PART NO.	DESCRIPTION					
-	-	3-2308341-4	FULL METAL HOODS SIZE2-24	1-2308334-6	1-2308334-4	LOCKING SCREW (M3 LONG KNURLED)	LOCKING SCREW (M3 SHORT KNURLED)	S OVER	M3	51
-	-	3-2308341-3	FULL METAL HOODS SIZE2-23	1-2308334-5	1-2308334-3	LOCKING SCREW (4-40 UNC LONG KNURLED)	LOCKING SCREW (4-40 UNC SHORT KNURLED)		4-40 UNC	51
2-2308341-8	FULL METAL HOODS SIZE2-18	-	-	1-2308334-6		LOCKING SCREW (M3 LONG KNURLED)		50.0	M3	55
2-2308341-7	FULL METAL HOODS SIZE2-17	-	-	1-2308334-5		LOCKING SCREW (4-40 UNC LONG KNURLED)		50.0	4-40 UNC	55
2-2308341-6	FULL METAL HOODS SIZE2-16	3-2308341-2	FULL METAL HOODS SIZE2-22	1-2308334-4		LOCKING SCREW (M3 SHORT KNURLED)		24.0	M3	47
2-2308341-5	FULL METAL HOODS SIZE2-15	3-2308341-1	FULL METAL HOODS SIZE2-21	1-2308334-3		LOCKING SCREW (4-40 UNC SHORT KNURLED)		24.0	4-40 UNC	47
2-2308341-4	FULL METAL HOODS SIZE2-14	3-2308341-0	FULL METAL HOODS SIZE2-20	1-2308334-2		LOCKING SCREW (M3 W/SPRING WASHER)		20.7	M3	46
2-2308341-3	FULL METAL HOODS SIZE2-13	2-2308341-9	FULL METAL HOODS SIZE2-19	1-2308334-1		LOCKING SCREW (4-40 UNC W/SPRING WASHER)		20.7	4-40 UNC	46
VERSION 180*		VERSION 135*				LOCKING SCREWS		A	d	WEIGHT, g
PART NO. (CASE Ni-PLATED)										

NOTE:

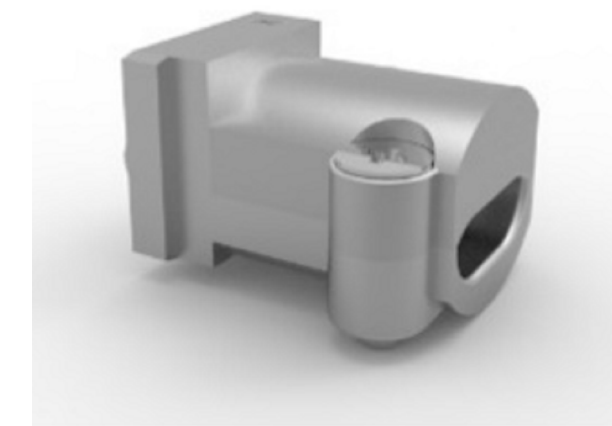
- * CRIMP FLANGE PN *-2308349-* TO BE ORDERED SEPARATELY.
- * CRIMP BARREL TO BE USED IN COMBINATION WITH THE FLANGE PN *-2308350-* TO BE ORDERED SEPARATELY.
- * CABLE CLAMP SCREW VERSION PN *-2308272-* TO BE ORDERED SEPARATELY.



CRIMP FLANGE



CRIMP BARREL



CABLE CLAMP

THIS DRAWING IS A CONTROLLED DOCUMENT.		DWN KIRAN K 02AUG2016		
DIMENSIONS: mm		CHK GUNASEKHAR G 02AUG2016		
TOLERANCES UNLESS OTHERWISE SPECIFIED: DIN ISO 2768-m DIN 16901 130B		APVD GUNASEKHAR G 02AUG2016	NAME FULL METAL HOODS SIZE 2	
		PRODUCT SPEC	SIZE A2	
MATERIAL		APPLICATION SPEC	CAGE CODE 00779	DRAWING NO G=2308341
FINISH		WEIGHT	RESTRICTED TO	
		CUSTOMER DRAWING	SCALE NTS	SHEET 2 of 2
			REV A1	