



Chipsmall Limited consists of a professional team with an average of over 10 year of expertise in the distribution of electronic components. Based in Hongkong, we have already established firm and mutual-benefit business relationships with customers from,Europe,America and south Asia,supplying obsolete and hard-to-find components to meet their specific needs.

With the principle of “Quality Parts,Customers Priority,Honest Operation,and Considerate Service”,our business mainly focus on the distribution of electronic components. Line cards we deal with include Microchip,ALPS,ROHM,Xilinx,Pulse,ON,Everlight and Freescale. Main products comprise IC,Modules,Potentiometer,IC Socket,Relay,Connector.Our parts cover such applications as commercial,industrial, and automotives areas.

We are looking forward to setting up business relationship with you and hope to provide you with the best service and solution. Let us make a better world for our industry!



Contact us

Tel: +86-755-8981 8866 Fax: +86-755-8427 6832

Email & Skype: info@chipsmall.com Web: www.chipsmall.com

Address: A1208, Overseas Decoration Building, #122 Zhenhua RD., Futian, Shenzhen, China



4

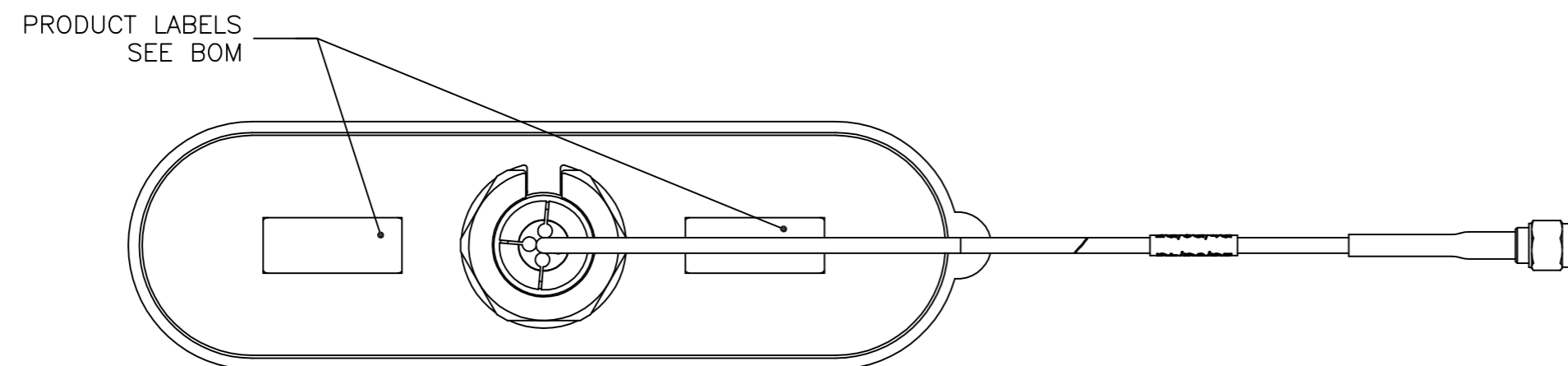
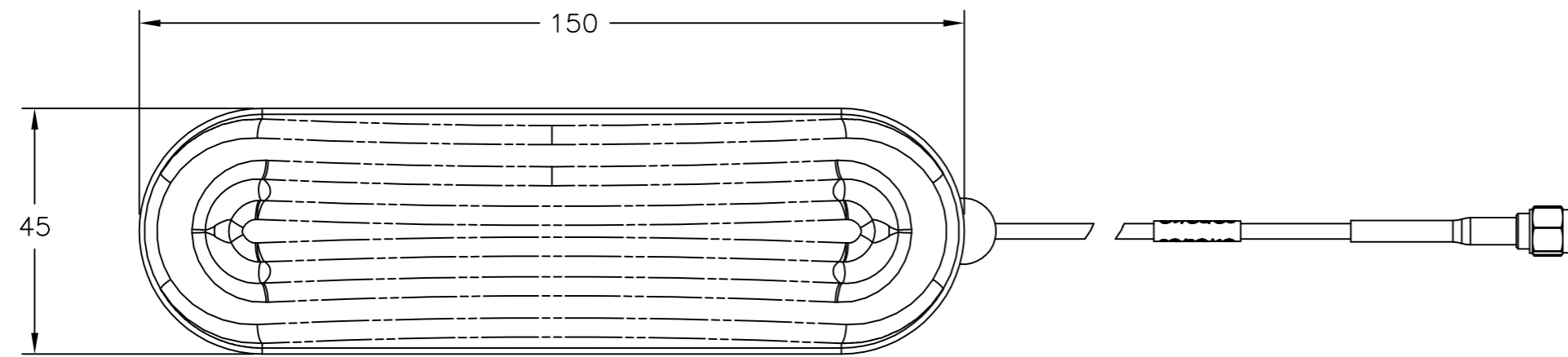
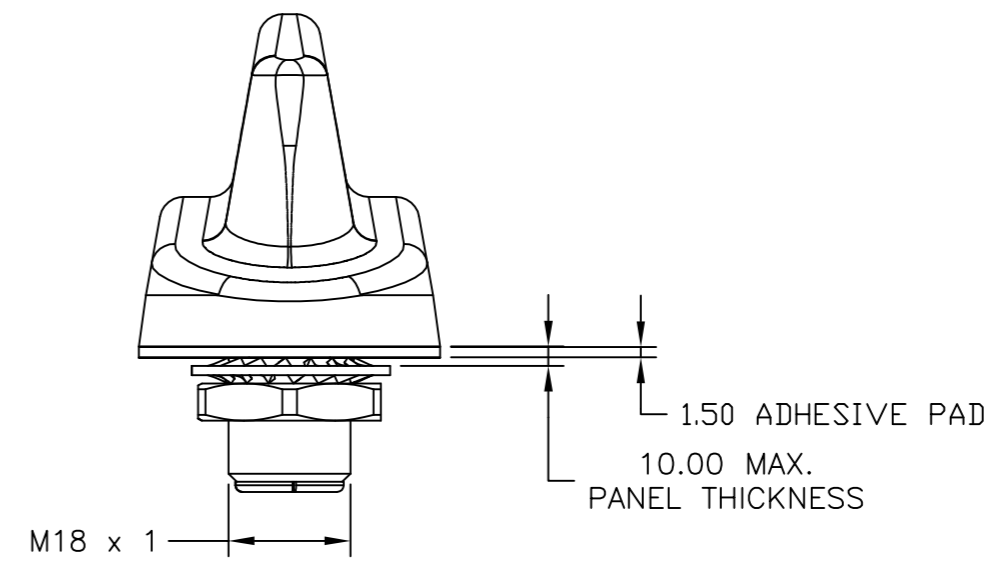
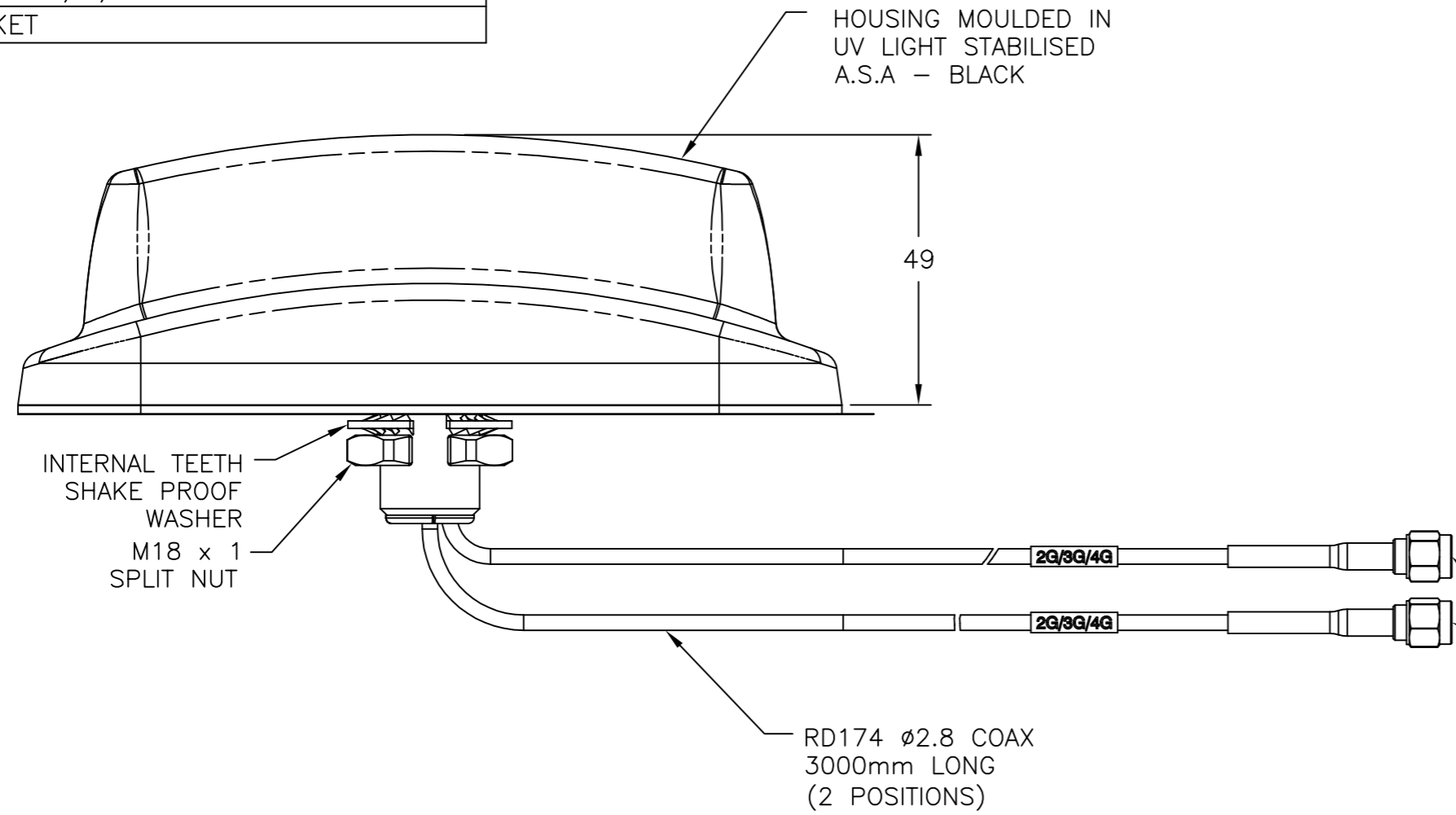
3

2

1

THIS DRAWING IS UNPUBLISHED.		RELEASED FOR PUBLICATION	
© COPYRIGHT - By -		ALL RIGHTS RESERVED.	
PROJECT	PRJ-16-000905033		
PART NO.	1-2309605-1		
HV DESC	LOW PROF MIMO 2/3/4G 3m CABLES SMAP		
CUSTOMER	GENERAL MARKET		

REVISIONS				
P	LTR	DESCRIPTION	DATE	APVD
	A	NEW RELEASE	26AUG2016	KK GG

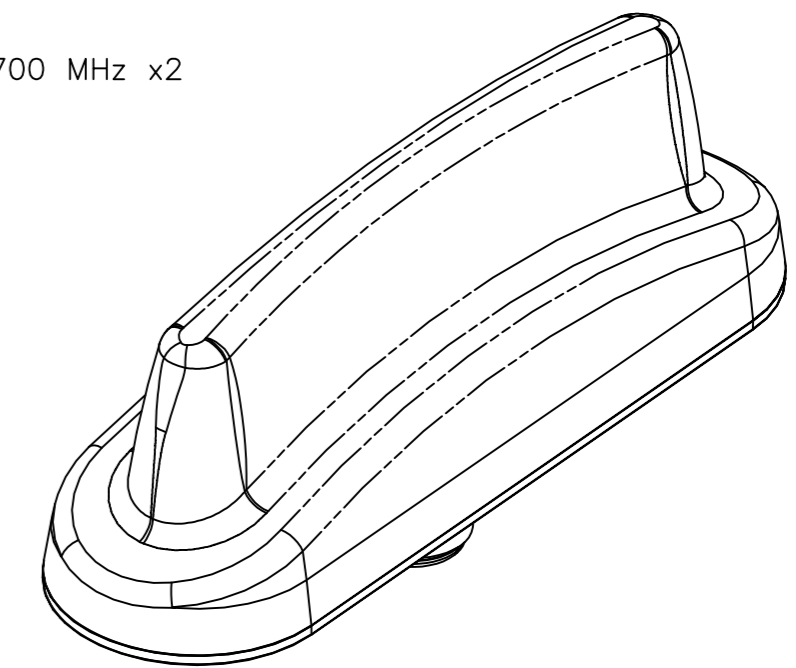


NOTES:

1. ALL MATERIALS SUPPLIED MUST BE RoHS2 (DIRECTIVE 2011/65/EU) COMPLIANT AND MUST NOT CONTAIN ANY SUBSTANCES OF VERY HIGH CONCERN (SVHCs) LISTED UNDER REACH OR POLY-AROMATIC HYDROCARBONS (PAHs), OR PERSISTENT ORGANIC POLLUTANTS (POPs) CONTROLLED BY THE STOCKHOLM CONVENTION.
2. WEIGHT 297.18g.

OPERATING FREQUENCIES:

698 - 960 / 1710 - 2700 MHz x2



ISO VIEW

THIS DRAWING IS A CONTROLLED DOCUMENT.

DIMENSIONS:	TOLERANCES UNLESS OTHERWISE SPECIFIED:
mm	
	0 PLC ± 0.5
	1 PLC ± 0.1
	2 PLC ± 0.2
	3 PLC ± -
	4 PLC ± -
	ANGLES ± 1°
MATERIAL	FINISH
-	-

1-2309605-1	LOW PROF MIMO 2/3/4G 3m CABLES SMAP	BLACK COLOR
TE PN'S	DESCRIPTION	REMARKS
DWN KIRAN K 26AUG2016	TE Connectivity	
CHK GUNASEKHAR G 26AUG2016		
APVD GUNASEKHAR G 26AUG2016	NAME	
PRODUCT SPEC	LOW PROF MIMO 2/3/4G 3m CABLES SMAP	
APPLICATION SPEC	SIZE	RESTRICTED TO
WEIGHT	A2 00779	-
CUSTOMER DRAWING	C=2309605	
SCALE	NTS	SHEET 1 of 1
REV	A	

2309605