



Chipsmall Limited consists of a professional team with an average of over 10 year of expertise in the distribution of electronic components. Based in Hongkong, we have already established firm and mutual-benefit business relationships with customers from,Europe,America and south Asia,supplying obsolete and hard-to-find components to meet their specific needs.

With the principle of “Quality Parts,Customers Priority,Honest Operation,and Considerate Service”,our business mainly focus on the distribution of electronic components. Line cards we deal with include Microchip,ALPS,ROHM,Xilinx,Pulse,ON,Everlight and Freescale. Main products comprise IC,Modules,Potentiometer,IC Socket,Relay,Connector.Our parts cover such applications as commercial,industrial, and automotives areas.

We are looking forward to setting up business relationship with you and hope to provide you with the best service and solution. Let us make a better world for our industry!



Contact us

Tel: +86-755-8981 8866 Fax: +86-755-8427 6832

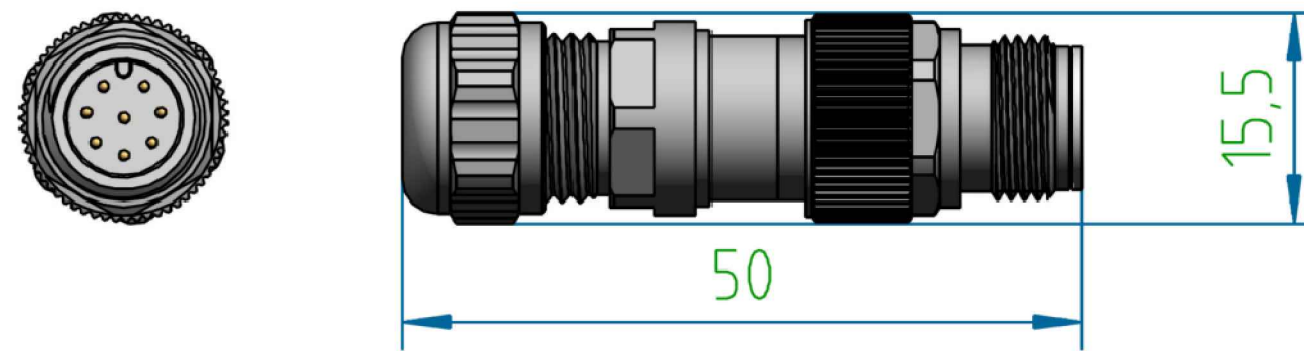
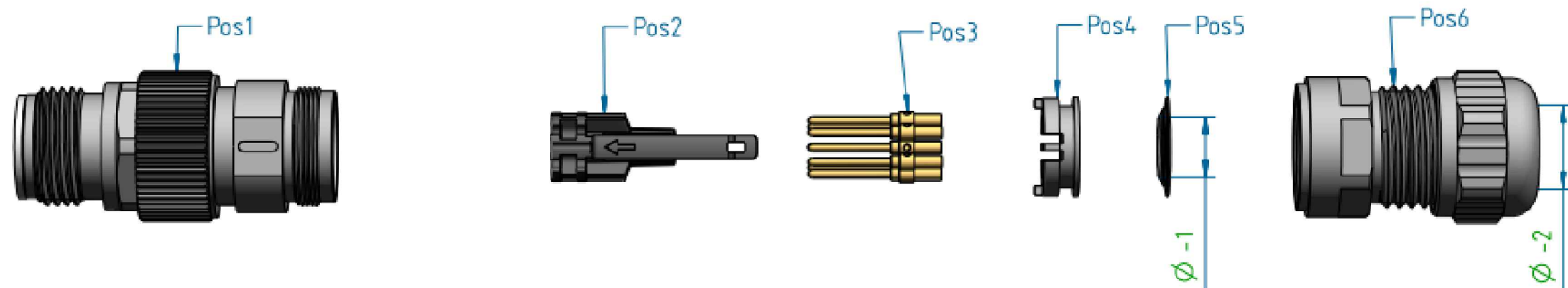
Email & Skype: info@chipsmall.com Web: www.chipsmall.com

Address: A1208, Overseas Decoration Building, #122 Zhenhua RD., Futian, Shenzhen, China

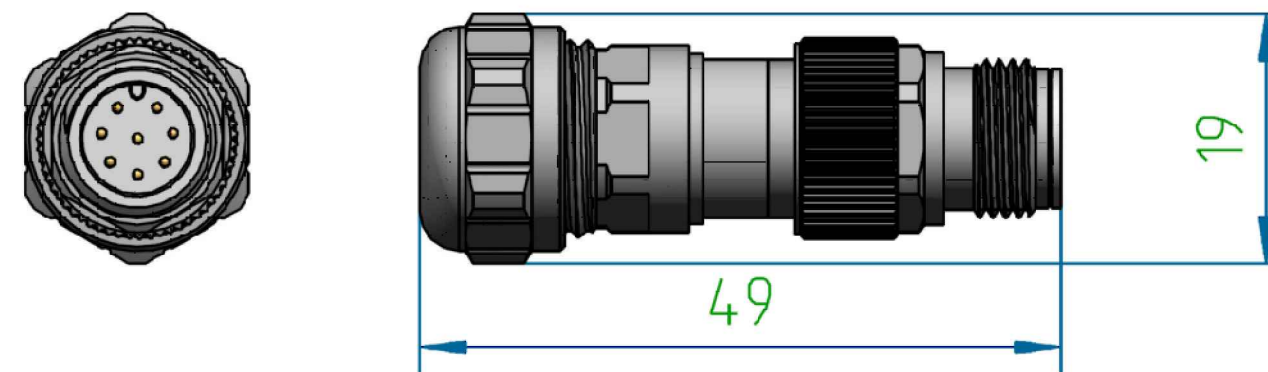


THIS DRAWING IS UNPUBLISHED.		RELEASED FOR PUBLICATION	
© COPYRIGHT - By -		ALL RIGHTS RESERVED.	
PROJECT	PRJ-14-000004825		
PART NO.	X-2312547-X		
DESCRIPTION	M12 A-CODED M-8 CABLE GLAND CONNECTOR MALE		
CUSTOMER	GENERAL MARKET		

REVISIONS				
P	LTR	DESCRIPTION	DATE	APVD
A4		REVISED PER ECR-17-005478	14APR2017	KK SE



M12 A-8 MALE CABLE CLAMP RANGE FROM 4-6.5 mm




M12 A-8 MALE CABLE CLAMP RANGE FROM 5.5-9 mm

SL. NO.	QTY	DESCRIPTION	MATERIAL
6	1	CABLE GLAND	Cu-ALLOY
5	1	DISC	Cu-ALLOY
4	1	DISC HEAD	Cu-ALLOY
3	-	ORDERED SEPARATELY	Cu-ALLOY GOLD-PLATED
2	1	CONTACT HOLDER	PA (THERMOPLAST)
1	1	FRONT HOUSING	Cu-ALLOY NICKEL-PLATED

M12 A-CODED M-8 CABLE GLAND MALE CONNECTOR

SL. NO.	TE PART NO.	DESCRIPTION	CONTACTS	Ø-1	Ø-2
1	1-2312547-1	M12 A-CODED M-8 CABLE GLAND CONNECTOR MALE 4-6.5 mm	8	4-6 mm	4-6.5 mm
2	1-2312547-2	M12 A-CODED M-8 CABLE GLAND CONNECTOR MALE 5.5-9 mm	8	4-7 mm	5.5-9 mm

SHIELD DISC CHART		
PART NAME	CENTER HOLE SHIELD DISC	CABLE DIAMETER W/O OUTER SHEATH
SHIELD DISC 1	4 mm	3.9 mm MAX.
SHIELD DISC 2	5 mm	4.9 mm MAX.
SHIELD DISC 3	6 mm	5.9 mm MAX.
SHIELD DISC 4	7 mm	6.9 mm MAX.

CONTACTS TABLE					
M12 CODING	PIN/SOCKET	PICTURE	WIRE SIZE	TE P/N	DESCRIPTION
A8 CODING	PIN		AWG22	1-2314097-1	M12 CRIMP CONTACT PIN 0.8mm Au 0.8µ
			AWG26	1-2314097-2	M12 CRIMP CONTACT PIN 0.8mm Au 0.8µ


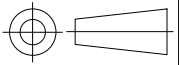
PLEASE NOTE: CONTACTS NEED TO BE ORDERED SEPARATELY DEPENDING ON THE AWG SIZE.



ISO VIEW

NOTES:

- ALL DIMENSIONS ARE FOR NOMINAL REFERENCE ONLY.
- PACKAGING: 1 PIECE IN A BAG.
- THE CONNECTOR IS AS PER IEC 61076-2-101.
- TEMPERATURE RANGE: -40°C TO 85°C.
- VIBRATION & SHOCK TEST CONDUCTED AS PER IEC 61373:1999.
- FIRE PERFORMANCE CONDUCTED AS PER EN45545-2, NFF16-101 AND NFF16-102.
- THE THREAD OF THE MATING INTERLACE WITH THE COUNTERPART IS M12x1 ACCORDING TO IEC61076-2-101.
- SUPPLIER RECOMMENDED CRIMP INSERT: SHOULD BE VALIDATED ON CABLE USED.
- SHIELD DISC 1 - 4 ARE SUPPLIED IN THE BOX.

THIS DRAWING IS A CONTROLLED DOCUMENT.		DWN KIRAN K 21NOV2016	 TE Connectivity	
DIMENSIONS: mm		CHK KIRAN K 21NOV2016		
TOLERANCES UNLESS OTHERWISE SPECIFIED: DIN ISO 2768 m		APVD S EGBERT 21NOV2016	NAME M12 A-CODED M-8 CABLE GLAND CONNECTORS MALE	
		PRODUCT SPEC 108-156001	SIZE A2	
MATERIAL		APPLICATION SPEC 114-156002	CAGE CODE 00779	DRAWING NO C=2312547
FINISH		WEIGHT	RESTRICTED TO	
		CUSTOMER DRAWING	SCALE NTS	SHEET 1 of 1
			REV A4	