



Chipsmall Limited consists of a professional team with an average of over 10 year of expertise in the distribution of electronic components. Based in Hongkong, we have already established firm and mutual-benefit business relationships with customers from,Europe,America and south Asia,supplying obsolete and hard-to-find components to meet their specific needs.

With the principle of “Quality Parts,Customers Priority,Honest Operation,and Considerate Service”,our business mainly focus on the distribution of electronic components. Line cards we deal with include Microchip,ALPS,ROHM,Xilinx,Pulse,ON,Everlight and Freescale. Main products comprise IC,Modules,Potentiometer,IC Socket,Relay,Connector.Our parts cover such applications as commercial,industrial, and automotives areas.

We are looking forward to setting up business relationship with you and hope to provide you with the best service and solution. Let us make a better world for our industry!



Contact us

Tel: +86-755-8981 8866 Fax: +86-755-8427 6832

Email & Skype: info@chipsmall.com Web: www.chipsmall.com

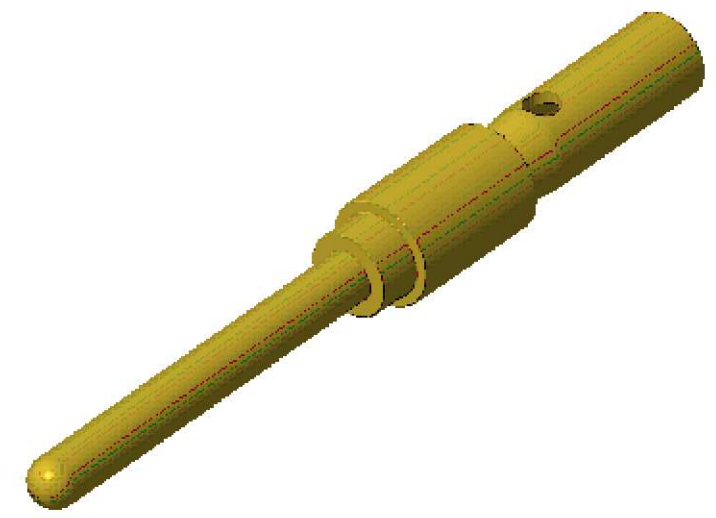
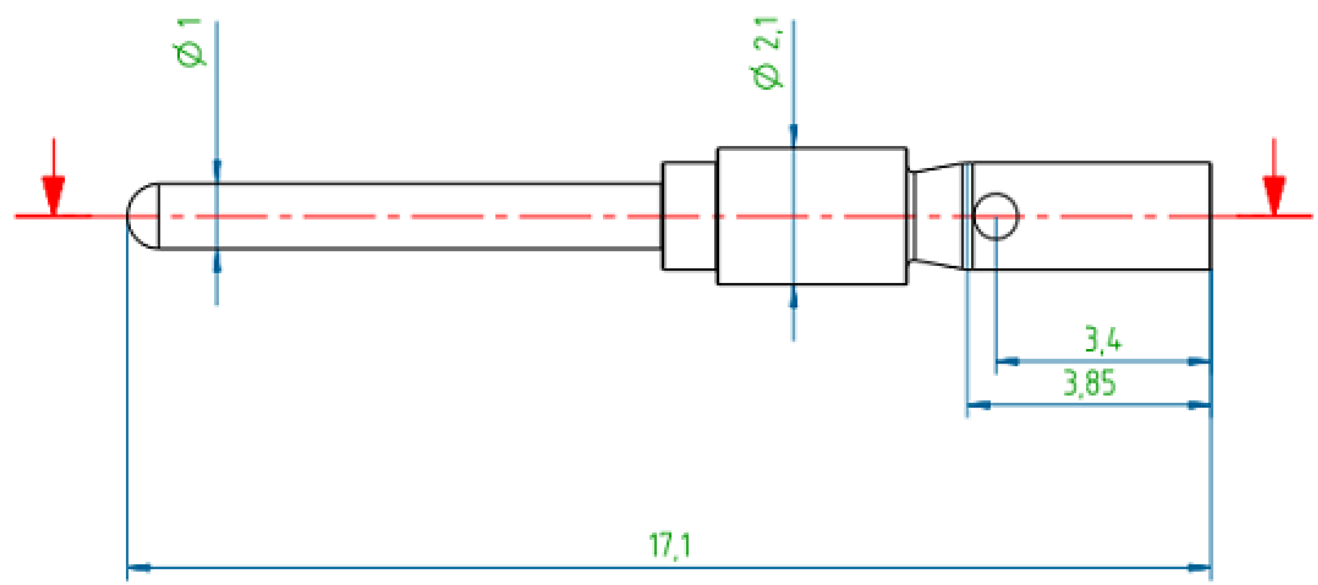
Address: A1208, Overseas Decoration Building, #122 Zhenhua RD., Futian, Shenzhen, China



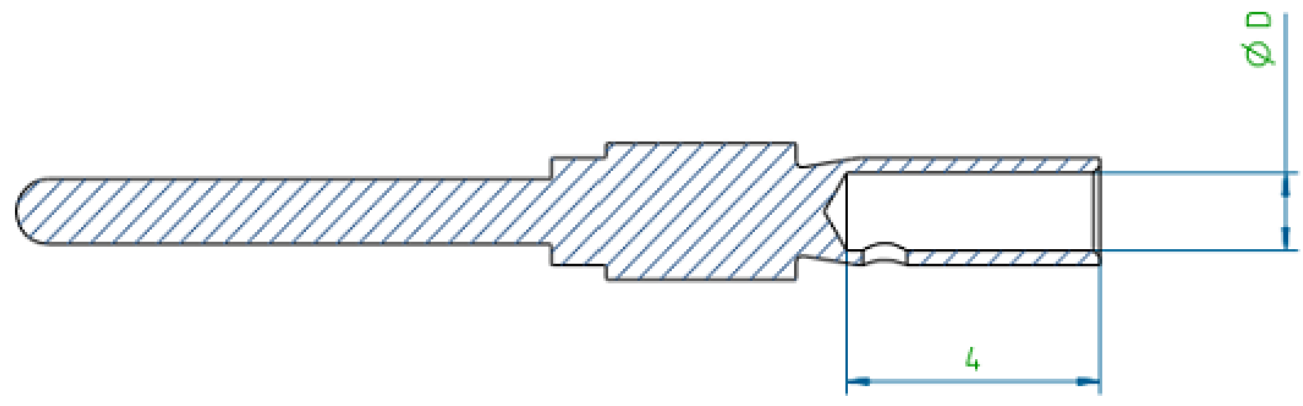
THIS DRAWING IS UNPUBLISHED. RELEASED FOR PUBLICATION SEP ,2017.
 © COPYRIGHT 2017 By TE Connectivity ALL RIGHTS RESERVED.

PROJECT	PRJ-14-000004825
PART NO.	X-2314102-X
DESCRIPTION	M12 CRIMP CONTACT PIN 1mm Au 0.8μ AWG20/AWG22
CUSTOMER	GENERAL MARKET

REVISIONS					
P	LTR	DESCRIPTION	DATE	DWN	APVD
	A2	REVISED PER ECR-17-013331	11SEP2017	GK	SE



ISO VIEW



SL. NO	PART NO.	PART NAME	ØD	MATERIAL	SURFACE TREATMENT	REMARKS
3	1-2314102-4	M12 CRIMP CONTACT PIN 1mm AWG26 Au 0.8μ	0.6	BRASS	1.5-2.5μm Ni/0.8μm Au	-
2	1-2314102-2	M12 CRIMP CONTACT PIN 1mm AWG22/24 Au 0.8μ	0.9			-
1	1-2314102-1	M12 CRIMP CONTACT PIN 1mm AWG20 Au 0.8μ	1.1			-

NOTES:
 1. APPLICATION TOOLING TO BE USED
 601967-1 (STANDARD) OR
 601966-1 (COMPACT).

THIS DRAWING IS A CONTROLLED DOCUMENT.		DWN KIRAN K 06DEC2016	TE Connectivity M12 CRIMP CONTACT PIN 1mm Au 0.8 MICRON AWG20/AWG22		
DIMENSIONS: mm		CHK KIRAN K 06DEC2016			
TOLERANCES UNLESS OTHERWISE SPECIFIED: DIN ISO 2768 m		APVD S EGBERT 06DEC2016	NAME		
 0 PLC ± - 1 PLC ± - 2 PLC ± - 3 PLC ± - 4 PLC ± - ANGLES ± -		PRODUCT SPEC 108-156001	RESTRICTED TO		
MATERIAL		APPLICATION SPEC 114-156002	SIZE A3	CAGE CODE 00779	DRAWING NO C-2314102
FINISH		WEIGHT	SCALE NTS		SHEET 1 OF 1
		CUSTOMER DRAWING	REV A2		