



Chipsmall Limited consists of a professional team with an average of over 10 year of expertise in the distribution of electronic components. Based in Hongkong, we have already established firm and mutual-benefit business relationships with customers from,Europe,America and south Asia,supplying obsolete and hard-to-find components to meet their specific needs.

With the principle of “Quality Parts,Customers Priority,Honest Operation,and Considerate Service”,our business mainly focus on the distribution of electronic components. Line cards we deal with include Microchip,ALPS,ROHM,Xilinx,Pulse,ON,Everlight and Freescale. Main products comprise IC,Modules,Potentiometer,IC Socket,Relay,Connector.Our parts cover such applications as commercial,industrial, and automotives areas.

We are looking forward to setting up business relationship with you and hope to provide you with the best service and solution. Let us make a better world for our industry!



Contact us

Tel: +86-755-8981 8866 Fax: +86-755-8427 6832

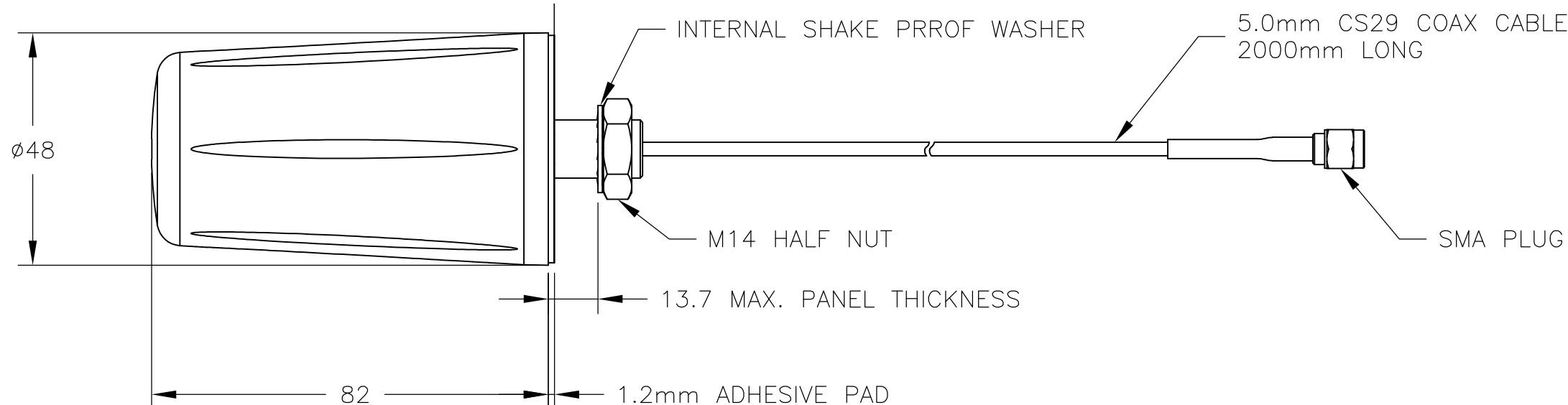
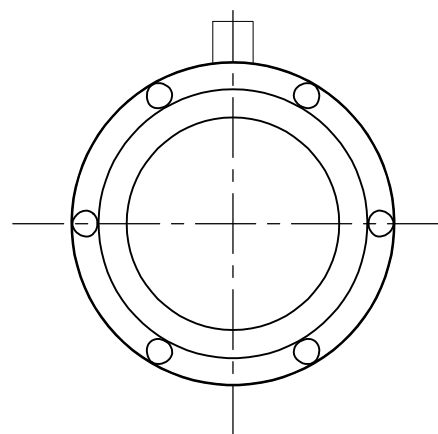
Email & Skype: info@chipsmall.com Web: www.chipsmall.com

Address: A1208, Overseas Decoration Building, #122 Zhenhua RD., Futian, Shenzhen, China



THIS DRAWING IS UNPUBLISHED.		RELEASED FOR PUBLICATION	
© COPYRIGHT - By -		ALL RIGHTS RESERVED.	
PROJECT NO.	PRJ-16-000905033		
PART NO.	1-2316881-1		
HV DESC.	SISO M2M/IOT LTE ANTENNA 2M CABLE		
CUSTOMER	GENERAL MARKET		

REVISIONS				
P	LTR	DESCRIPTION	DATE	APVD
	A	NEW RELEASE	22FEB2017	KK SE

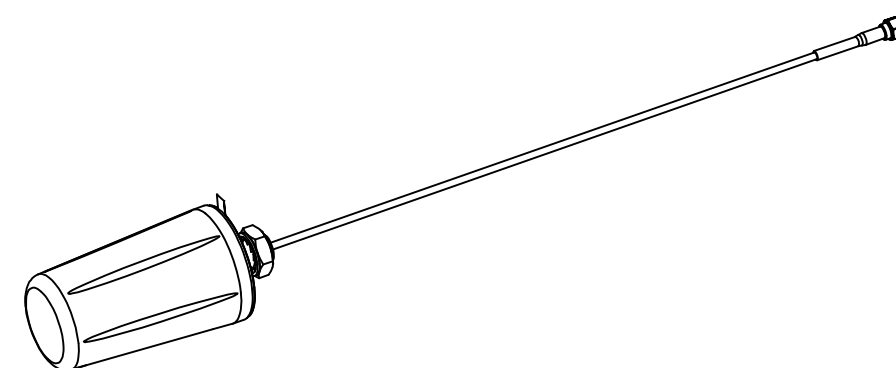


OPERATING FREQUENCIES

698 - 960 / 1710 - 2700 MHz


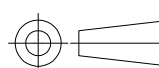
NOTES:

1. ALL MATERIALS SUPPLIED MUST BE RoHS2 (DIRECTIVE 2011/65/EU) COMPLIANT AND MUST NOT CONTAIN ANY SUBSTANCES OF VERY HIGH CONCERN (SVHCs) LISTED UNDER REACH OR POLY-AROMATIC HYDROCARBONS (PAHs), OR PERSISTENT ORGANIC POLLUTANTS (POPs) CONTROLLED BY THE STOCKHOLM CONVENTI.
2. OPERATING TEMPERATURE -40 TO + 80°C.
3. MAX. INPUT POWER: 60W.
4. MATERIAL: HIGH IMPACT UV STABLE ABS.
5. PEAK GAIN (dBi): 5
6. PANEL MOUNTED WITH 14mm MOUNTING BUSH.
7. PATTERN: OMNI-DIRECTIONAL.
8. SUPPLIED WITH A CONVENIENT ADHESIVE PAD AND A SHORT PIGTAIL FOR CONNECTION TO A CABLE EXTENSION RUN THE ANTENNA IS COST EFFECTIVE TO INSTALL AND ADAPTABLE TO ANY INSTALL ENVIRONMENT.
9. WEIGHT: 331 gr.



ISO VIEW

1-2316881-1	SISO M2M/IOT LTE ANTENNA 2M CABLE	BLACK/WHITE COLOR
TE P/N	DESCRIPTION	REMARKS

THIS DRAWING IS A CONTROLLED DOCUMENT.		DWN	21FEB2017	 TE Connectivity				
DIMENSIONS: mm 		CHK	21FEB2017				NAME	
		KIRAN K						
TOLERANCES UNLESS OTHERWISE SPECIFIED: 0 PLC ± - 1 PLC ± - 2 PLC ± - 3 PLC ± - 4 PLC ± - ANGLES ± -		APVD	21FEB2017				SISO M2M/IOT LTE ANTENNA 2M CABLE	
		S EGBERT		PRODUCT SPEC				
MATERIAL		FINISH		APPLICATION SPEC	SIZE	CAGE CODE	DRAWING NO	RESTRICTED TO
-		-		-	A3	00779	C-2316881	-
CUSTOMER DRAWING				SCALE	NTS	SHEET	1 OF 1	REV
				A				