



Chipsmall Limited consists of a professional team with an average of over 10 year of expertise in the distribution of electronic components. Based in Hongkong, we have already established firm and mutual-benefit business relationships with customers from,Europe,America and south Asia,supplying obsolete and hard-to-find components to meet their specific needs.

With the principle of “Quality Parts,Customers Priority,Honest Operation,and Considerate Service”,our business mainly focus on the distribution of electronic components. Line cards we deal with include Microchip,ALPS,ROHM,Xilinx,Pulse,ON,Everlight and Freescale. Main products comprise IC,Modules,Potentiometer,IC Socket,Relay,Connector.Our parts cover such applications as commercial,industrial, and automotives areas.

We are looking forward to setting up business relationship with you and hope to provide you with the best service and solution. Let us make a better world for our industry!



Contact us

Tel: +86-755-8981 8866 Fax: +86-755-8427 6832

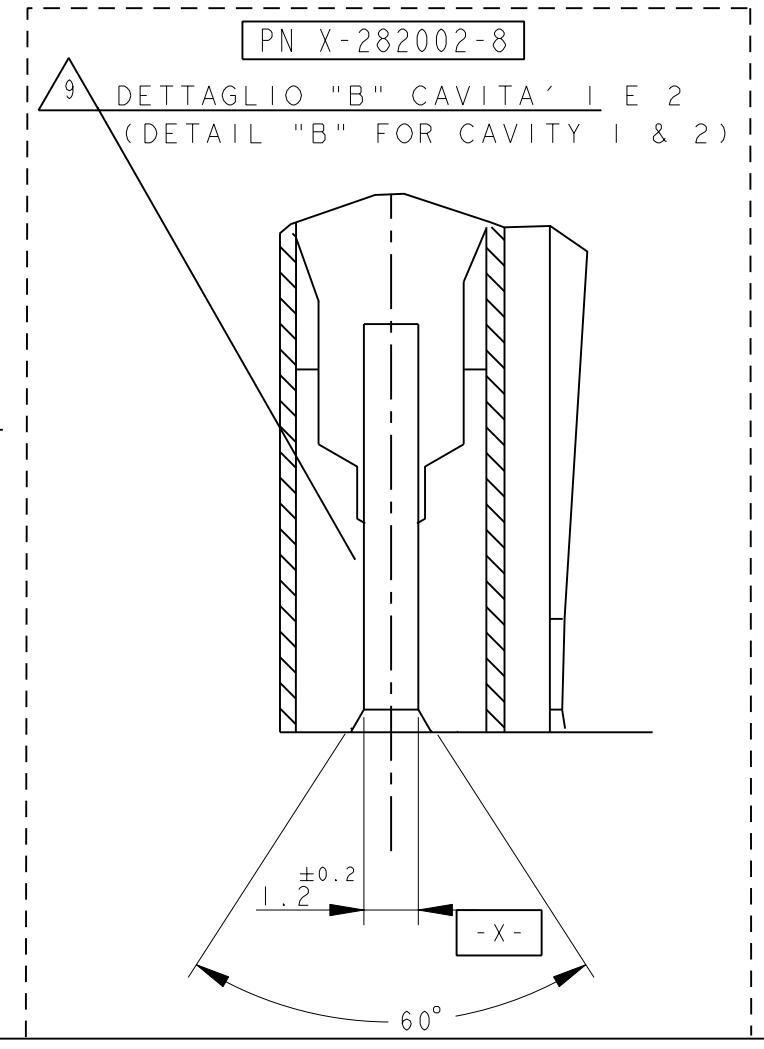
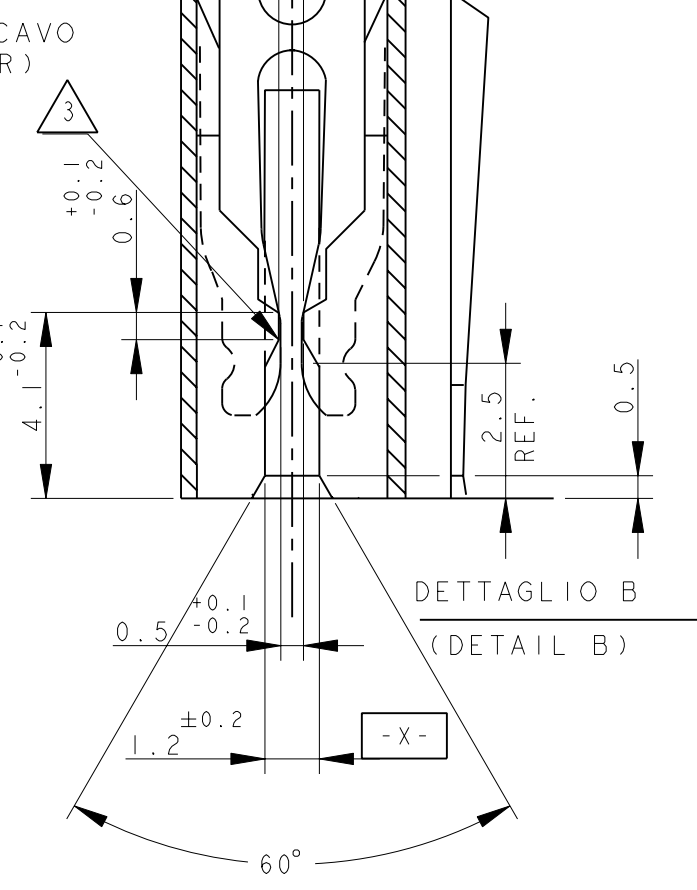
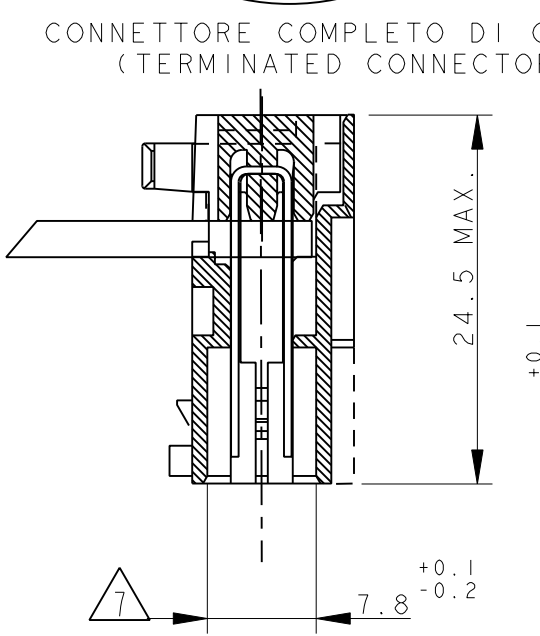
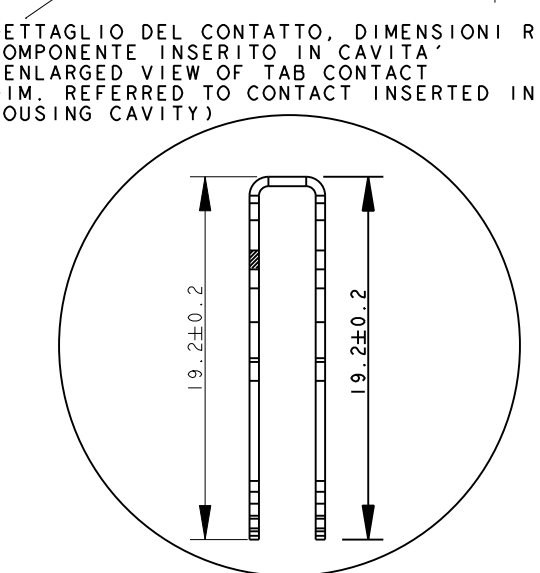
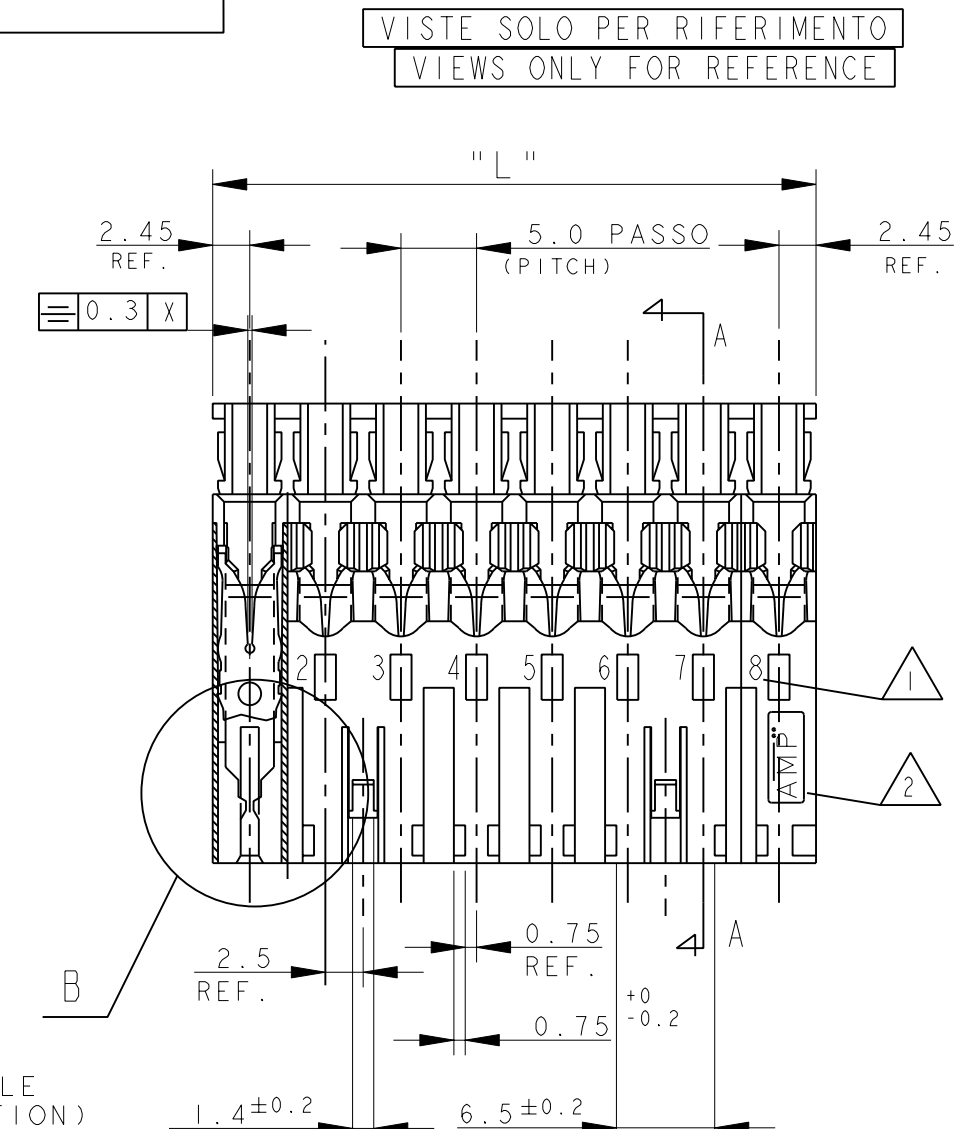
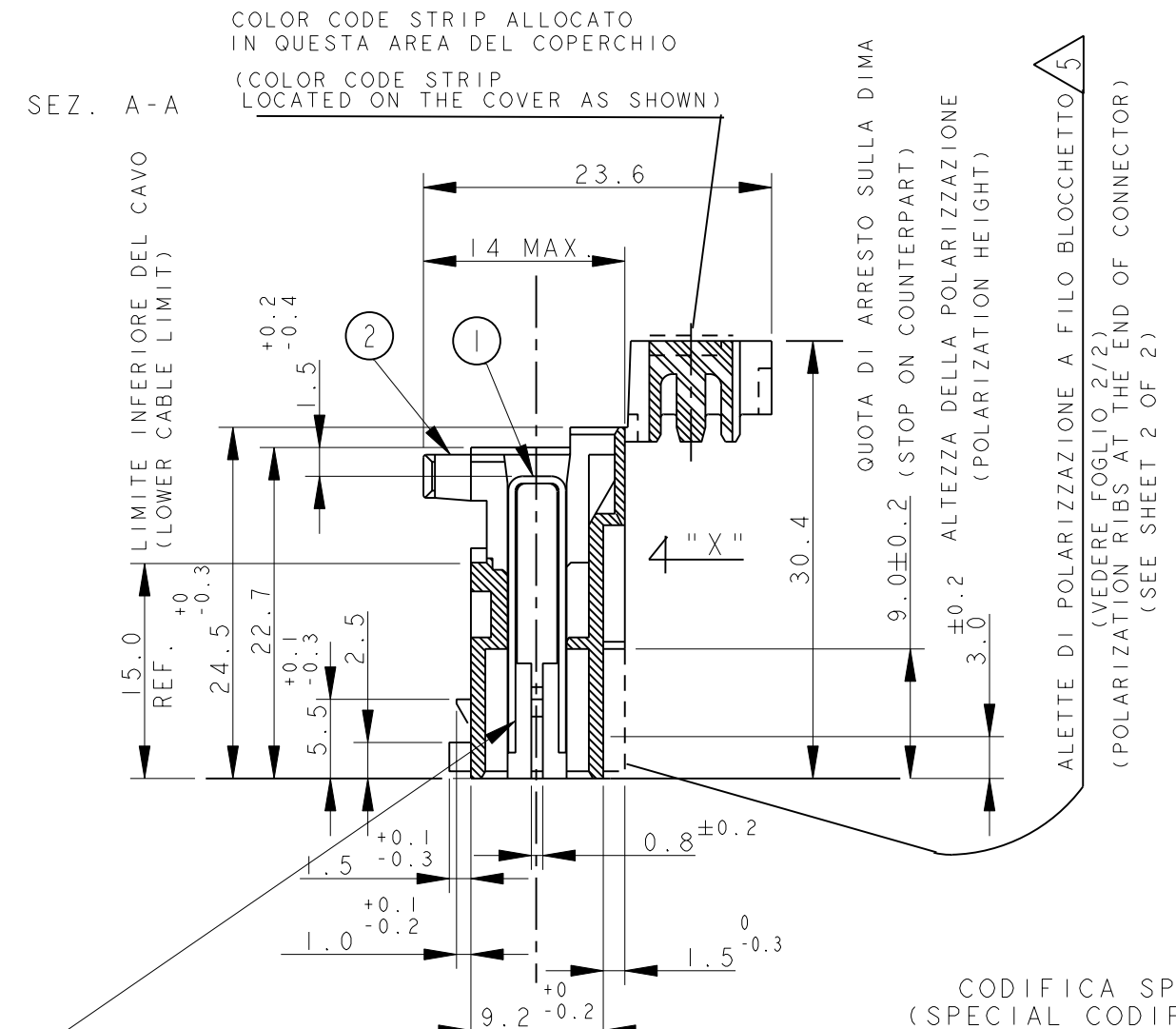
Email & Skype: info@chipsmall.com Web: www.chipsmall.com

Address: A1208, Overseas Decoration Building, #122 Zhenhua RD., Futian, Shenzhen, China



THIS DRAWING IS UNPUBLISHED. RELEASED FOR PUBLICATION
 © COPYRIGHT 2011 ALL RIGHTS RESERVED.

| REVISONS | | DATE | DWN | APVD |
|----------|-----|--|-----------|---------|
| P | LTR | DESCRIPTION | | |
| AA6 | | REVISED PER ECO-11-005301 | 28MAR2011 | RK HMR |
| AA7 | | NEW PN 5-282002-2 ADDED(ECR-11-019533) | 27SEP2011 | DMK RRP |

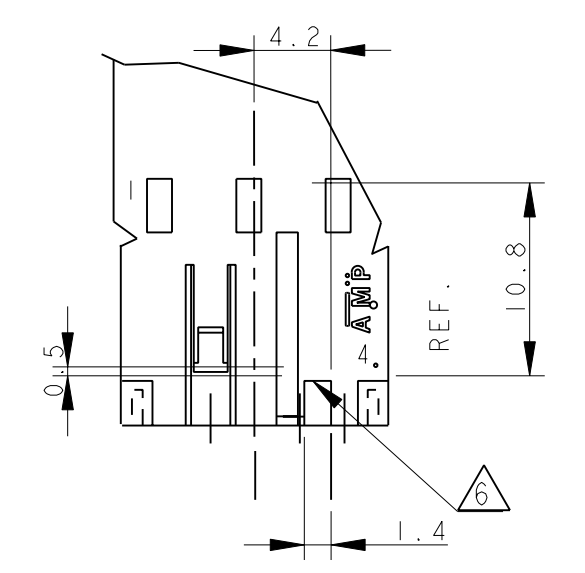


DETAIL PN/s:
 1-282006-3
 2-282006-3
 3-282006-3

POLARIZATION KEYS
 (VIEW FROM "X")

- NOTE/NOTES:
- NUMERI DI IDENTIFICAZIONE CAVITA' (CIRCUIT IDENTIFICATION)
 - MARCHIO DI FABBRICAZIONE LIBERA POSIZIONE (AMP LOGO FREE POSITION)
 - L'AGGANCIAMENTO PER LINGUETTA E' POSIZIONATO SOLO NELLA CAVITA' N.1 ED E' RICHIESTA SOLO SUI CONNETTORI A 2 E 3 POSIZIONI, FA ECCEZIONE LA VERSIONE SPECIALE PN X-282002-8 PER QUESTO PN LA CAVITA' N.1 E' SENZA AGGANCIAMENTO ED E' UGUALE ALLA N.2 (RETENTION TOOTH IS REQUESTED FOR THE 2 AND 3 POS. ONLY; IT IS LOCATED ON THE CAVITY N.1 ONLY, EXCEPTION MADE FOR PN X-282002-8 FOR THIS PN, CAVITY 1 IS WITHOUT RETENTION TOOTH AND HAS THE SAME DESIGN AS THE CAVITY N.2)
 - PN NON ANCORA IN PRODUZIONE (PN NOT YET RELEASED FOR PRODUCTION)
 - PER QUESTI P/N LA POLARIZZAZIONE POSTERIORE DEVE INTENDERSI COMPLETA, A FINE BLOCCHETTO (per la rappresentazione vedere foglio 1/2) (FOR THE INDICATE P/N THE POLARIZATION MUST BE AT THE END OF CONNECTOR (see sheet 2 of 2))
 - CODIFICA CON DIFFERENTE DIMENSIONE (CODIFICATION WITH DIFFERENT DIMENSION)
 - DIVENTA 6.5 PER LA CAVITA' N. 1 SOLO SUI CONNETTORI A 2,3,4,VIE. (BECOMES 6.5. FOR THE CAVITY N.1 ON THE 2,3,4, POS. ONLY.)
 - INCLUDE LA POLARIZZAZIONE DOVE E' ESISTENTE (INCLUDING POLARIZATION KEY, WHEN EXISTING)
 - DETTAGLIO PER VERSIONE SPECIALE X-282002-8, VEDI ANCHE NOTA 3 (DETAIL FOR PN X-282002-8, SPECIAL VERSION, SEE ALSO NOTE 3)
 - P/N NON RILASCIATO PER LA PRODUZIONE (P/N NOT YET RELEASED FOR PRODUCTION)
 - APPROVAZIONE VDE, FILE NO.3905. (VDE APPROVAL, FILE NO. 3905).
 - GEOMETRIA ALTERNATIVA DEL DENTINO DI AGGANCIAMENTO VEDI NOTA 3 PER ALTRI DETTAGLI (ALTERNATIVE SHAPE FOR RETENTION TOOTH, SEE NOTE 3 FOR ADDITIONAL DETAILS)
 - STATO DI FORNITURA: CONFEZIONAMENTO IN "VASSOI + SCATOLA" (PACKAGING: "ON TRAY PLUS CARTON BOX")
 - CONFEZIONAMENTO IN BOBINA OBSOLETO (PACKAGING: ON REEL OBSOLETE)
 - OBSOLETE PARTS: OBSOLETE CIS STREAMLINING PER D.RENAUD/D.SINISI

DETAIL FOR PN 0-282233-2 ONLY



| ITEM | DENOMINAZIONE (DESCRIPTION) | FINITURA / COLORE (FINISH / COLOUR) | MATERIALE (MATERIAL) |
|------|-----------------------------|-------------------------------------|---|
| 2 | BLOCCHETTO (HOUSING) | NATURALE (NATURAL) | PA 6.6 CARICATO VETRO (POLIAMIDE 6.6 GLASSFIBER FILLED) |
| 1 | CONTATTO (CONTACT) | STAGNATO (TIN-PLATED) | OTTONE (BRASS) |

THIS DRAWING IS A CONTROLLED DOCUMENT.

DIMENSIONS: mm

TOLERANCES UNLESS OTHERWISE SPECIFIED: 0.3

MATERIAL: SEE TABLE

FINISH: SEE TABLE

DWN: G. ENDRIZZI 23JUL1995

CHK: G. TURCO 23JUL1995

APVD: G. TURCO 23JUL1995

PRODUCT SPEC: 108-200065-1, 108-200065-2

APPLICATION SPEC: 114-20016, 114-20016-1

WEIGHT: -

CUSTOMER DRAWING

SCALE: NO

SHEET 1 OF 3

REV: AA7

STE TE Connectivity

MONO-SHAPE MK1 TAB CONNECTORS 2-10 POS.

SIZE: A2

CAGE CODE: 60779

DRAWING NO: 282002

RESTRICTED TO: -

THIS DRAWING IS UNPUBLISHED. RELEASED FOR PUBLICATION
 © COPYRIGHT 2011 ALL RIGHTS RESERVED.

| LOC | | DIST | | REVISIONS | | | |
|-----|-----|-------------|------|-----------|------|--|--|
| P | LTR | DESCRIPTION | DATE | DWN | APVD | | |
| - | - | SEE SHEET 1 | | | | | |

VISTE SOLO PER RIFERIMENTO
 VIEWS ONLY FOR REFERENCE

| NUMERO DI VIE | CONFIGURAZIONE (Vista connettore dall'alto) | TE PART NUMBER ASSY CONN. | | | | POSIZIONE POLARIZ. (LATO POSTERIORE) | POSIZIONE AGGANCIO (LATO ANTERIORE) | POSIZIONE CODIFICA SPECIALE (LATO ANTERIORE) | L (+0.2 / -0.3) (mm) | NOTE MARCHIATURA CON BANDA COLORATA | CODICI RAST 5 RICAVABILI |
|---------------|---|---------------------------|------------------------|--------------------------------------|-------------------------------------|--------------------------------------|-------------------------------------|--|----------------------|-------------------------------------|--------------------------|
| | | VERSIONE PEZZI IN VASSOIO | VERSIONE PEZZI SCIOLTI | POSIZIONE POLARIZ. (LATO POSTERIORE) | POSIZIONE AGGANCIO (LATO ANTERIORE) | | | | | | |
| NO. OF POS. | CONFIGURATION (View from top side) | TRAY PACKAGING VERSION | PART REV. | LOOSE PIECES PACKAGING VERSION | PART REV. | POLARIZ. POSITION (BACK SIDE) | LOCKING POSITION (FRONT SIDE) | SPECIAL COD. POSITION (FRONT SIDE) | L (+0.2 / -0.3) (mm) | NOTE STRIP COLOUR | RAST 5 OBTAINABLE CODE |
| 2 | | 1-282002-1 | V | 2-282002-1 | V | 2S | 1-2 | - | 9.9 | NERO BLACK | 02-C |
| 2 | | 1-282002-2 | V | 2-282002-2 | V | 1S 2D | 1-2 | - | 9.9 | GRIGIO GREY | 02-B 02-E 02-F |
| 2 | | 1-282002-3 | V | 2-282002-3 | V | 2D | 1-2 | - | 9.9 | ROSSO RED | 02-L |
| 2 | | 1-282002-4 | V | 2-282002-4 | V | 1D 2S | 1-2 | - | 9.9 | BLU BLUE | 02-A |
| 2 | | 1-282002-5 | V | 2-282002-5 | V | 1D | 1-2 | - | 9.9 | NERO BLACK | 02-Q |
| 2 | | 1-282002-6 | V | 2-282002-6 | V | - | 1-2 | - | 9.9 | NERO BLACK | - |
| 2 | | 1-282002-7 | V | 2-282002-7 | V | - | 1-2 | - | 9.9 | - | - |
| 2 | | 1-282002-8 | V | 2-282002-8 | V | 1S 2D | 1-2 | - | 9.9 | VERDE GREEN | 02-B 02-E 02-F |
| 3 | | 1-284396-1 | Z | - | - | 2S | 2-3 | - | 14.9 | NERO BLACK | - |
| 3 | | 1-282003-1 | V | 2-282003-1 | V | 1D | 1-2 | - | 14.9 | ARANCIO ORANGE | 03-A 03-I |
| 3 | | 1-282003-2 | V | 2-282003-2 | V | 2D 3D | 2-3 | - | 14.9 | BLU BLUE | 03-B |
| 3 | | 1-282003-3 | V | 2-282003-3 | V | 1S 3D | 1-2 | - | 14.9 | VERDE GREEN | 03-F |
| 3 | | 0-282233-2 | V | 2-282233-2 | V | 1S | 1-2 | - | 14.9 | - | 03-D |
| 3 | | 1-282003-4 | V | 2-282003-4 | V | 2D 3D | 2-3 | - | 14.9 | ROSSO RED | 03-B |
| 3 | | 1-282003-5 | V | 2-282003-5 | V | 2D 3D | 2-3 | - | 14.9 | GRIGIO GREY | 03-B |
| 3 | | 1-282003-6 | V | 2-282003-6 | V | - | 1-2 | - | 14.9 | VIOLA VIOLET | - |
| 3 | | 1-282003-7 | V | - | - | 2D 3D | 2-3 | - | 14.9 | NERO BLACK | 03-B |
| 4 | | 1-282004-1 | V | 2-282004-1 | V | 1D | 1-2 3-4 | 2D | 19.9 | GRIGIO GREY | 04-A |
| 4 | | 1-282004-2 | V | 2-282004-2 | V | 3D | 2-3 | - | 19.9 | NERO BLACK | 04-D |
| 4 | | 1-282004-3 | V | 2-282004-3 | V | 1D | 1-2 3-4 | 2D | 19.9 | ROSSO RED | 04-A |
| 4 | | 1-282004-4 | S | - | - | 3D 4D | 1-2 3-4 | - | 19.9 | BLU BLUE | - |
| 5 | | 1-282005-1 | V | 2-282005-1 | V | 4D | 4-5 | - | 24.9 | ROSSO RED | - |
| 5 | | 1-284545-1 | Z | - | - | 2S | 4-5 | - | 24.9 | ROSSO RED | - |
| 5 | | 1-293003-5 | Z | - | - | - | 4-5 | - | 24.9 | NERO BLACK | - |
| 5 | | 1-284545-2 | A | - | - | 1S 5D | - | 3D | 24.9 | - | - |
| 5 | | 1-284545-3 | A | - | - | 1S 5D | 1-2 3-4 | - | 24.9 | BLU BLUE | - |

| | | | | | | | | | | | |
|---|--|------------|---|---|---|--------|-----|---|-----|--------|----------------------|
| 2 | | 5-282002-2 | I | - | - | 1S, 2D | 1-2 | - | 9.9 | YELLOW | 02-B 02-E 02-F |
|---|--|------------|---|---|---|--------|-----|---|-----|--------|----------------------|

OBSOLETE

OBSOLETE

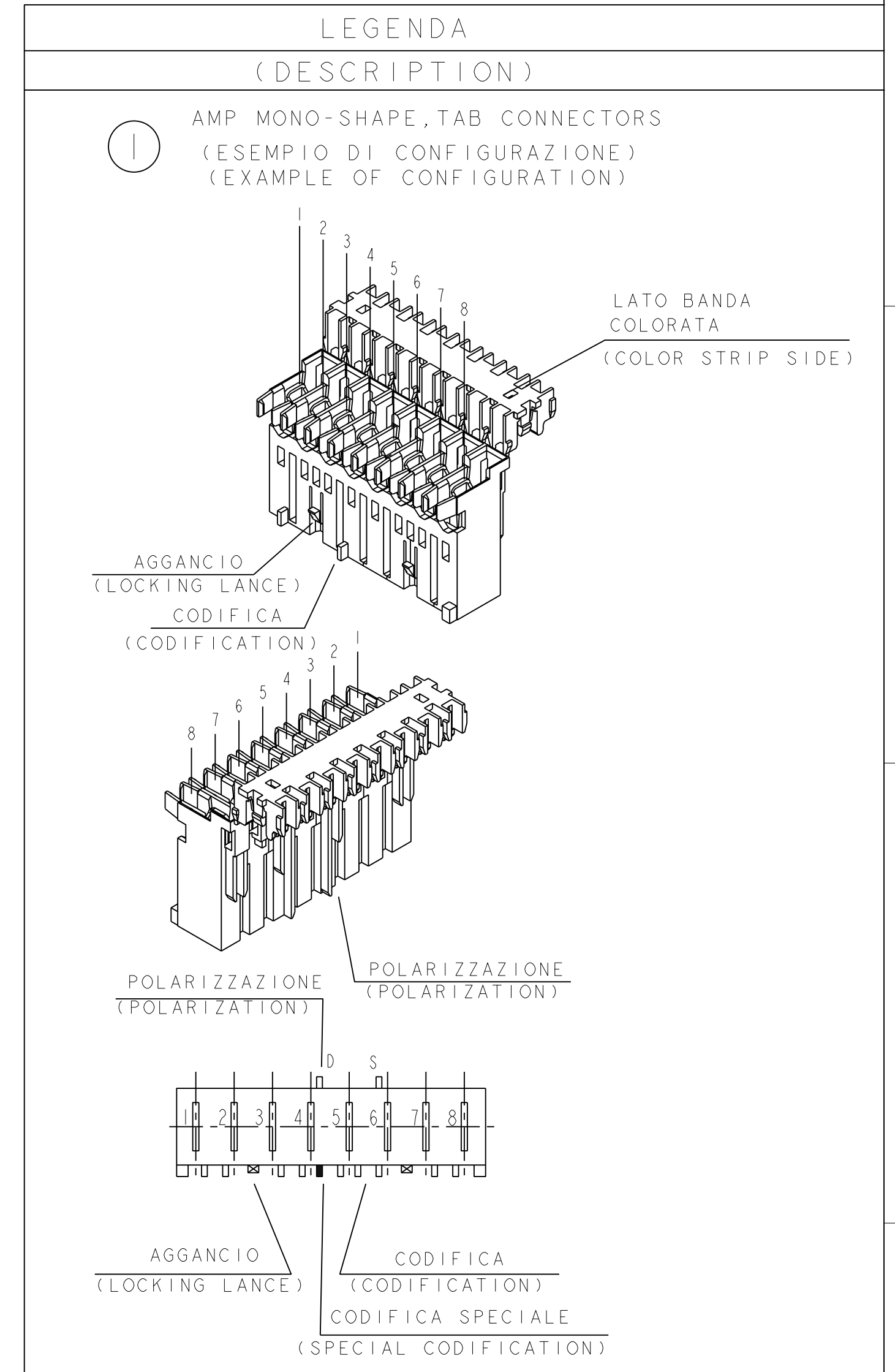
OBSOLETE

OBSOLETE

OBSOLETE

OBSOLETE

OBSOLETE



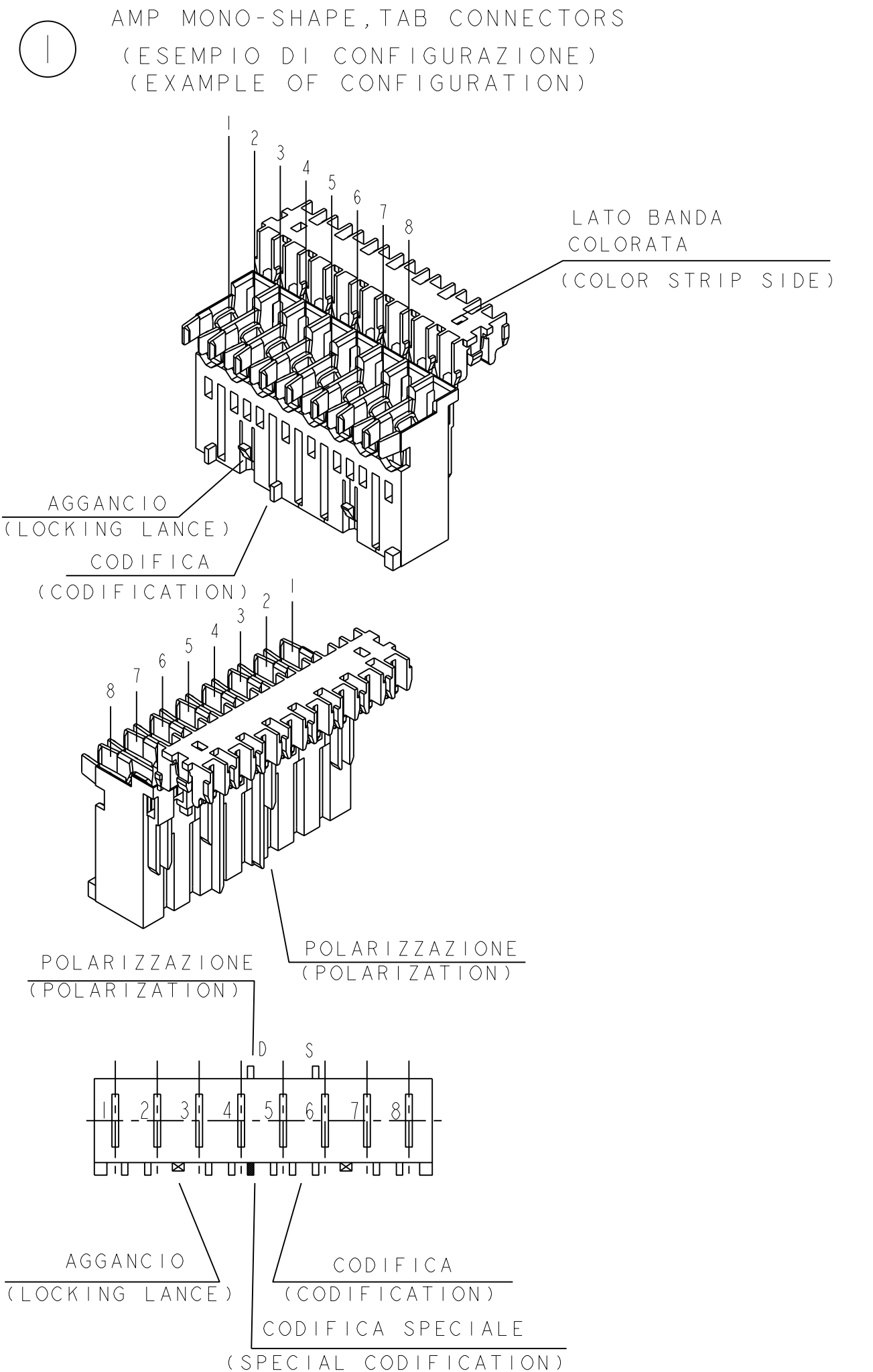
| | | | | | |
|--|--|---|-------------------------------|--|--|
| THIS DRAWING IS A CONTROLLED DOCUMENT. | | DWN G. ENDRIZZI 23JUL1995 | | TE Connectivity | |
| DIMENSIONS: mm | | CHK G. TURCO 23JUL1995 | | NAME MONO-SHAPE MK1 TAB CONNECTORS 2-10 POS. | |
| TOLERANCES UNLESS OTHERWISE SPECIFIED: | | APVD G. TURCO 23JUL1995 | RESTRICTED TO | | |
| 0 PLC ± | | PRODUCT SPEC 108-200065-1, 108-200065-2 | SIZE CAGE CODE DRAWING NO | | |
| 1 PLC ± | | APPLICATION SPEC 114-20016, 114-20016-1 | A260779C-282002 | | |
| 2 PLC ± | | WEIGHT - | SCALE NO SHEET 2 OF 3 REV AA7 | | |
| 3 PLC ± | | | | | |
| 4 PLC ± | | | | | |
| ANGLES ± | | | | | |
| FINISH | | | | | |
| MATERIAL SEE TABLE | | CUSTOMER DRAWING | | | |

THIS DRAWING IS UNPUBLISHED. RELEASED FOR PUBLICATION
 © COPYRIGHT 2011 ALL RIGHTS RESERVED.

| LOC | | DIST | | REVISIONS | | | |
|-----|-----|-------------|------|-----------|------|--|--|
| P | LTR | DESCRIPTION | DATE | DWN | APVD | | |
| | | SEE SHEET 1 | | | | | |

VISTE SOLO PER RIFERIMENTO
 VIEWS ONLY FOR REFERENCE

LEGENDA
 (DESCRIPTION)



| TE PART NUMBER ASSY CONN. | | | | | | | | | | | |
|---------------------------|---|---------------------------|-----------|--------------------------------|-----------|--------------------------------------|-------------------------------------|--|---|-------------------------------------|--------------------------|
| NUMERO DI VIE | CONFIGURAZIONE (Vista connettore dall'alto) | VERSIONE PEZZI IN VASSOIO | | VERSIONE PEZZI SCIOLTI | | POSIZIONE POLARIZ. (LATO POSTERIORE) | POSIZIONE AGGANCIO (LATO ANTERIORE) | POSIZIONE CODIFICA SPECIALE (LATO ANTERIORE) | ΔL ^{+0.2} / _{-0.3} (mm) | NOTE MARCHIATURA CON BANDA COLORATA | CODICI RAST 5 RICAVABILI |
| NO. OF POS. | CONFIGURATION (View from top side) | TRAY PACKAGING VERSION | PART REV. | LOOSE PIECES PACKAGING VERSION | PART REV. | POLARIZ. POSITION (BACK SIDE) | LOCKING POSITION (FRONT SIDE) | SPECIAL COD. POSITION (FRONT SIDE) | L ^{+0.2} / _{-0.3} (mm) | NOTE STRIP COLOUR | RAST 5 OBTAINABLE CODE |
| 6 | | 1-282006-2 | V | 2-282006-2 | V | 2S 5D | 2-3 | - | 29.9 | VIOLA VIOLET | - |
| 6 | | 1-282006-3 | V | 2-282006-3 | V | 2S 3D 4D 5D | 4-5 | - | 29.9 | - | - |
| 6 | | 2-282006-4 | V | - | - | 3D 5D | - | 5S | 29.9 | NERO BLACK | - |
| 6 | | 1-284745-1 | Z | - | - | 6D Δ | 4-5 | - | 29.9 | ROSSO RED | - |
| 7 | | 1-282007-1 | V | 2-282007-1 | V | 1D 5D Δ | 1-2 5-6 | 3S | 34.9 | - | - |
| 7 | | 1-284397-1 | Z | - | - | 2D | 1-2 5-6 | - | 34.9 | NERO BLACK | - |
| 7 | | 1-293004-7 | Z | - | - | - | 1-2 5-6 | - | 34.9 | ROSSO RED | - |
| 7 | | 2-282007-2 | V | - | - | 4D 6D | - | 6S | 34.9 | VIOLA VIOLET | - |
| 8 | | 0-284085-1 | V | 2-284085-1 | V | 2D 6S 4D 6D | - | 4S | 39.9 | - | - |
| 8 | | 0-284085-2 | V | 2-284085-2 | V | - | 2-3 | - | 39.9 | VIOLA VIOLET | - |
| 10 | | 1-282010-1 | V | 2-282010-1 | V | 6D 8S | 4-5 8-9 | 6S | 49.9 | - | - |
| 10 | | 0-284004-1 | V | - | - | 6D 8S | 4-5 8-9 | 6S | 49.9 | - | - |
| 6 | | 1-284745-2 | I | - | - | 6D Δ | - | 4D | 29.9 | RED | - |

OBSOLETE Δ 5
 OBSOLETE Δ 5
 OBSOLETE Δ 5
 OBSOLETE Δ 5
 OBSOLETE Δ 5
 OBSOLETE Δ 5

| | | | | |
|---|--|---|--|--|
| THIS DRAWING IS A CONTROLLED DOCUMENT. | | DWN G. ENDRIZZI 23JUL1995 | TE Connectivity MONO-SHAPE MK I TAB CONNECTORS 2-10 POS. | |
| DIMENSIONS: mm | | CHK G. TURCO 23JUL1995 | | |
| TOLERANCES UNLESS OTHERWISE SPECIFIED: | | APVD G. TURCO 23JUL1995 | NAME | |
| 0 PLC \pm 1 PLC \pm 2 PLC \pm 3 PLC \pm 4 PLC \pm ANGLES \pm | | PRODUCT SPEC 108-200065-1, 108-200065-2 | SIZE CAGE CODE DRAWING NO | |
| MATERIAL FINISH | | APPLICATION SPEC 114-20016, 114-20016-1 | RESTRICTED TO | |
| SEE TABLE | | WEIGHT - | A260779C-282002 | |
| SEE TABLE | | CUSTOMER DRAWING | SCALE NO SHEET 3 OF 3 REV AA7 | |