



Chipsmall Limited consists of a professional team with an average of over 10 year of expertise in the distribution of electronic components. Based in Hongkong, we have already established firm and mutual-benefit business relationships with customers from,Europe,America and south Asia,supplying obsolete and hard-to-find components to meet their specific needs.

With the principle of “Quality Parts,Customers Priority,Honest Operation,and Considerate Service”,our business mainly focus on the distribution of electronic components. Line cards we deal with include Microchip,ALPS,ROHM,Xilinx,Pulse,ON,Everlight and Freescale. Main products comprise IC,Modules,Potentiometer,IC Socket,Relay,Connector.Our parts cover such applications as commercial,industrial, and automotives areas.

We are looking forward to setting up business relationship with you and hope to provide you with the best service and solution. Let us make a better world for our industry!



Contact us

Tel: +86-755-8981 8866 Fax: +86-755-8427 6832

Email & Skype: info@chipsmall.com Web: www.chipsmall.com

Address: A1208, Overseas Decoration Building, #122 Zhenhua RD., Futian, Shenzhen, China



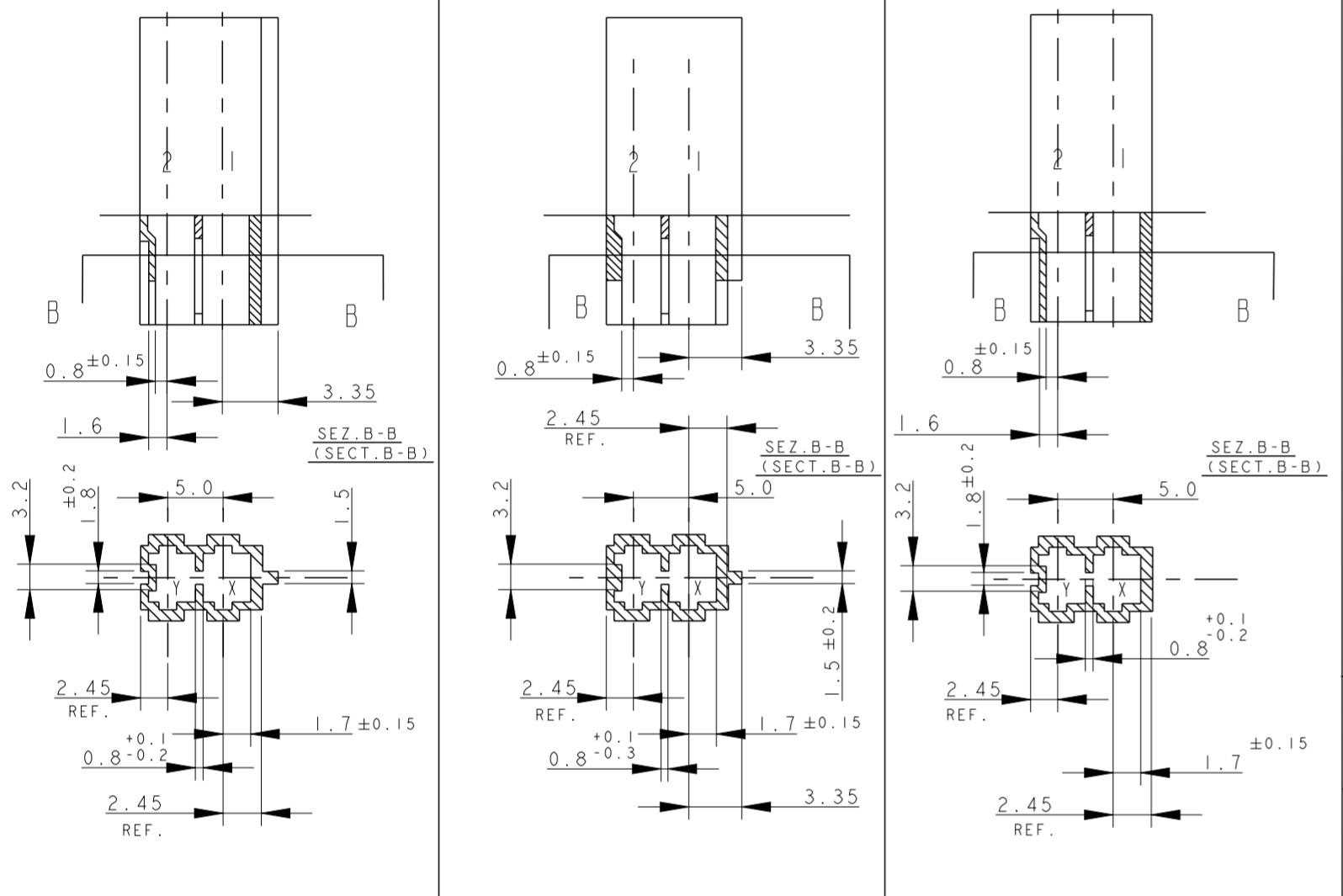
THIS DRAWING IS UNPUBLISHED. RELEASED FOR PUBLICATION
 © COPYRIGHT copy right. dBTe - ALL RIGHTS RESERVED.

LOC		DIST		REVISIONS			
P	LTR	DESCRIPTION		DATE	DWN	APVD	
Z15	ECR-16-018076			16JAN2017	I Z	RR	
Z16	ECR-17-005053			20APR2017	I Z	RR	

RAPPRESENTAZIONE GRAFICA DEI P/Ns: (GRAPHICAL REPRESENTATION OF P/Ns:)
 x-282042-1

RAPPRESENTAZIONE GRAFICA DEI P/Ns: (GRAPHICAL REPRESENTATION OF P/Ns:)
 x-282042-2

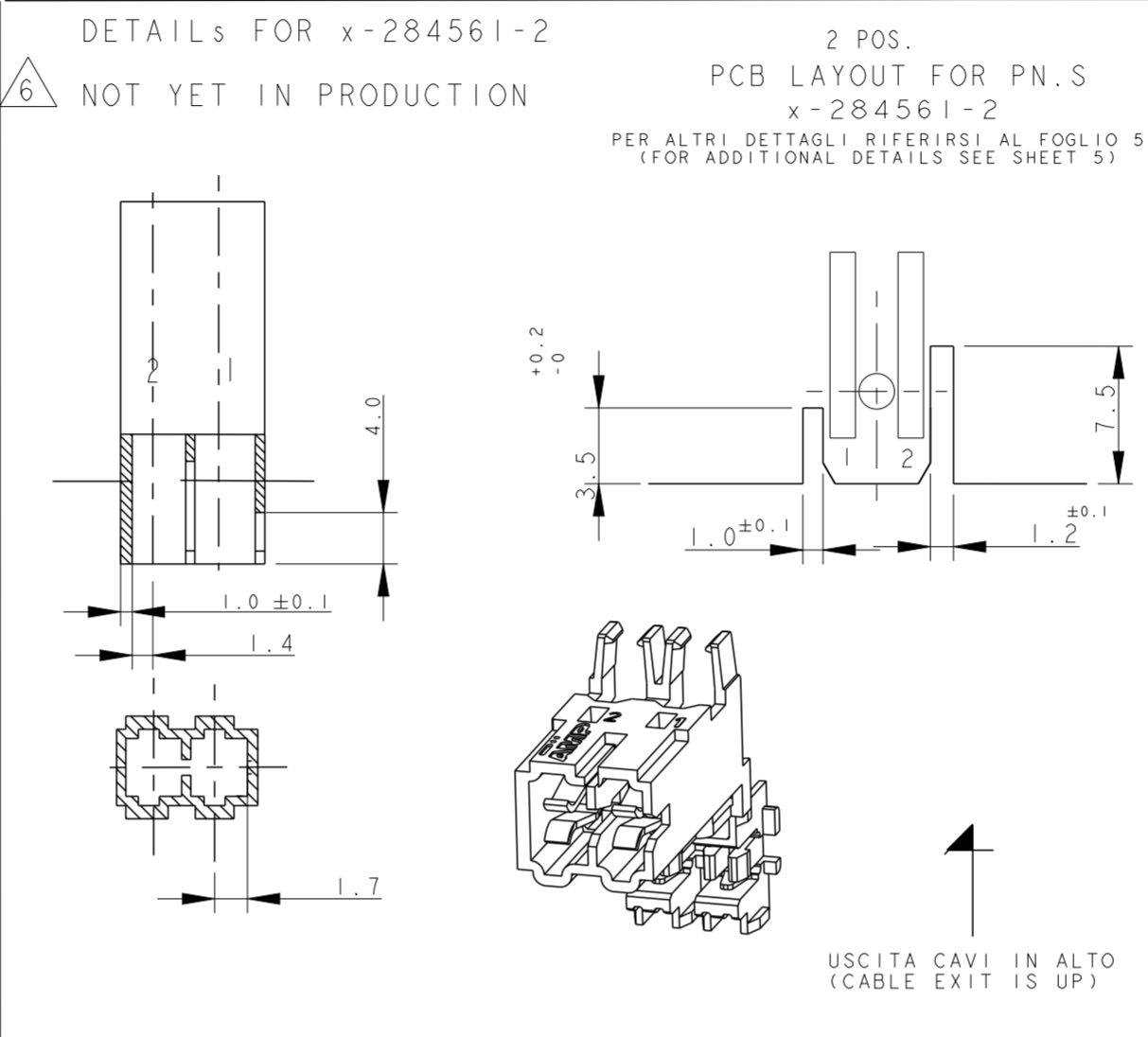
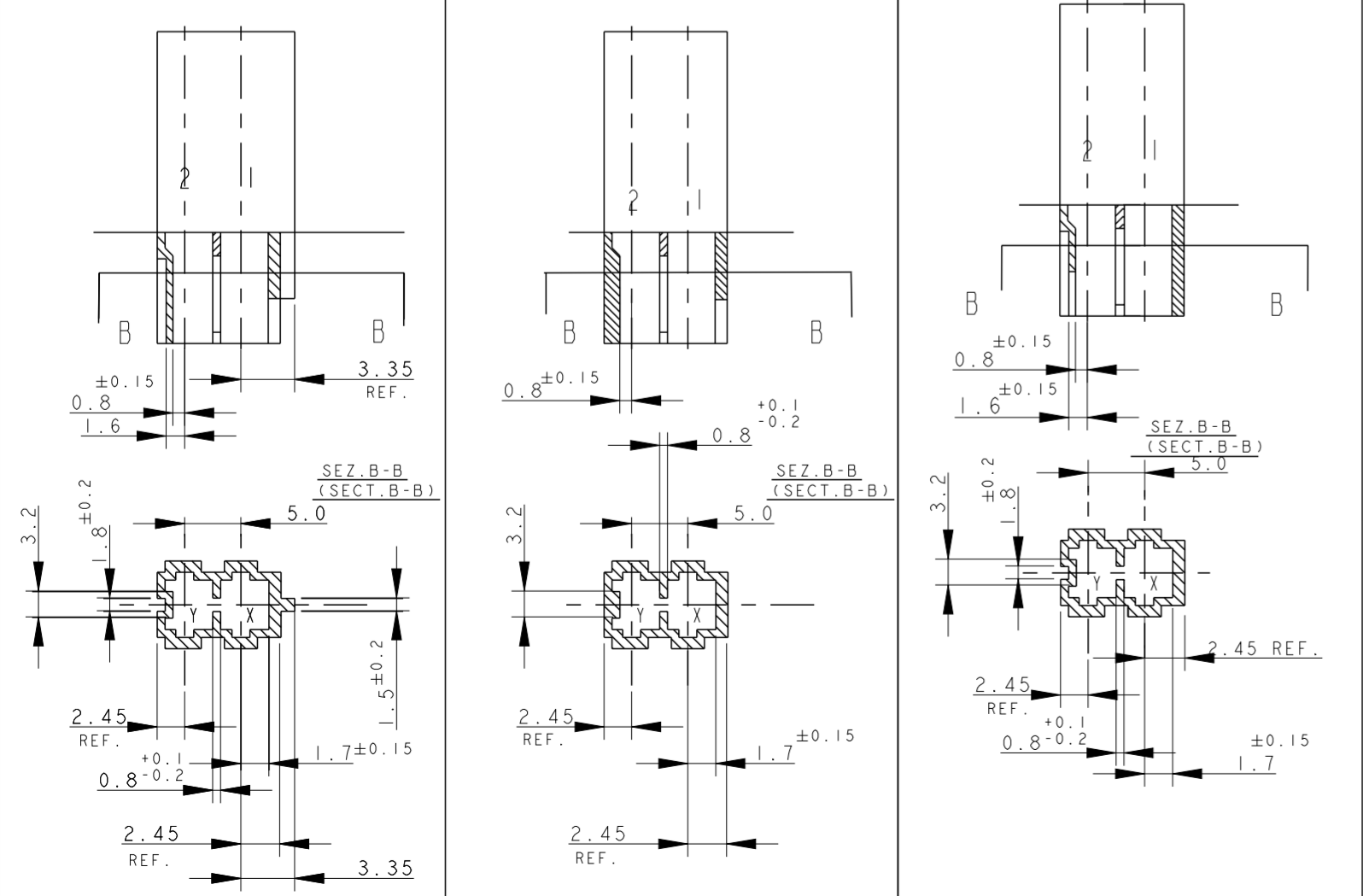
RAPPRESENTAZIONE GRAFICA DEI P/Ns: (GRAPHICAL REPRESENTATION OF P/Ns:)
 x-282042-3 & x-2293372-2 & x-2298752-2



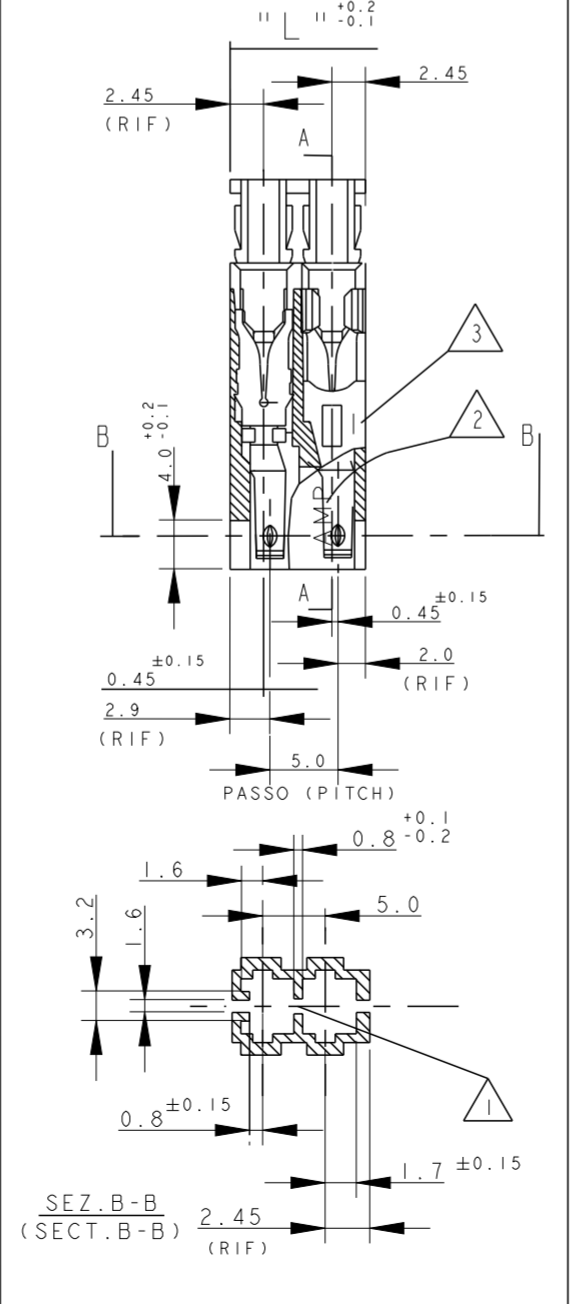
RAPPRESENTAZIONE GRAFICA DEI P/Ns: (GRAPHICAL REPRESENTATION OF P/Ns:)
 x-282042-4

RAPPRESENTAZIONE GRAFICA DEI P/Ns: (GRAPHICAL REPRESENTATION OF P/Ns:)
 x-282042-5

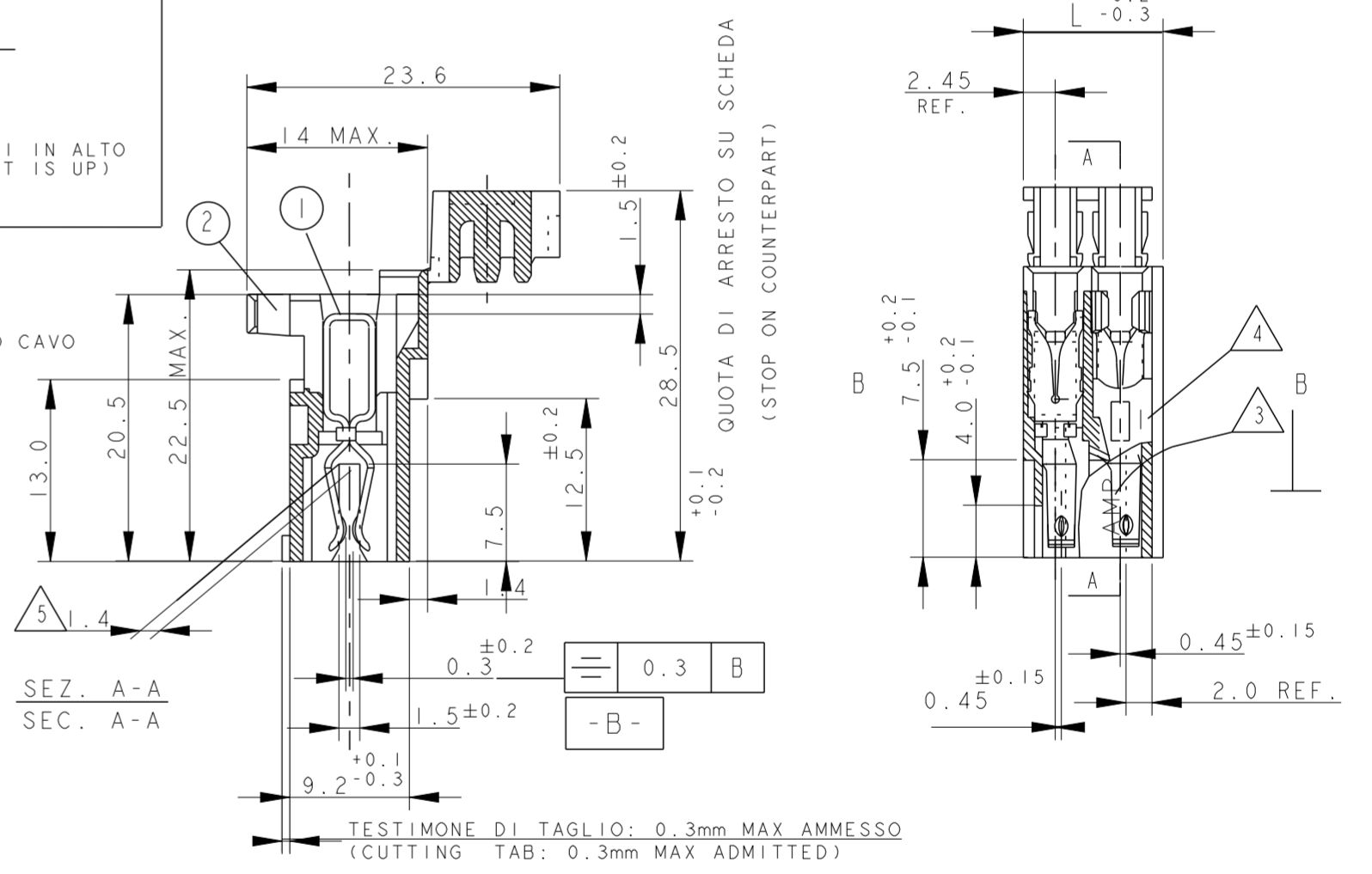
RAPPRESENTAZIONE GRAFICA DEI P/Ns: (GRAPHICAL REPRESENTATION OF P/Ns:)
 x-282042-6



RAPPRESENTAZIONE GRAFICA DEI P/Ns: (GRAPHICAL REPRESENTATION OF P/Ns:)
 x-284561-1



PIANO DI ARRESTO CAVO (CABLE STOP)



6) PN NOT YET RELEASED FOR PRODUCTION
 7) PER I NUMERI DI RIFERIMENTO DEI CONNETTORI VEDERE ULTIMO FOGLIO (FOR P/N/S SEE LAST SHEET)
 10) PER LE DIMENSIONI DELLE DIME DEL CIRCUITO STAMPATO VEDERE FOGLIO 5 (FOR PCB LAYOUT AND DIMENSIONS SEE SHEET 5)

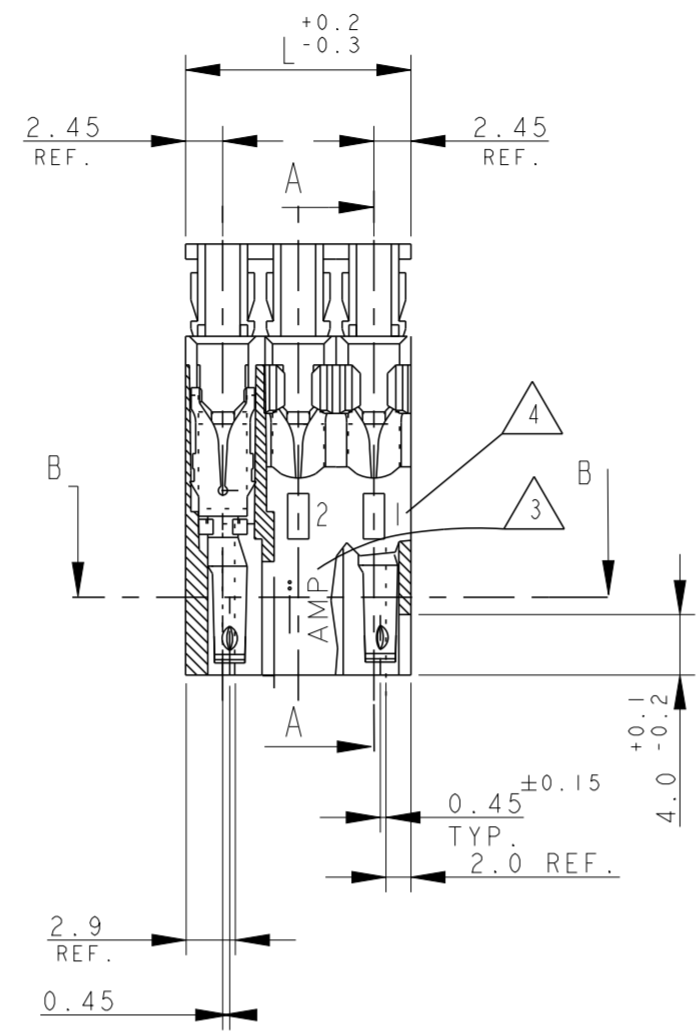
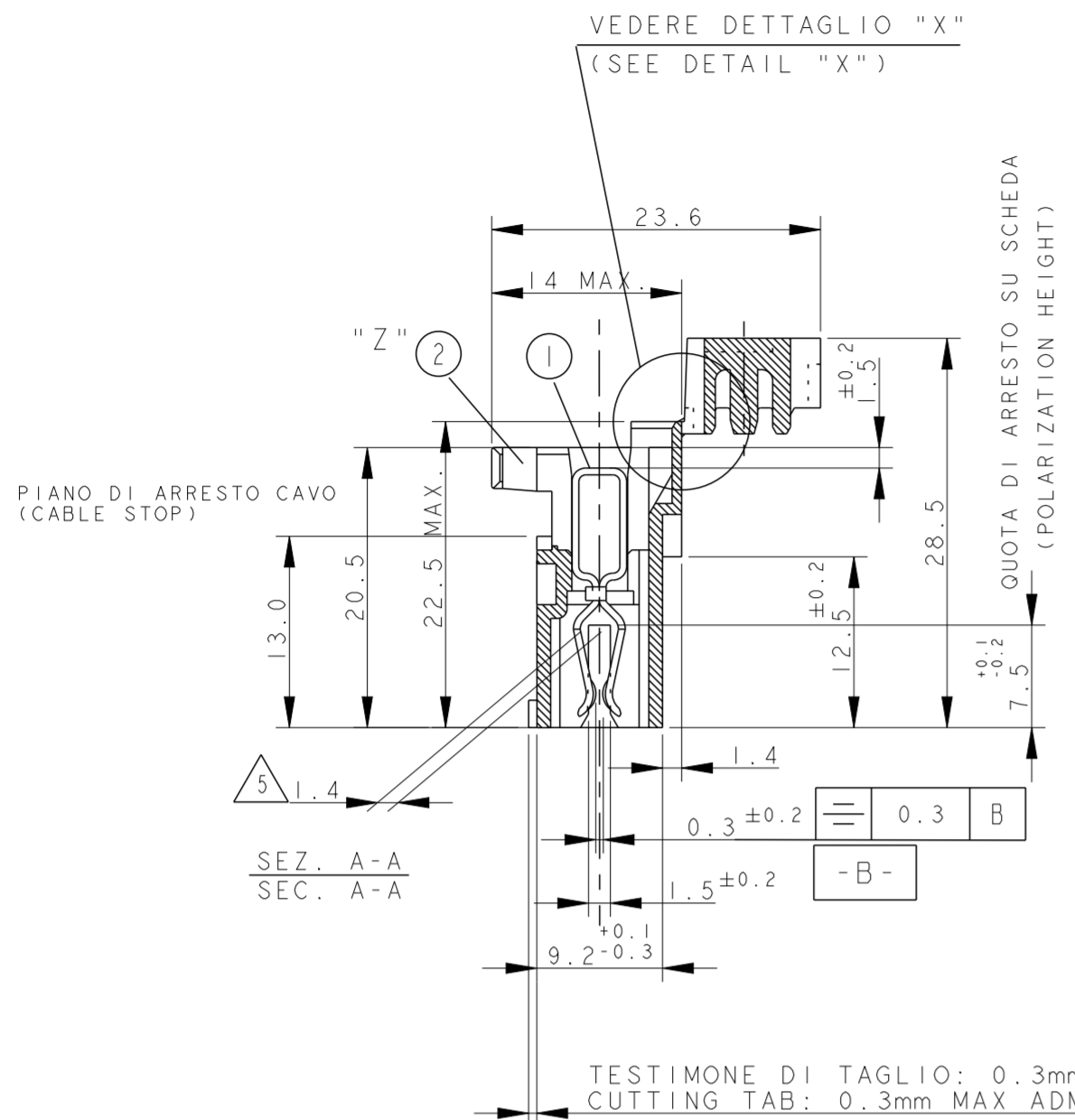
DIAM. ISOLANTE (INS. DIA. RANGE) 2.6 - 2.8
 RANGO FILO (WIRE RANGE) 0.5-0.75

THIS DRAWING IS A CONTROLLED DOCUMENT.		DWN C. CORDOLA 23JUL1996	TE Connectivity MONO-SHAPE, MK1 PCB CONNECTOR 2-12 POS.
DIMENSIONS: mm		CHK G. TURCO 23JUL1996	
TOLERANCES UNLESS OTHERWISE SPECIFIED:		APVD G. TURCO 23JUL1996	
0 PLC ± 1 PLC ± 0.3 2 PLC ± 3 PLC ± 4 PLC ± ANGLES ±°		PRODUCT SPEC 108-20067	
MATERIAL CONNETTORE NYLON (CONNECTOR NYLON) CONTATTO OTTONE (CONTACT BRASS)		FINISH STAGNATO (TIN PLATED)	APPLICATION SPEC 114-20018
WEIGHT -		Customer Drawing	RESTRICTED TO -

SIZE A2	CAGE CODE 1	DRAWING NO. C-282042	RESTRICTED TO -
SCALE 2:1	SHEET 1	OF 9	REV. Z16

THIS DRAWING IS UNPUBLISHED. RELEASED FOR PUBLICATION
 © COPYRIGHT copyright.dBTe- ALL RIGHTS RESERVED.

LOC		DIST		REVISIONS			
P	LTR	DESCRIPTION	DATE	DWN	APVD		
		SEE SHEET 1					

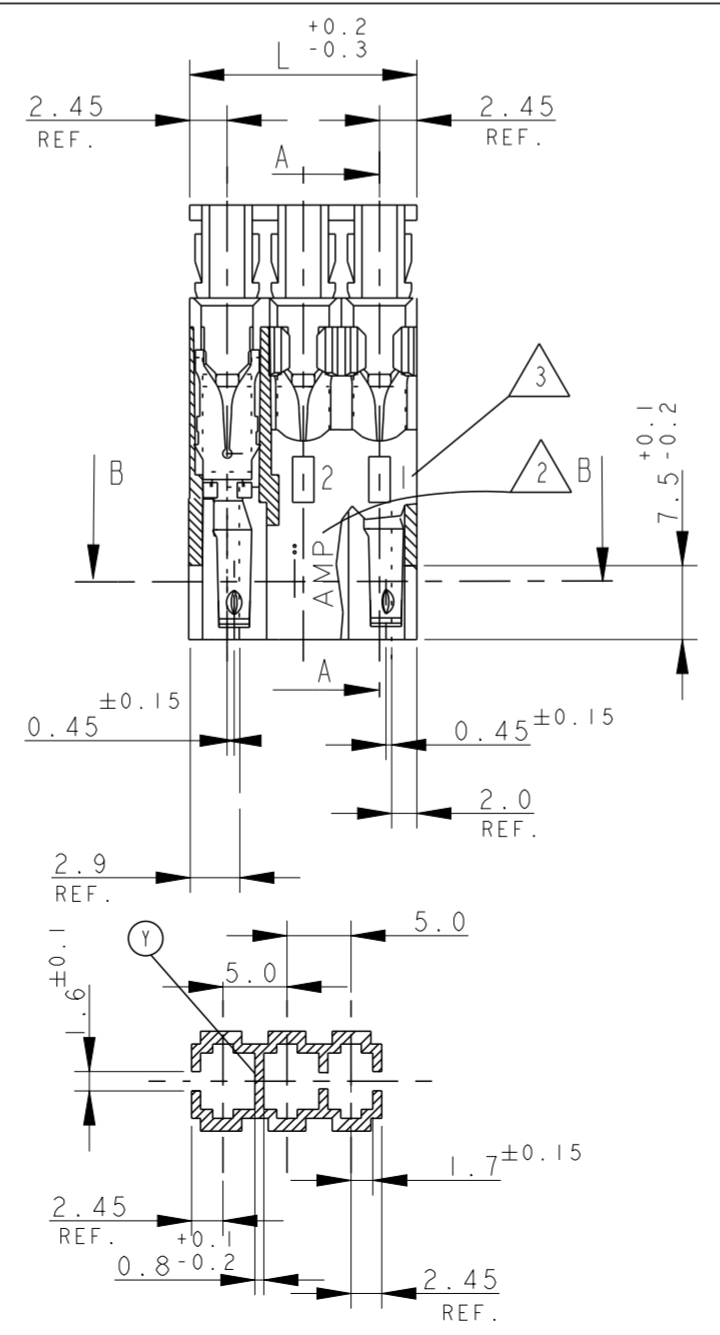
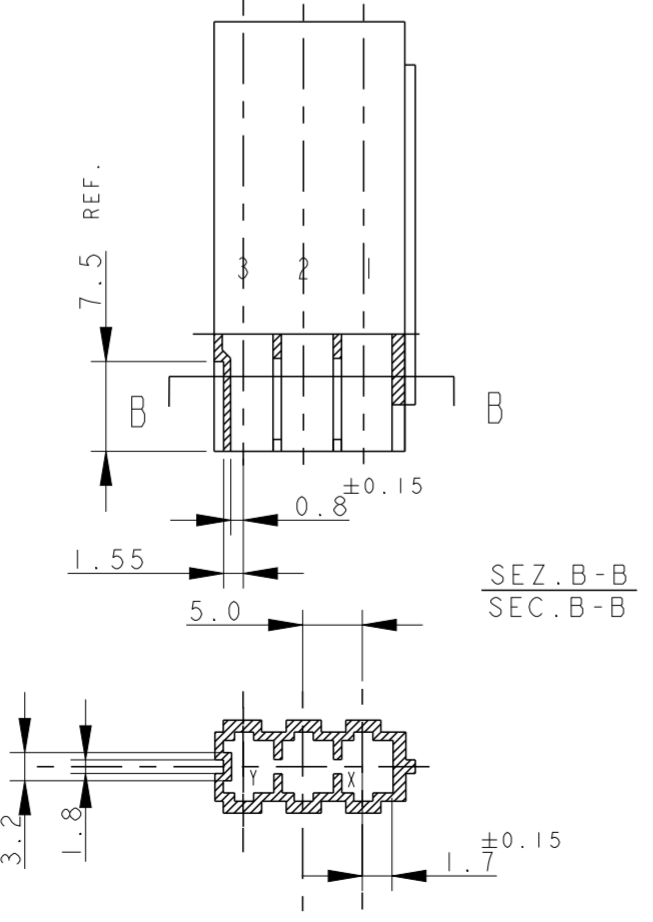
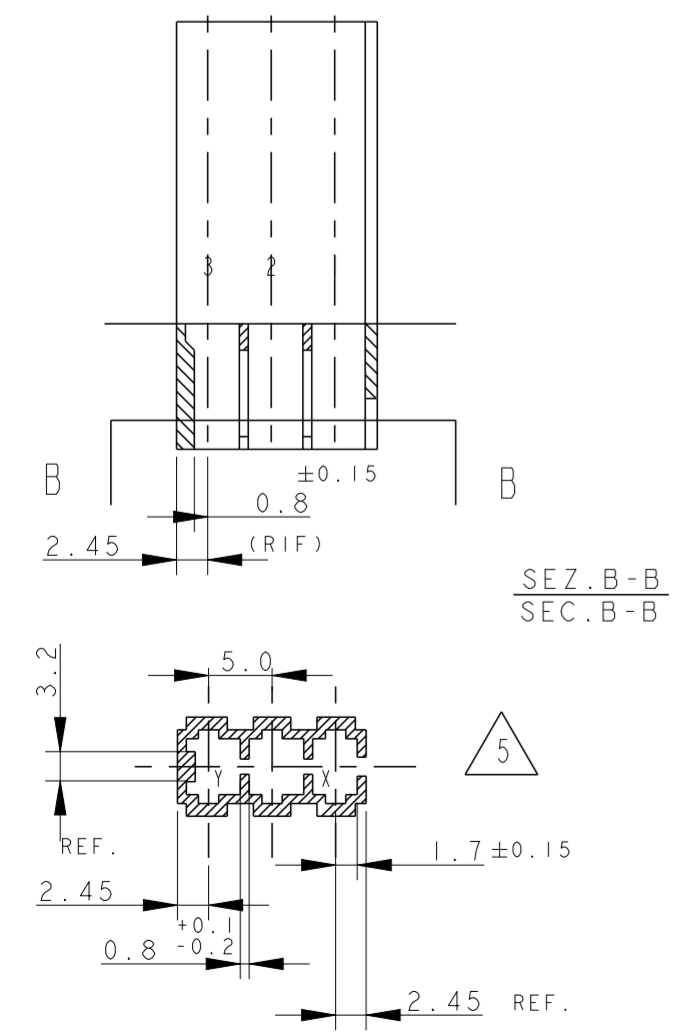


USCITA CAVI IN ALTO
(CABLE EXIT IS UP)

RAPPRESENTAZIONE GRAFICA DEI P/Ns:
(GRAPHICAL REPRESENTATION OF P/Ns:)
x-284546-1

RAPPRESENTAZIONE GRAFICA DEI P/Ns:
(GRAPHICAL REPRESENTATION OF P/Ns:)
x-282043-2 and x-282043-3

RAPPRESENTAZIONE GRAFICA DEI P/Ns:
(GRAPHICAL REPRESENTATION OF P/Ns:)
x-282235-2 and x-282235-3



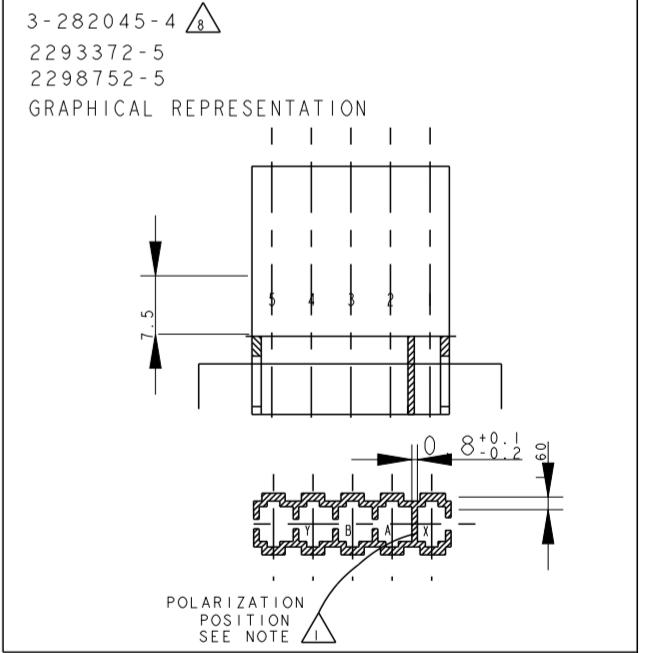
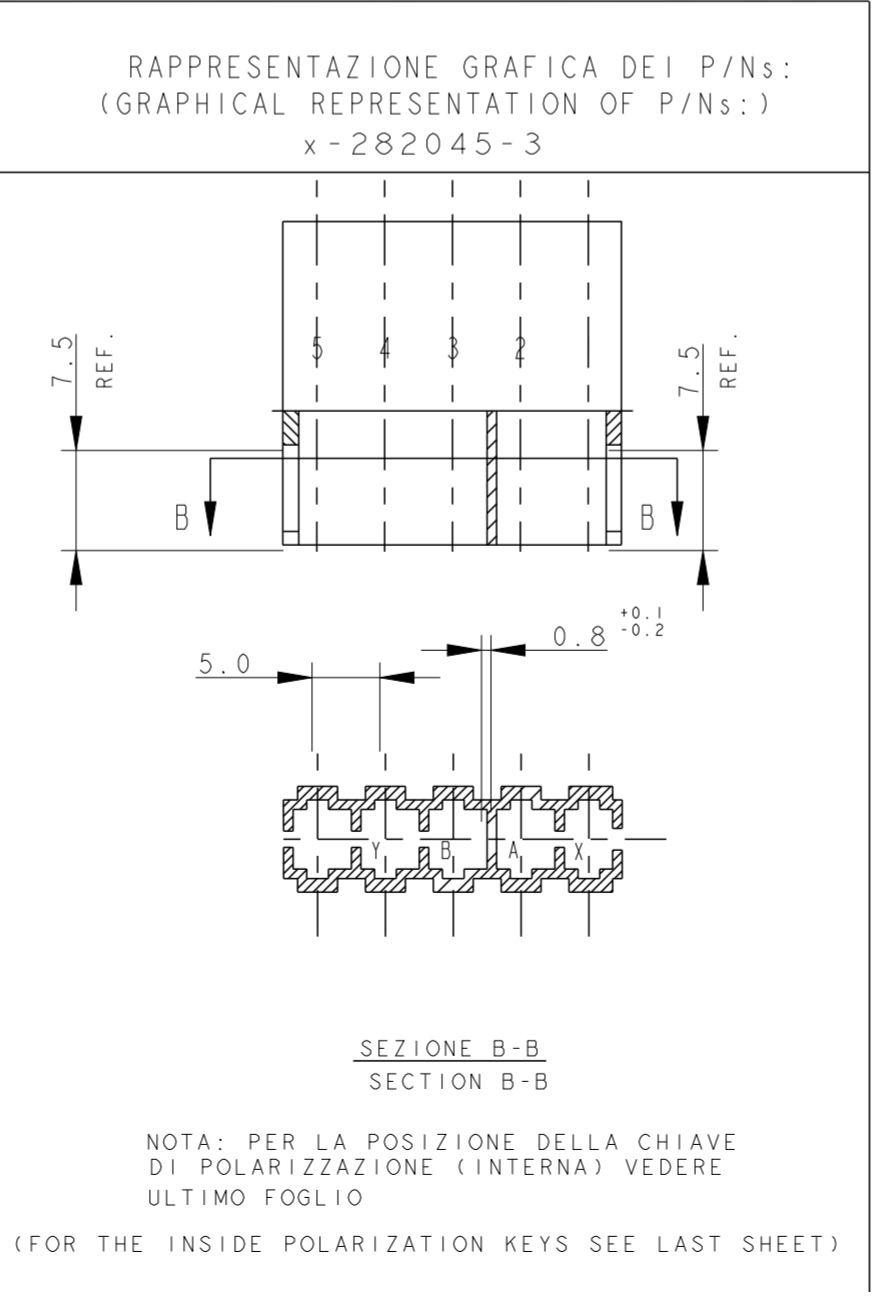
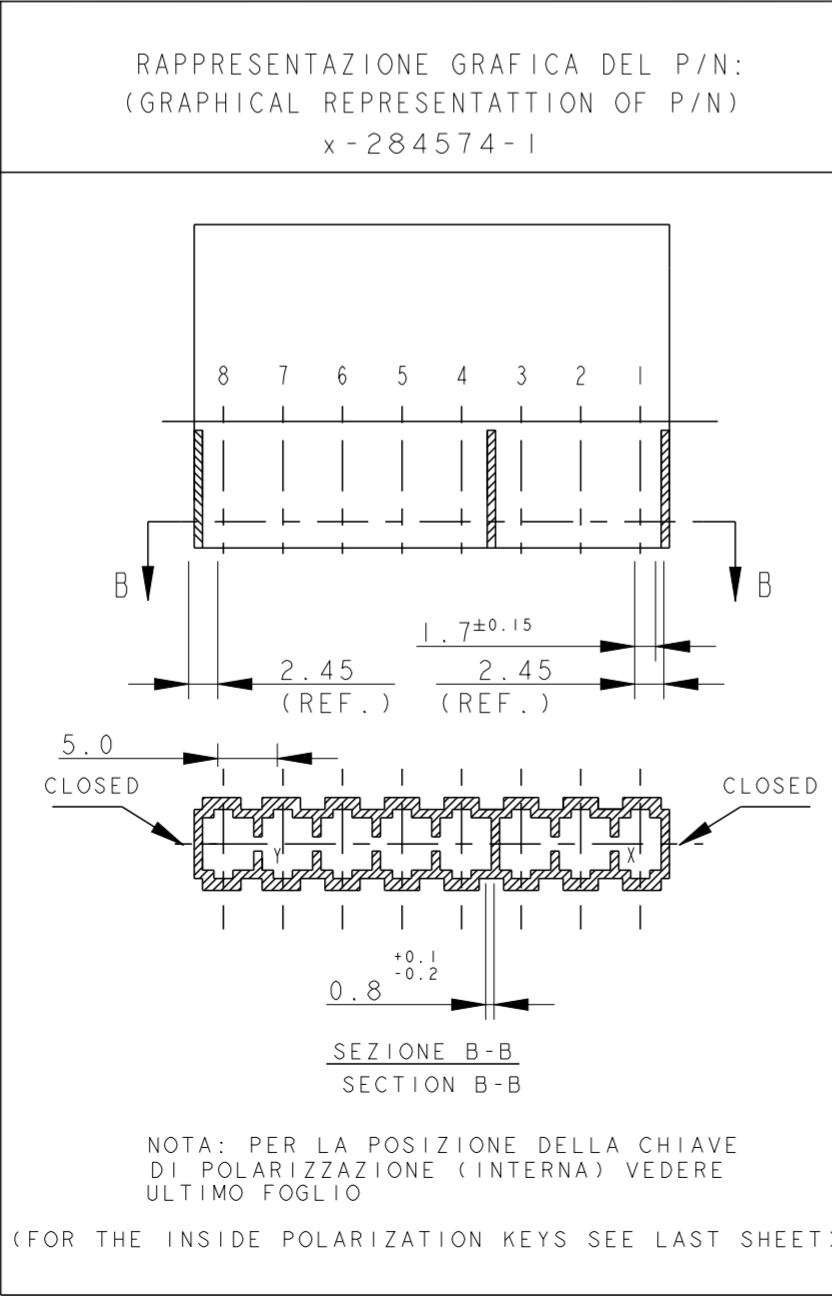
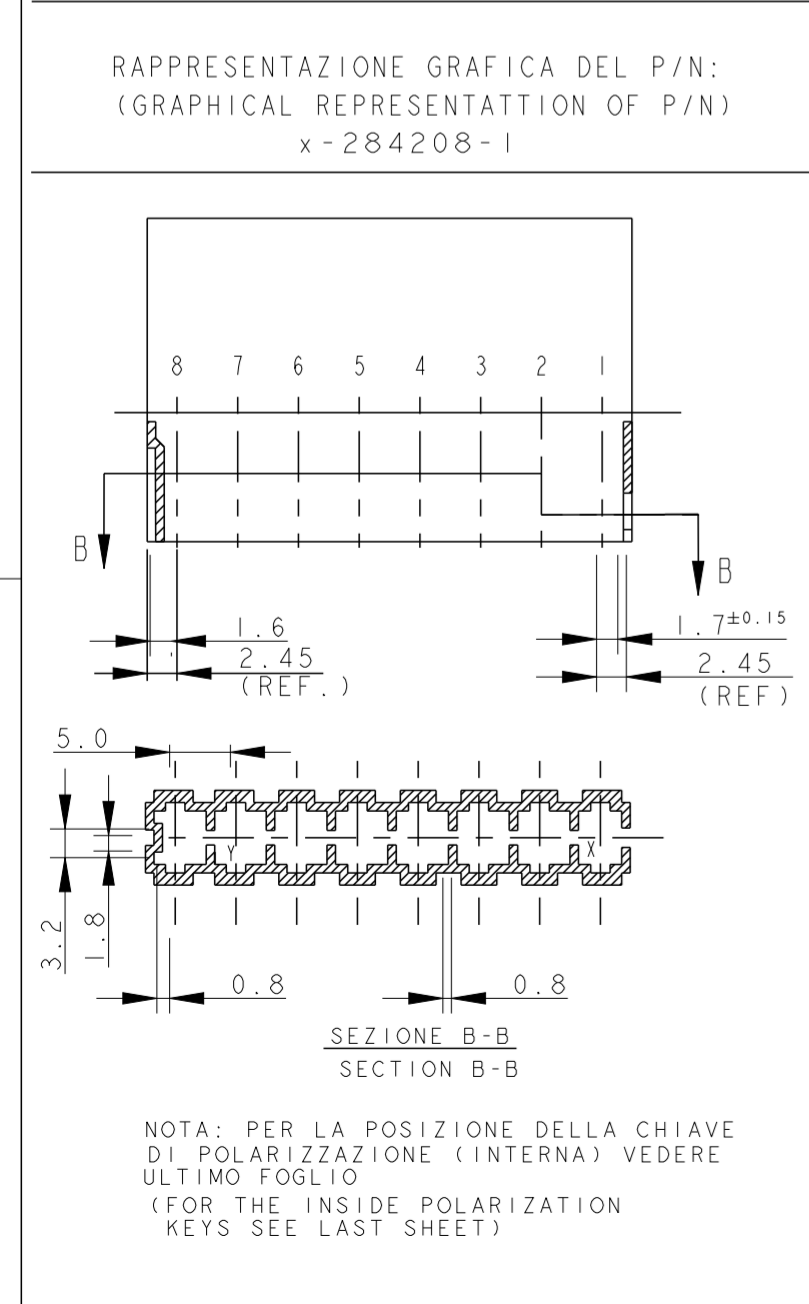
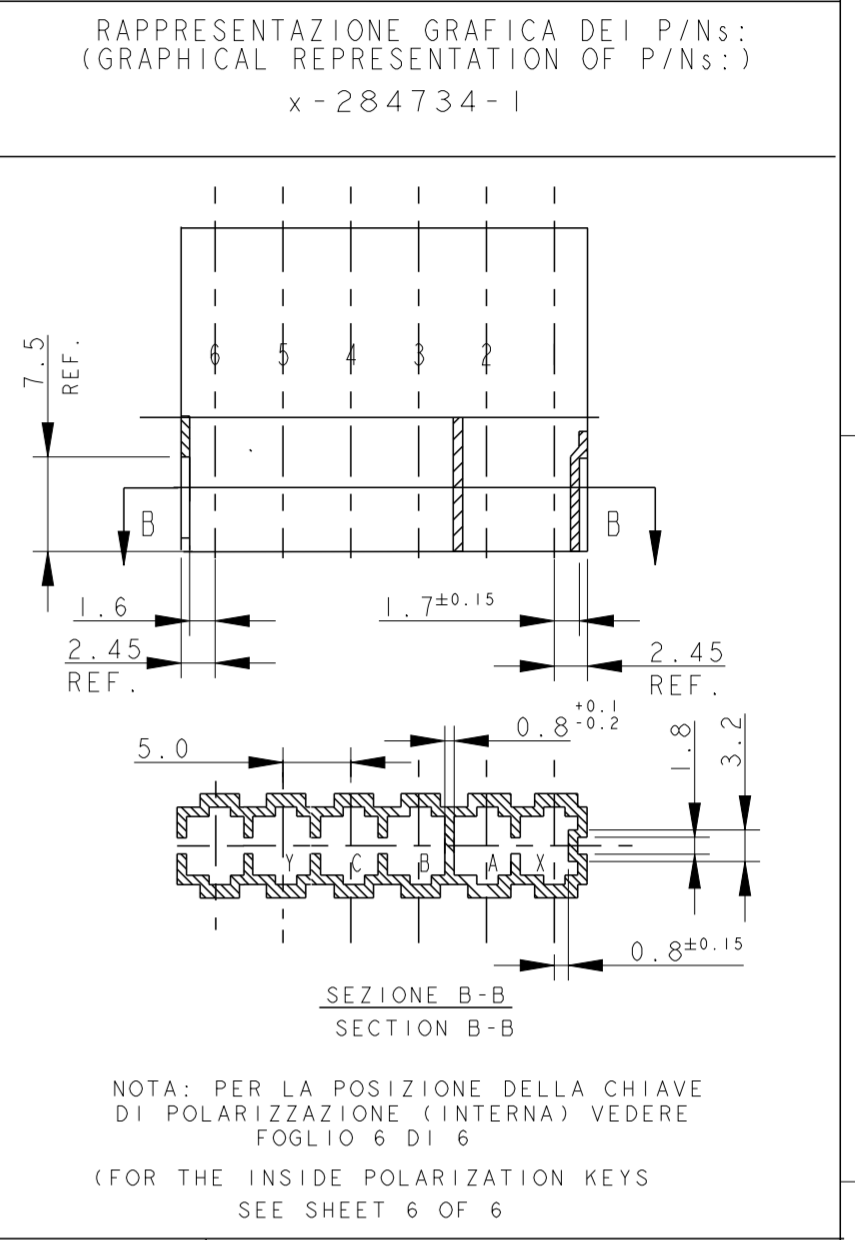
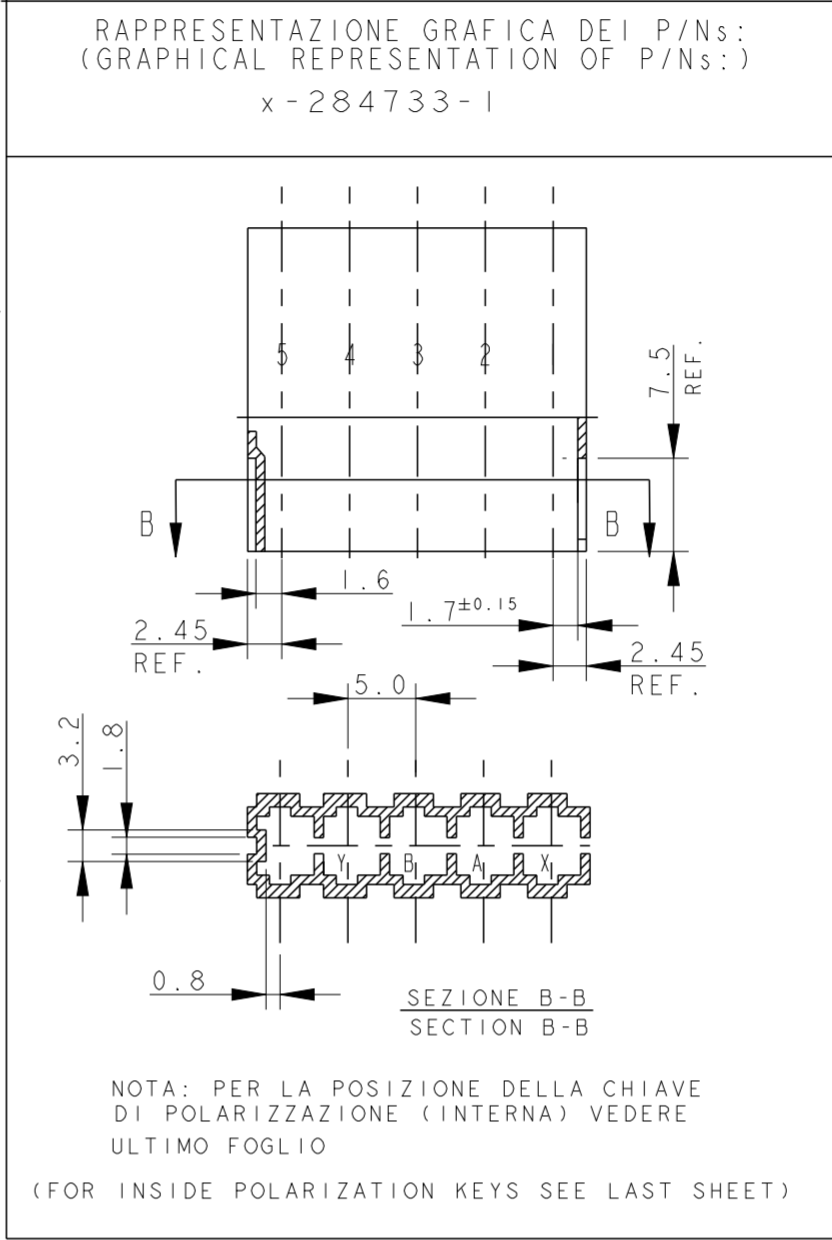
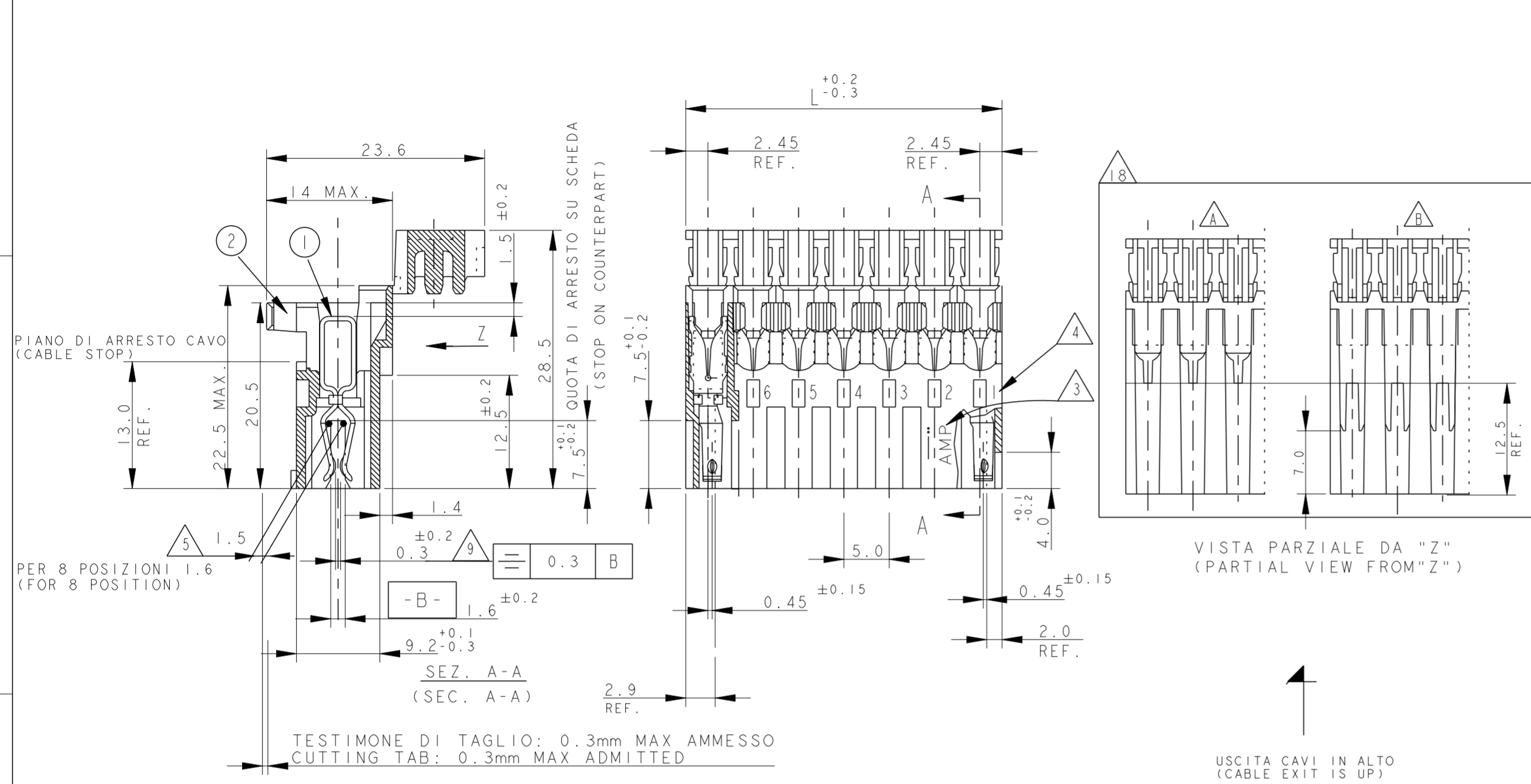
7) PER I NUMERI DI RIFERIMENTO DEI CONNETTORI VEDERE ULTIMO FOGLIO (FOR PN/S SEE LAST SHEET)

10) PER LE DIMENSIONI DELLE DIME DEL CIRCUITO STAMPATO VEDERE FOGLIO 5 (FOR PCB LAYOUT AND DIMENSIONS SEE SHEET 5)

THIS DRAWING IS A CONTROLLED DOCUMENT.		DWN C. CORDOLA 23JUL1996	 TE Connectivity	NAME	
DIMENSIONS: mm		CHK G. TURCO 23JUL1996		MONO-SHAPE, MK1 PCB CONNECTOR 2-12 POS.	
TOLERANCES UNLESS OTHERWISE SPECIFIED: 0 PLC ± 1 PLC ± 2 PLC ± 0.3 3 PLC ± 4 PLC ±		APVD G. TURCO 23JUL1996		APPLICATION SPEC 108-20067	
MATERIAL CONNETTORE NYLON (CONNECTOR NYLON) CONTATTO OTTONE (CONTACT BRASS)		FINISH STAGNATO (TIN PLATED)		PRODUCT SPEC 114-20018	RESTRICTED TO
		SIZE A2	CAGE CODE 1	DRAWING NO G-282042	SCALE NO
		WEIGHT -	SHEET 2	OF 9	REV Z16
		Customer Drawing			

THIS DRAWING IS UNPUBLISHED. RELEASED FOR PUBLICATION
 © COPYRIGHT copyright.d8re- ALL RIGHTS RESERVED.

LOC		DIST		REVISIONS			
P	LTR	DESCRIPTION	DATE	DWN	APVD		
		SEE SHEET 1					



7) PER I NUMERI DI RIFERIMENTO DEI CONNETTORI VEDERE ULTIMO FOGLIO (FOR P/Ns SEE LAST SHEET)



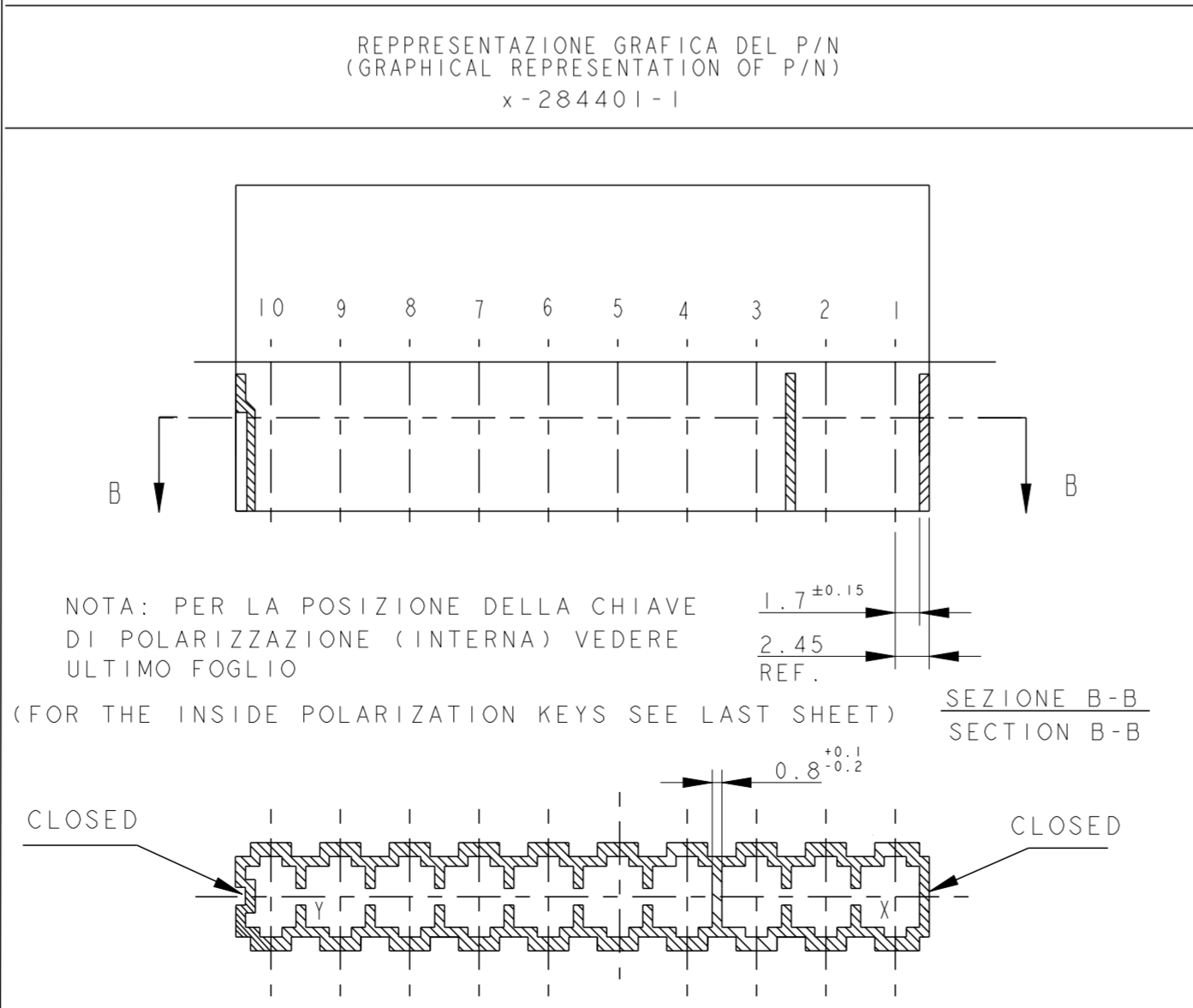
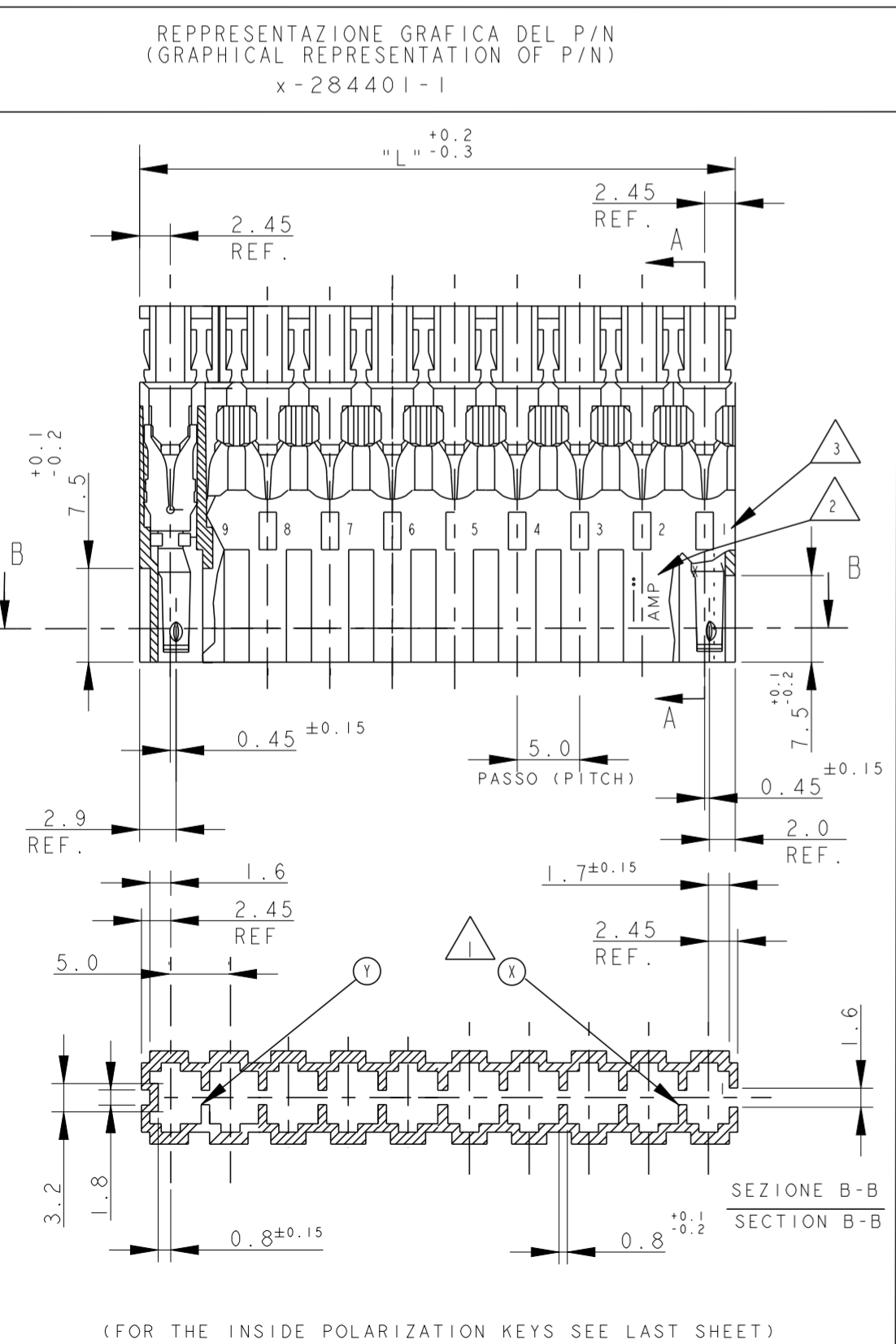
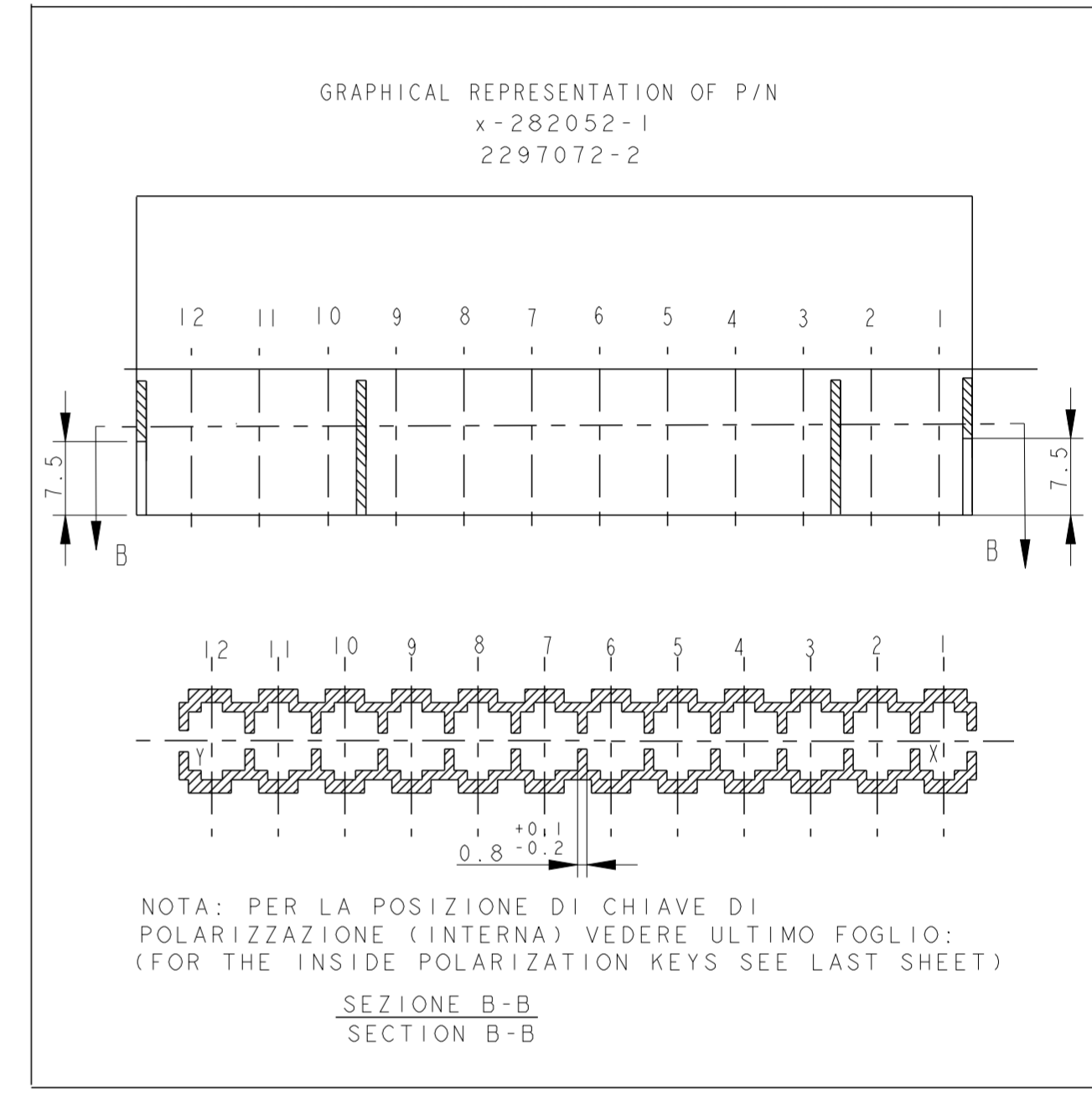
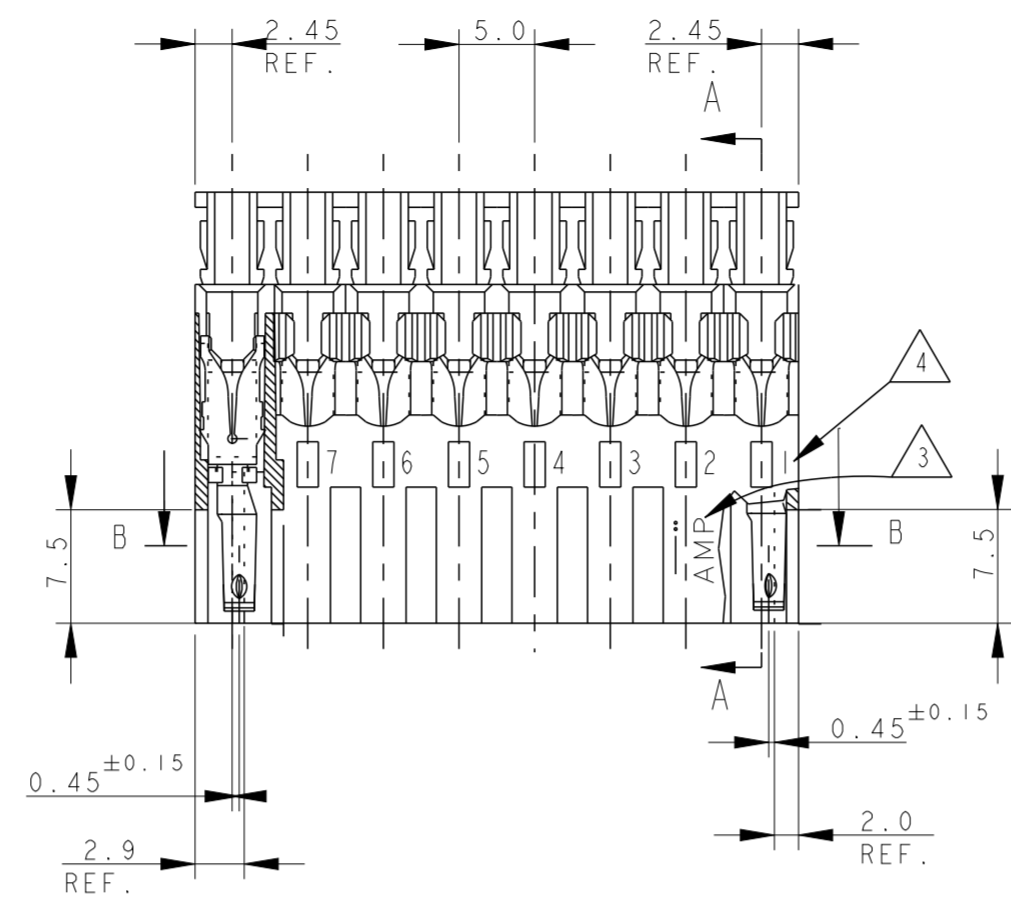
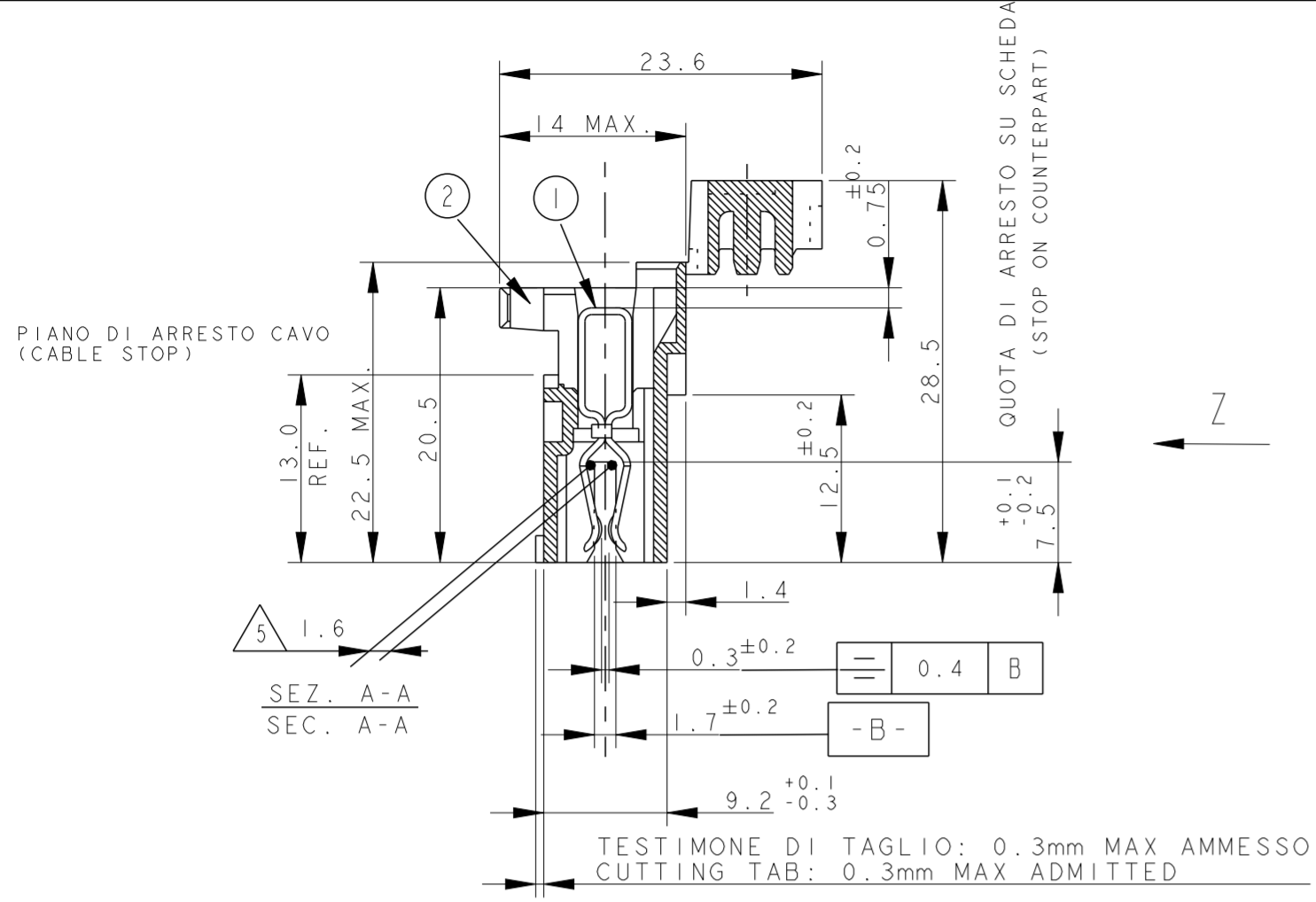
10) PER LE DIMENSIONI DELLE DIME DEL CIRCUITO STAMPATO VEDERE FOGLIO 5 (FOR PCB LAYOUT AND DIMENSIONS SEE SHEET 5)

PROFILO "A" E' VALIDO PER OGNI CONFIGURAZIONE, PROFILO "B" E' AMMESSO SOLO PER I PN IDENTIFICATI IN TABELLA DALLA PRESENTE NOTA (SHAPE "A" VALID FOR EACH CONFIGURATION, SHAPE "B" IS PERMITTED ONLY ON PN WHERE THIS NOTE IS SHOWN ON RELEVANT DRAWING TABLE)

THIS DRAWING IS A CONTROLLED DOCUMENT.		DWN C.CORDOLA 23JUL1996	TE Connectivity MONO-SHAPE, MK1 PCB CONNECTOR 2-12 POS.	
DIMENSIONS: mm		CHK G.TURCO 23JUL1996		
TOLERANCES UNLESS OTHERWISE SPECIFIED:		APVD G.TURCO 23JUL1996	NAME	
0 PLC ±	0.3	PRODUCT SPEC		
1 PLC ±		108-20067		
2 PLC ±		APPLICATION SPEC		
3 PLC ±		114-20018		
4 PLC ±	±2°	WEIGHT		
ANGLES		-		
MATERIAL CONNETTORE NYLON (CONNECTOR NYLON) CONTATTO OTTONE (CONTACT BRASS)		FINISH STAGNATO (TIN PLATED)		RESTRICTED TO
		Customer Drawing		SCALE 2:1 SHEET 3 OF 9 REV 16

THIS DRAWING IS UNPUBLISHED. RELEASED FOR PUBLICATION
 © COPYRIGHT copyright_dbfe- ALL RIGHTS RESERVED.

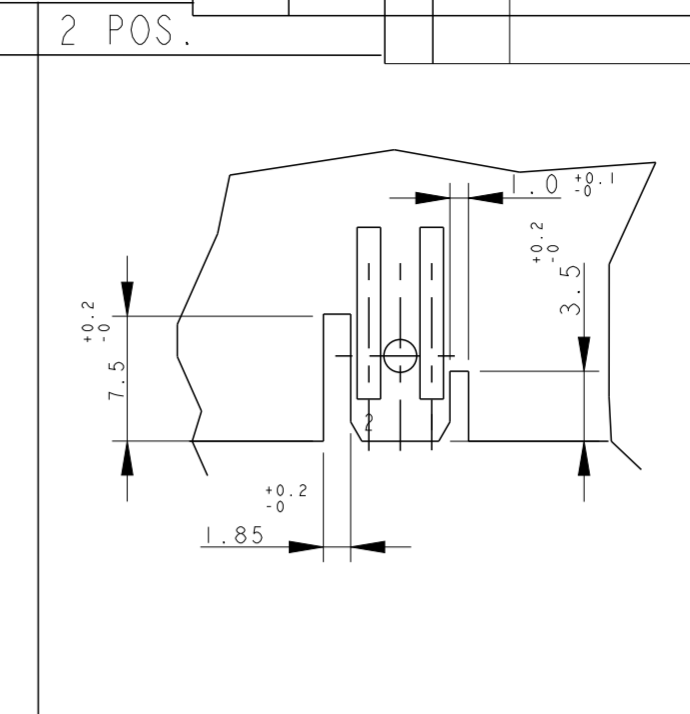
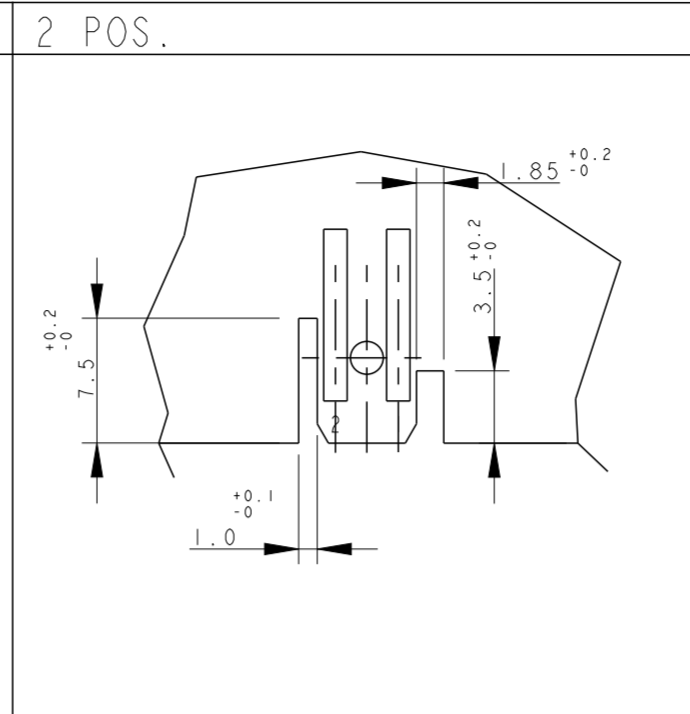
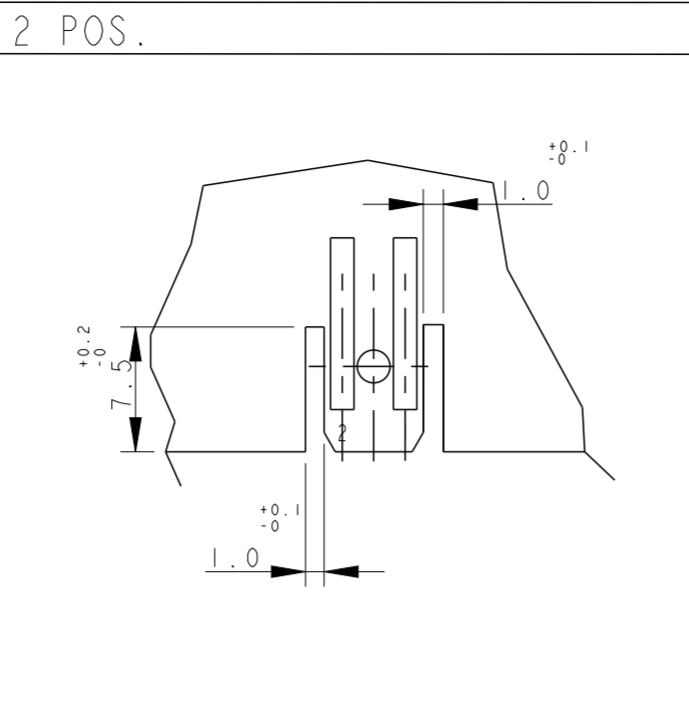
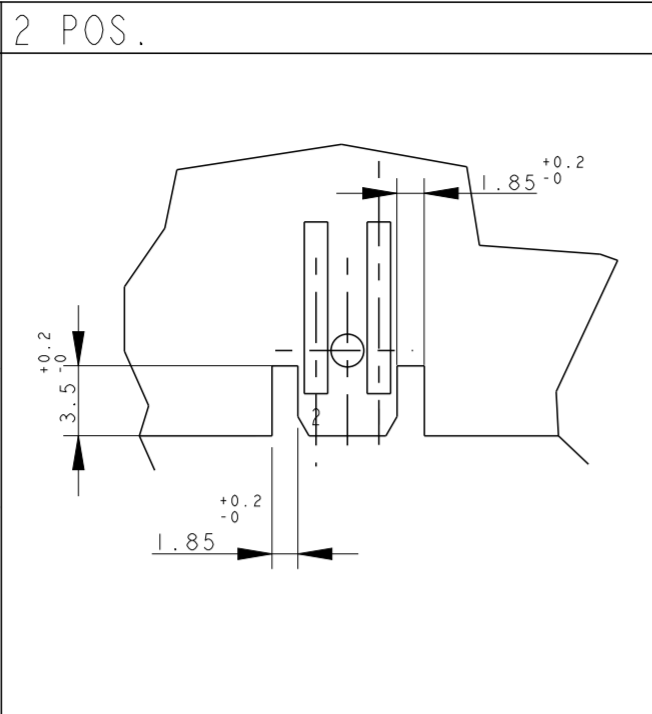
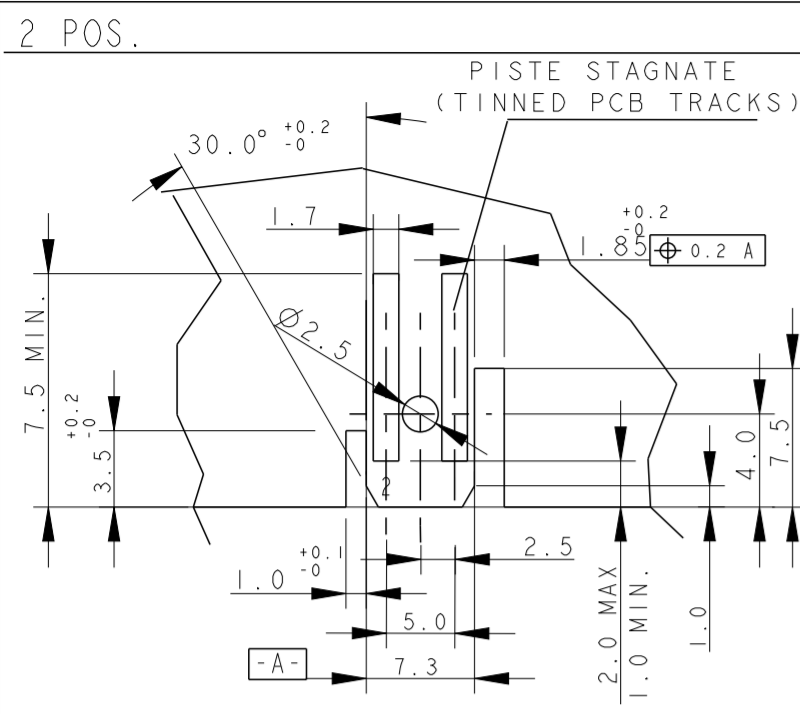
LOC		DIST		REVISIONS			
P	LTR	DESCRIPTION	DATE	DWN	APVD		
		SEE SHEET 1					



THIS DRAWING IS A CONTROLLED DOCUMENT.		DWN C. CORDOLA 23JUL1996	 TE Connectivity	NAME	
DIMENSIONS: mm		CHK G. TURCO 23JUL1996		MONO-SHAPE, MK1 PCB CONNECTOR 2-12 POS.	
TOLERANCES UNLESS OTHERWISE SPECIFIED:		APVD G. TURCO 23JUL1996	PRODUCT SPEC		
0 PLC ±		108-20067	APPLICATION SPEC		
1 PLC ± 0.3		114-20018	DRAWING NO		
2 PLC ±			RESTRICTED TO		
3 PLC ±			SIZE		
4 PLC ±			CAGE CODE		
ANGLES ±2°			DRAWING NO		
MATERIAL CONNETTORE NYLON (CONNECTOR NYLON) CONTATTO OTTONE (CONTACT BRASS)		FINISH STAGNATO (TIN PLATED)	WEIGHT		
			A2		
			1		
			G-282042		
			SCALE 2:1		
			SHEET 4 OF 9		
			REV Z16		

THIS DRAWING IS UNPUBLISHED. RELEASED FOR PUBLICATION
 © COPYRIGHT copyright.d8Te- ALL RIGHTS RESERVED.

LOC		DIST		REVISIONS		
P	LTR	DESCRIPTION	DATE	DWN	APVD	
-	-	SEE SHEET 1				



DIMA DEL PCB PER PN (PCB LAYOUT FOR PN.S)
 x-282042-1

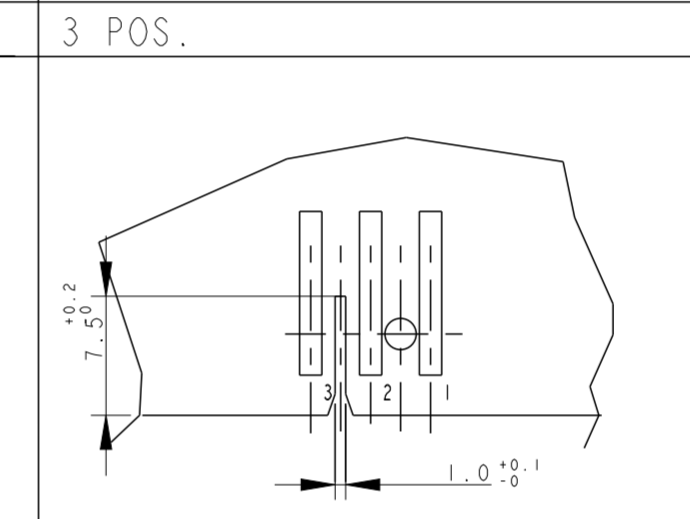
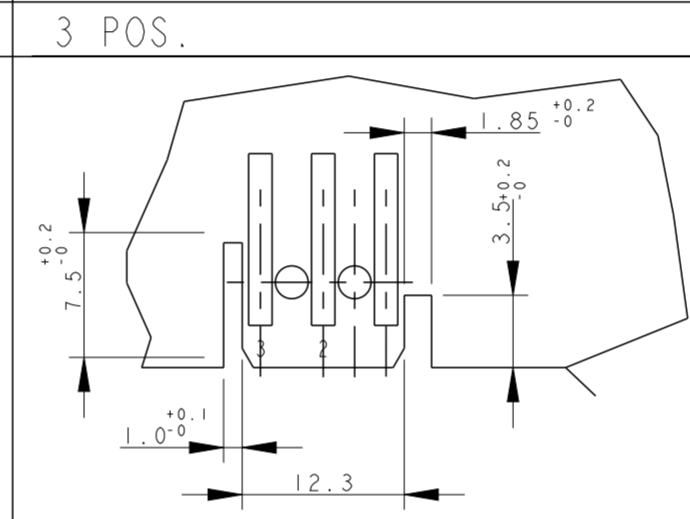
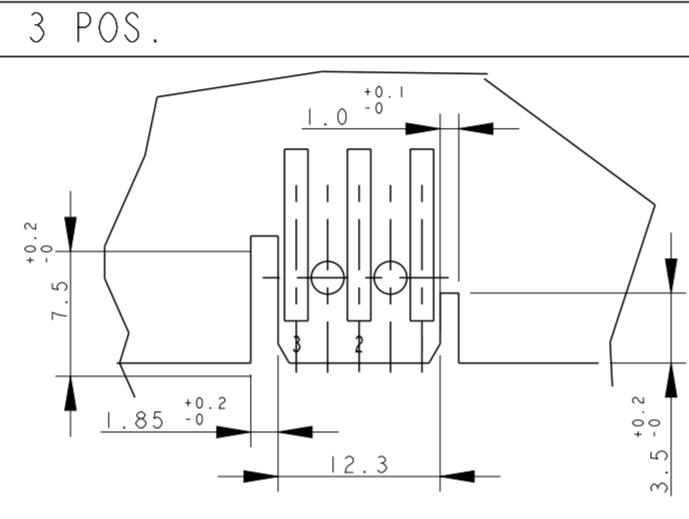
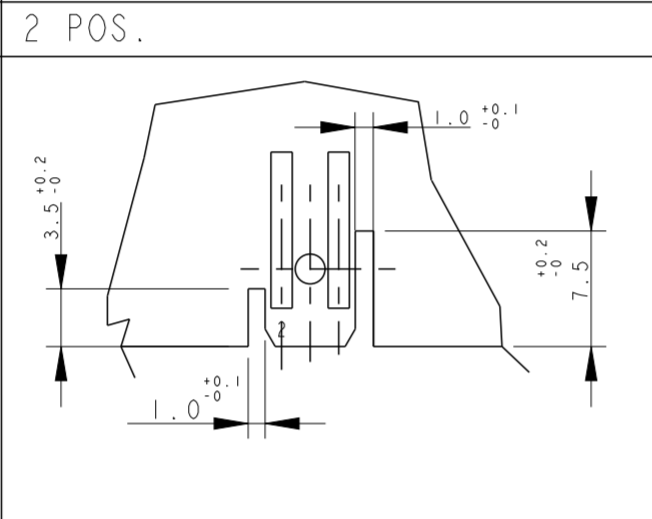
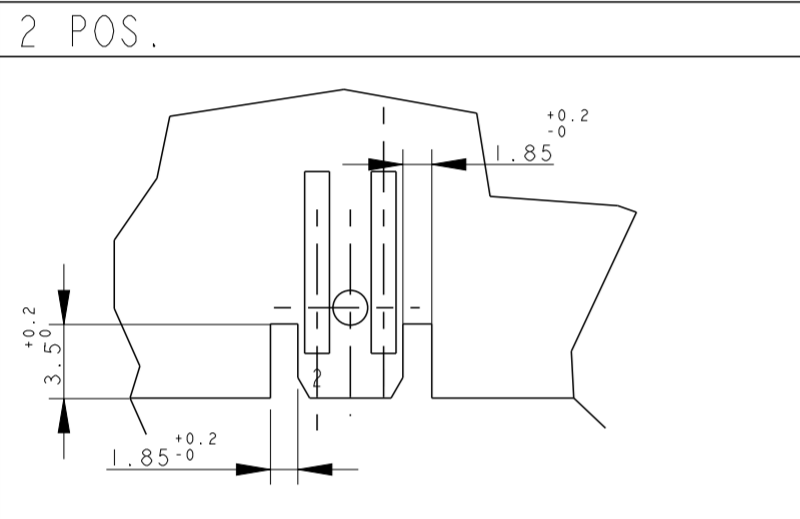
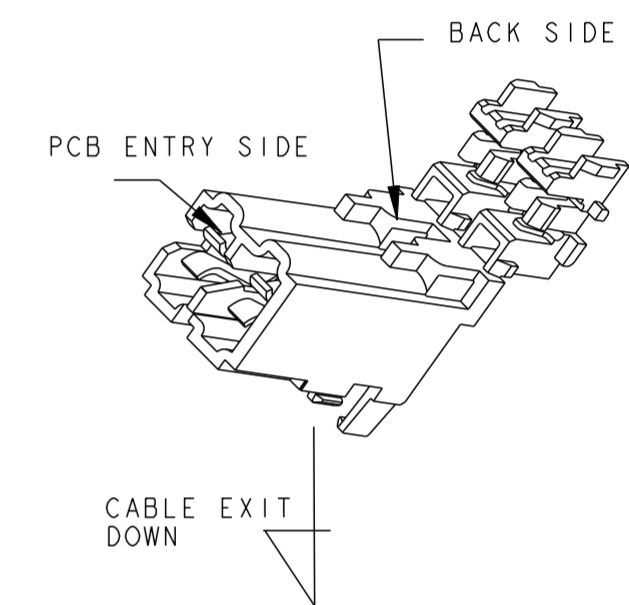
DIMA DEL PCB PER PN (PCB LAYOUT FOR PN.S)
 x-282042-2

DIMA DEL PCB PER PN (PCB LAYOUT FOR PN.S)
 x-282042-3 & x-2293372-2
 & x-2298752-2

DIMA DEL PCB PER PN (PCB LAYOUT FOR PN.S)
 x-282042-4

DIMA DEL PCB PER PN (PCB LAYOUT FOR PN.S)
 x-282042-5

CONNECTOR LAYOUT
 3D VIEW FOR REFERENCE TO SHOW THE CONNECTOR ORIENTATION RESPECT TO PCB CUT OUT DESIGN



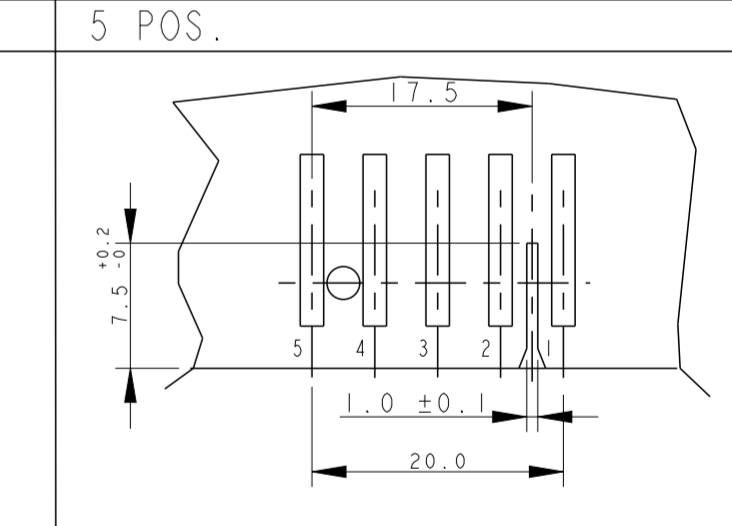
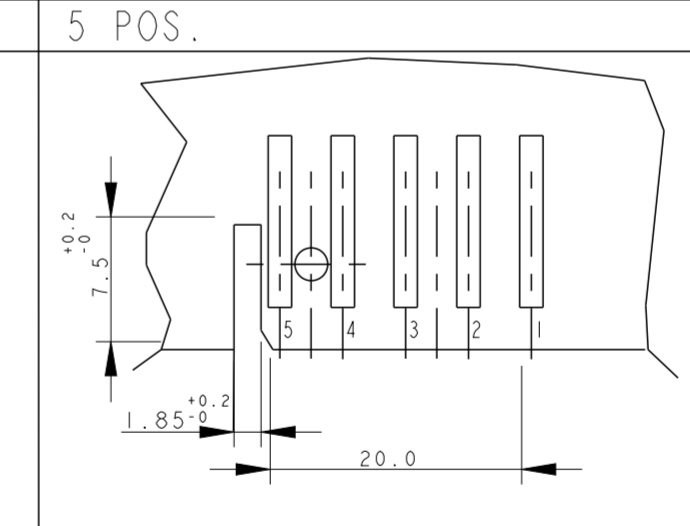
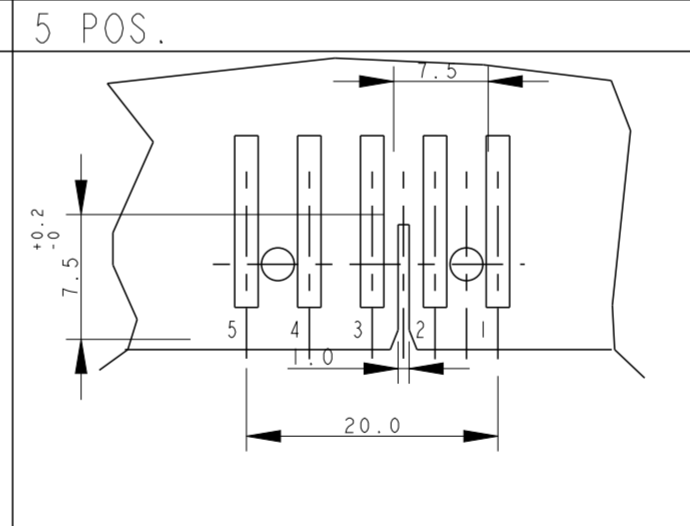
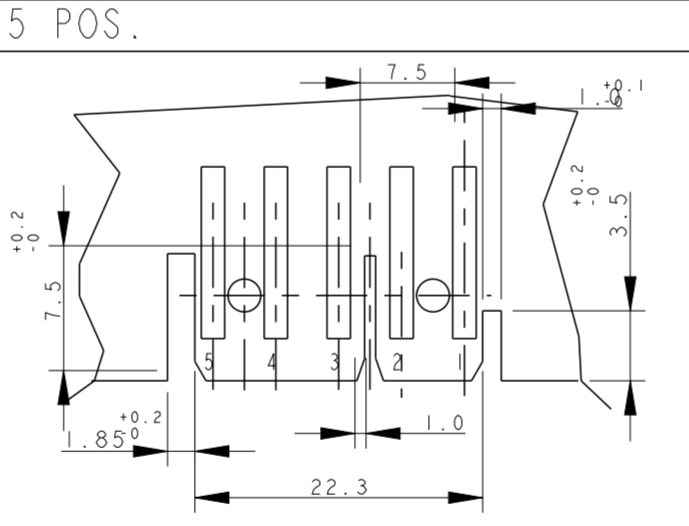
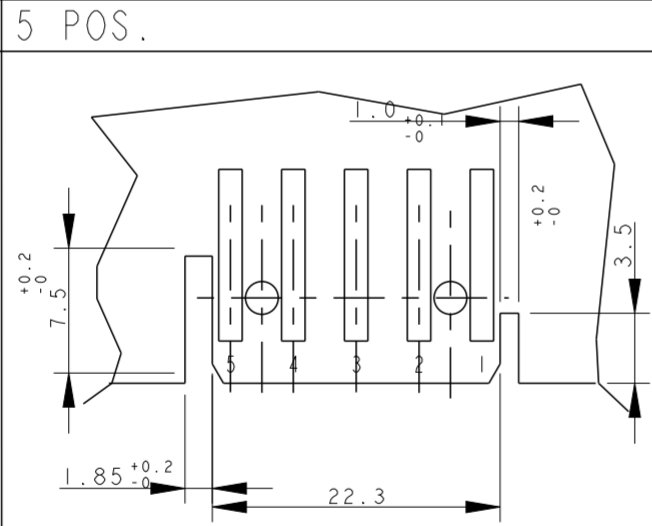
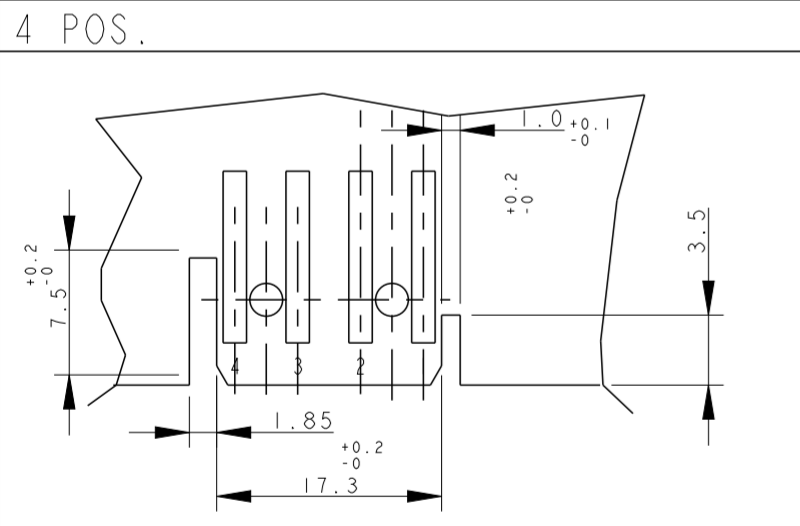
DIMA DEL PCB PER PN (PCB LAYOUT FOR PN.S)
 x-284561-1

DIMA DEL PCB PER PN (PCB LAYOUT FOR PN.S)
 x-282042-6

DIMA DEL PCB PER PN (PCB LAYOUT FOR PN.S)
 x-282043-2 and x-282043-3

DIMA DEL PCB PER PN (PCB LAYOUT FOR PN.S)
 x-282235-2 and x-282235-3

DIMA DEL PCB PER PN (PCB LAYOUT FOR PN.S)
 x-284546-1



DIMA DEL PCB PER PN (PCB LAYOUT FOR PN.S)
 x-282044-1

DIMA DEL PCB PER PN (PCB LAYOUT FOR PN.S)
 x-282045-1

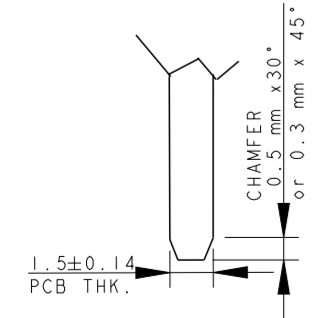
DIMA DEL PCB PER PN (PCB LAYOUT FOR PN.S)
 x-282045-2

DIMA DEL PCB PER PN (PCB LAYOUT FOR PN.S)
 x-282045-3

DIMA DEL PCB PER PN (PCB LAYOUT FOR PN.S)
 x-284733-1

PCB LAYOUT FOR PN.S
 3-282045-4 2293372-5
 2298752-5

- SUGGESTED SHAPE FOR PCB MATING SIDE, CAN BE ALSO OBTAINED BY SCORING PROCESS-

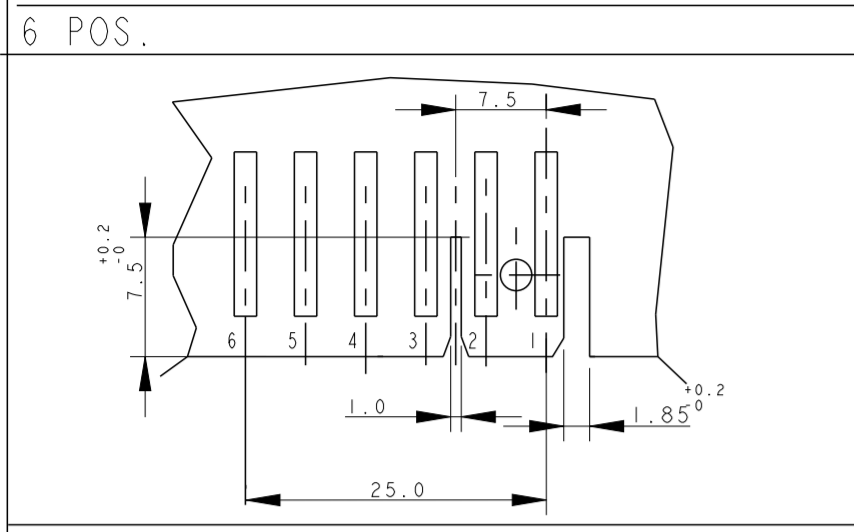


- 1) LE DIMENSIONI TIPICHE RIFERITE ALLE GEOMETRIE COMUNI A TUTTE LE DIME SONO INDICATE SOLO NEL DETTAGLIO RELATIVO AL PN 1-282042.
 (PCB GEOMETRY TYPICAL DIMENSIONS ARE SHOWN ON SKETCH FOR PN 1-282042-1)
- 2) LE DIME DEI PCB ACCOPPIANO CON I CONNETTORI INSERITI CO USCITA CAVI VERSO IL BASSO
 (PCB LAYOUT AS SHOWN WILL MATE WITC CONNECTORS HAVING CABLE EXIT DOWN)

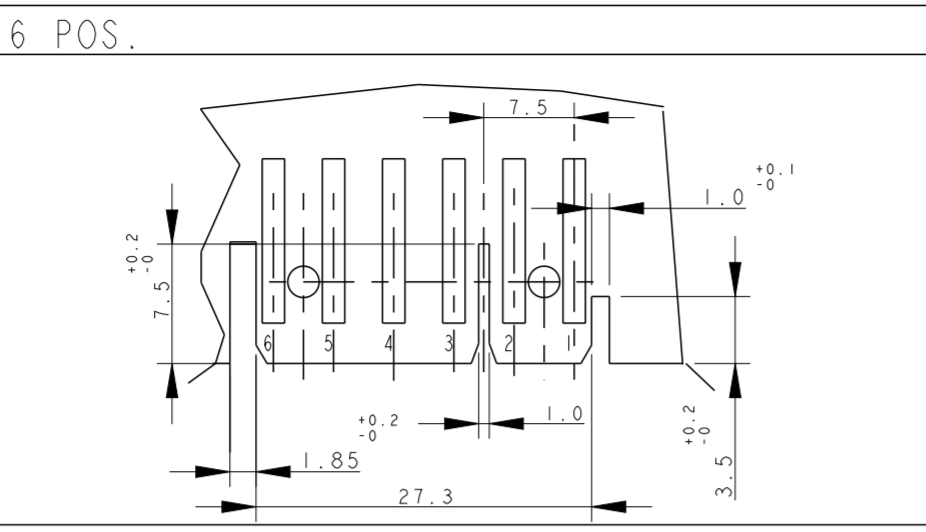
THIS DRAWING IS A CONTROLLED DOCUMENT.		DWN C. CORDOLA 23 JUL 1996	TE Connectivity MONO-SHAPE, MK1 PCB CONNECTOR 2-12 POS.	SIZE	CAGE CODE	DRAWING NO	RESTRICTED TO	
DIMENSIONS:	TOLERANCES UNLESS OTHERWISE SPECIFIED:	CHK G. TURCO 23 JUL 1996		A2	1	G-282042	-	
mm	0 PLC ± 1 PLC ± 2 PLC ± 3 PLC ± 4 PLC ± ANGLES ±2°	APVD G. TURCO 23 JUL 1996		WEIGHT	Customer Drawing		SCALE 2:1	SHEET 5 OF 9
MATERIAL	CONNETTORE NYLON (CONNECTOR NYLON) CONTATTO OTTONE (CONTACT BRASS)	PRODUCT SPEC 108-20067 APPLICATION SPEC 114-20018		REV 16				

THIS DRAWING IS UNPUBLISHED. RELEASED FOR PUBLICATION
 © COPYRIGHT copyright.dBTe- ALL RIGHTS RESERVED.

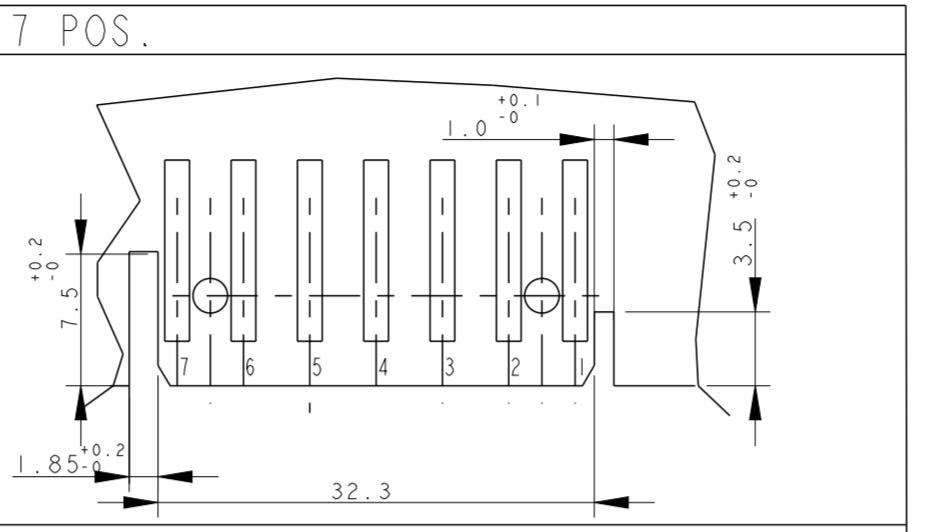
LOC		DIST		REVISIONS			
P	LTR	DESCRIPTION	DATE	DWN	APVD		
		SEE SHEET 1					



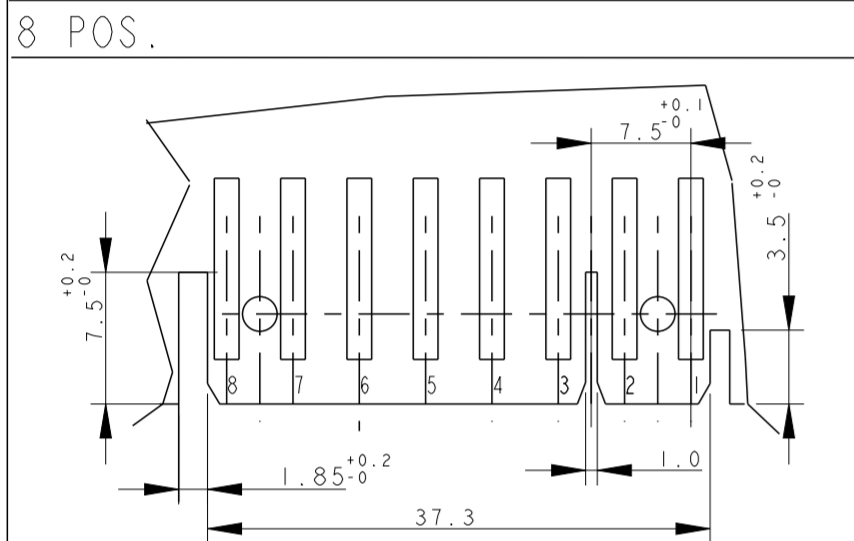
DIMA DEL PCB PER PN
 (PCB LAYOUT FOR PN.S)
 x-284734-1



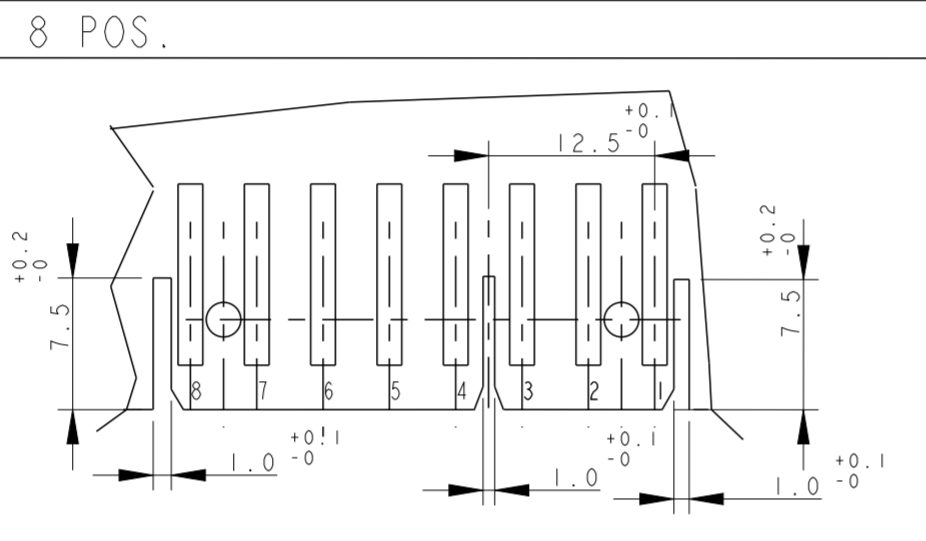
DIMA DEL PCB PER PN
 (PCB LAYOUT FOR PN.S)
 x-282046-1



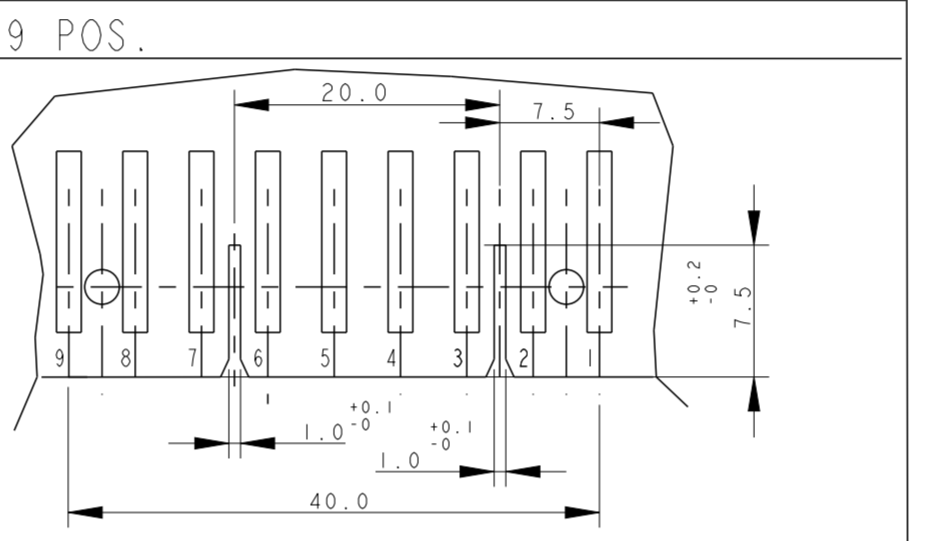
DIMA DEL PCB PER PN
 (PCB LAYOUT FOR PN.S)
 x-282047-1, 2293372-7 AND 2298752-7



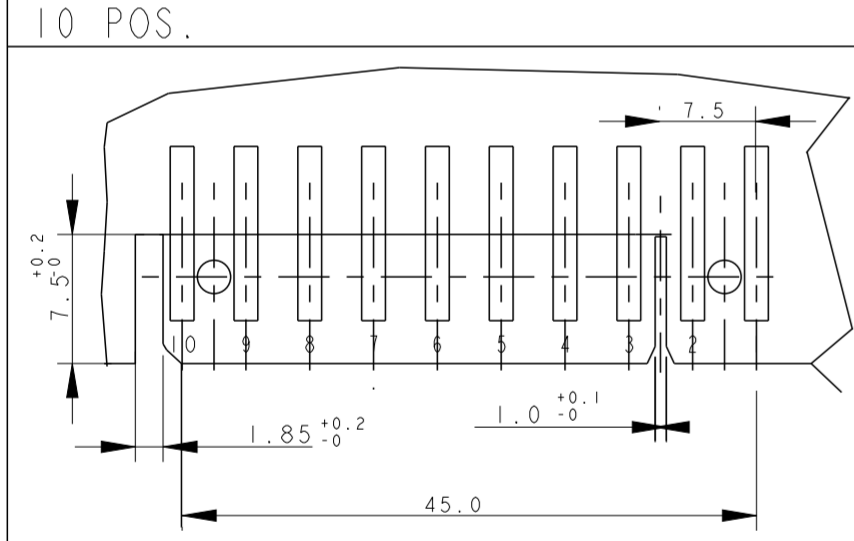
DIMA DEL PCB PER PN
 (PCB LAYOUT FOR PN.S)
 x-284208-1



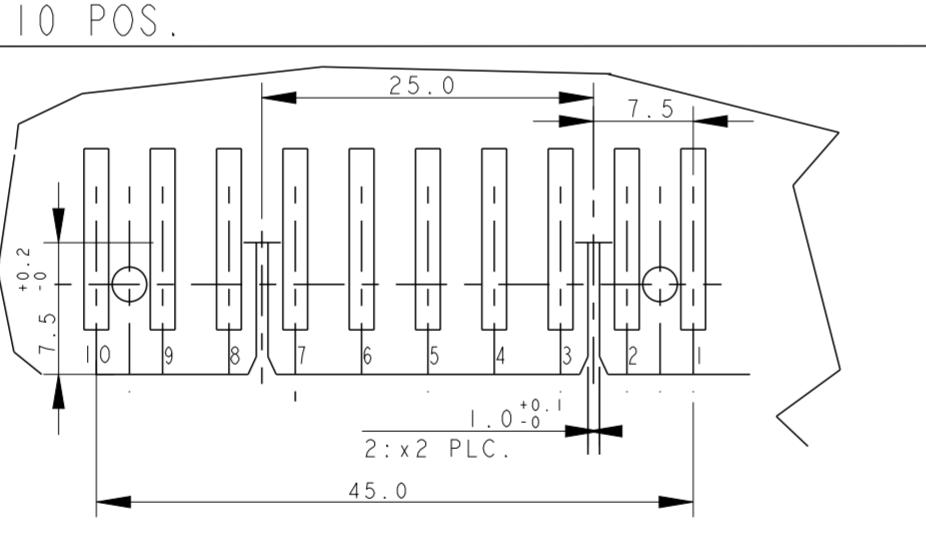
DIMA DEL PCB PER PN
 (PCB LAYOUT FOR PN.S)
 x-284574-1



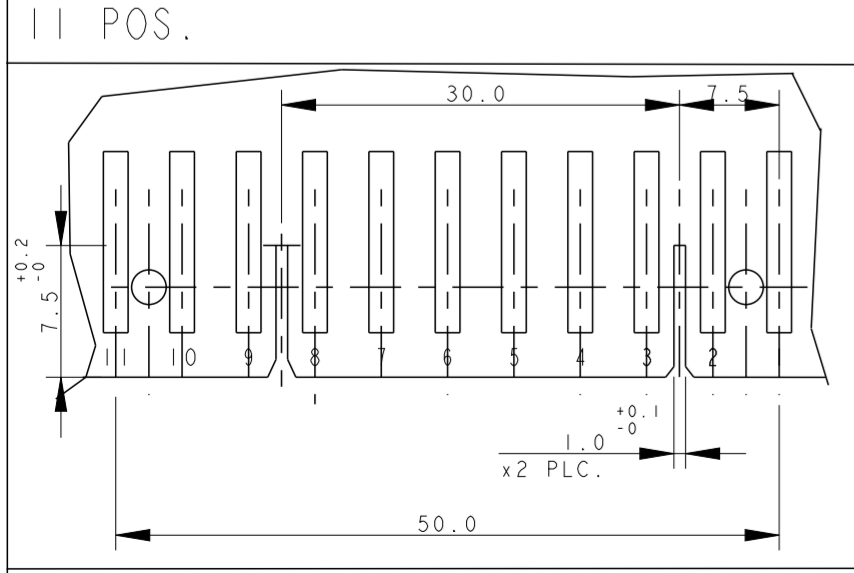
DIMA DEL PCB PER PN
 (PCB LAYOUT FOR PN.S)
 x-282049-1, 2293372-9 AND 2298752-9



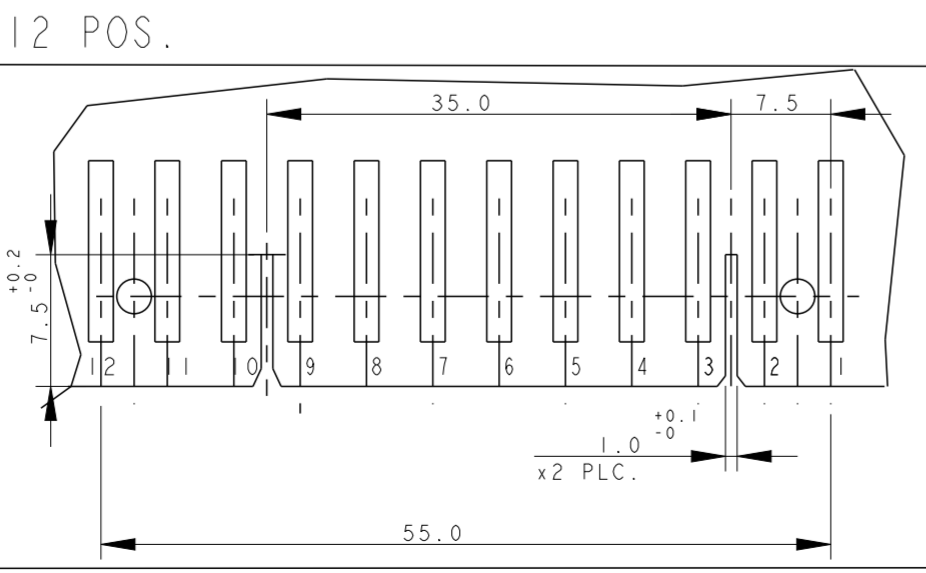
DIMA DEL PCB PER PN
 (PCB LAYOUT FOR PN.S)
 x-284401-x



DIMA DEL PCB PER PN
 (PCB LAYOUT FOR PN.S)
 x-282050-x

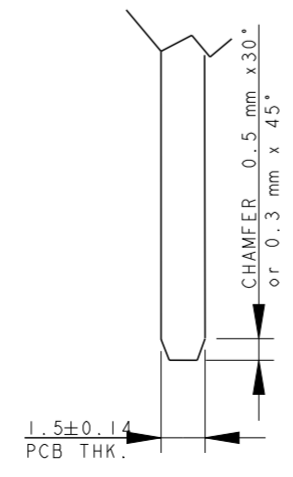
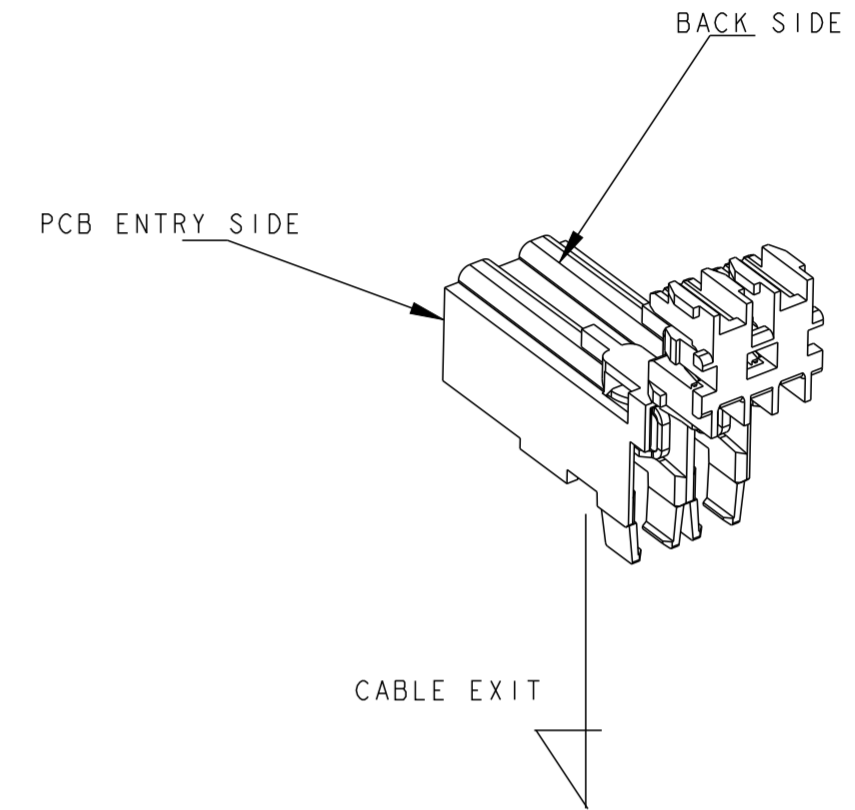


DIMA DEL PCB PER PN
 (PCB LAYOUT FOR PN.S)
 x-282051-x



PCB LAYOUT FOR PN.S
 x-282052-x
 2297072-2

CONNECTOR LAYOUT
 (3D VIEW FOR REFERENCE TO SHOW THE CONNECTOR
 ORIENTATION RESPECT TO PCB CUT OUT DESIGN)



- SUGGESTED SHAPE FOR PCB MATING
 SIDE, CAN BE ALSO OBTAINED
 BY SCORING PROCESS-

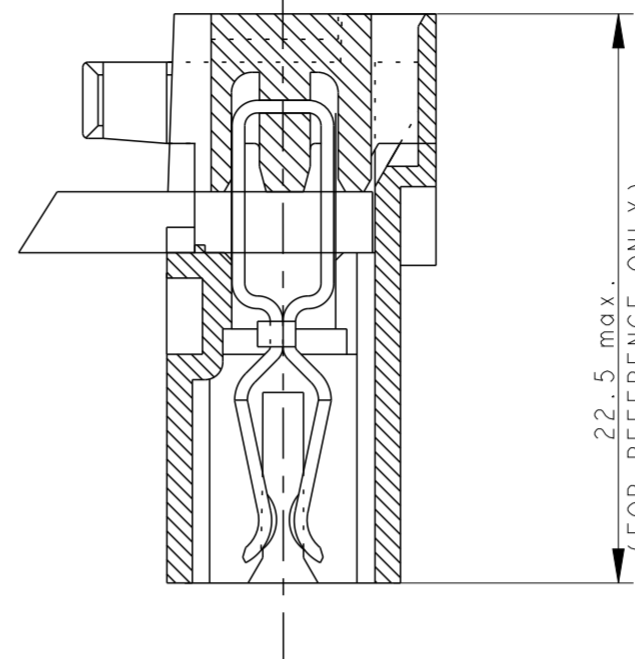
THIS DRAWING IS A CONTROLLED DOCUMENT.		DWN C.CORDOLA	23JUL1996	TE Connectivity NAME MONO-SHAPE, MK1 PCB CONNECTOR 2-12 POS.	
DIMENSIONS: mm		CHK G.TURCO	23JUL1996		
TOLERANCES UNLESS OTHERWISE SPECIFIED: 0 PLC ±		APVD G.TURCO	23JUL1996	PRODUCT SPEC 108-20067	
1 PLC ±		APPLICATION SPEC 114-20018		SIZE A2	
2 PLC ±		WEIGHT -		CAGE CODE 1	
3 PLC ±		FINISH STAGNATO (TIN PLATED)		DRAWING NO G-282042	
4 PLC ±		MATERIAL CONNECTORE NYLON (CONNECTOR NYLON) CONTATTO OTTONE (CONTACT BRASS)		RESTRICTED TO -	
ANGLES ±2°		Customer Drawing		SCALE NO	
PCB THK. 1.5±0.14		SHEET 6		OF 9	
		REV Z16			

THIS DRAWING IS UNPUBLISHED. RELEASED FOR PUBLICATION
 © COPYRIGHT copyright.dBTe- ALL RIGHTS RESERVED.

LOC		DIST		REVISIONS			
P	LTR	DESCRIPTION	DATE	DWN	APVD		
-	-	SEE SHEET 1					

NUMERO DI VIE	CONFIGURAZIONE (VISTA CON USCITA CAVI IN ALTO)	VERSIONE PEZZI IN VASSOIO	PART NUMBER ASSY CONN.		POSIZIONE POLARIZ. (INTERVIA)	L (mm)	MARCHIATURA CON BANDA COLORATA
			REV.	VERSIONE PEZZI SCIOLTI			
NO. OF POS.	(CONFIGURATION) (VIEW WITH CABLE EXIT UP)	ON TRAY PACKAGING VERSION	PART REV.	LOOSE PIECES PACKAGING VERSION	PART REV.	L (mm)	STRIP COLOUR
2		1-282042-1	U	2-282042-1	U	10.8	ARANCIO (ORANGE)
2		1-282042-2	U	2-282042-2	U	10.8	VERDE (GREEN)
2		1-282042-3	U	2-382042-3	U	9.9	BLU (BLUE)
2		1-282042-4	U	2-282042-4	U	10.8	ROSSO (RED)
2		1-282042-5	U	2-282042-5	U	9.9	NERO (BLACK)
2		1-284561-1	V	-	-	9.9	VERDE (GREEN)
2		1-282042-6	V	-	-	9.9	VIOLA (VIOLET)
2		1-284561-2	V	-	-	9.9	-
3		1-282043-2	U	2-282043-2	U	14.9	-
		1-282043-3	U	2-282043-3	U	14.9	NERO (BLACK)
3		0-282235-2	U	2-282235-2	U	15.8	-
		0-282235-3	U	2-282235-3	U	15.8	NERO (BLACK)
3		1-284546-1	V	-	-	14.9	BLU (BLUE)
4		1-282044-1	V	2-282044-1	V	19.9	-
		3-282044-1	V	-	-	19.9	-
5		1-282045-1	U	2-282045-1	U	24.9	-
5		1-282045-2	U	2-282045-2	U	24.9	VERDE (GREEN)
5		1-282045-3	U	2-382045-3	U	24.9	BLU (BLUE)
5		1-284733-1	U	2-284733-1	U	24.9	-
5		3-282045-4	Z	-	-	24.9	Orange
6		1-282046-1	U	2-282046-1	U	29.9	-
6		1-284734-1	U	2-284734-1	U	29.9	-
7		1-282047-1	U	2-282047-1	U	34.9	-
8		0-284208-1	U	2-284208-1	U	39.9	-
9		1-282049-1	U	2-282049-1	U	44.9	-
10		1-282050-1	U	2-282050-1	U	49.9	-
10		1-284401-1	V	-	-	49.9	NERO (BLACK)
11		1-282051-1	U	2-282051-1	U	54.9	-
12		1-282052-1	U	2-282052-1	U	59.9	-

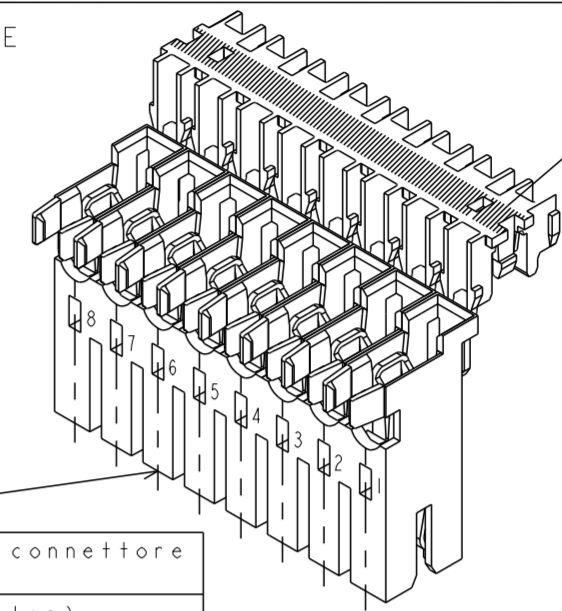
CONNETTORE COMPLETO DI CAVO (TERMINATED CONNECTOR)



22.5 max. (FOR REFERENCE ONLY)

LEGENDA (DESCRIPTION)

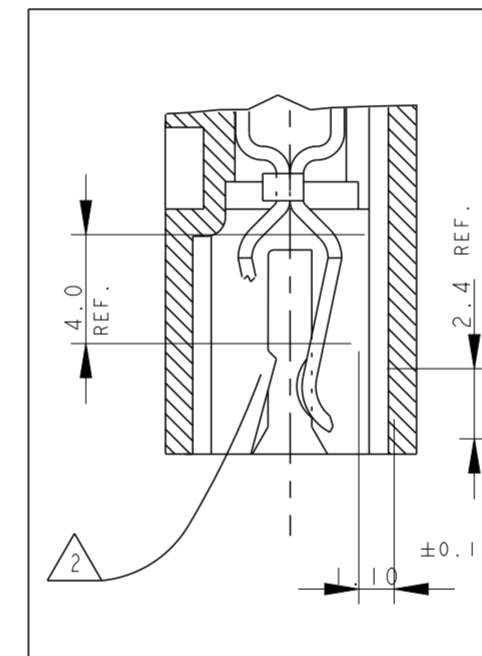
AMP MONO-SHAPE PCB CONNECTOR



1) Parte anteriore connettore (Lofo cavi) (Top side connector) (Cable side)

1) lato banda colorata (Colour strip side)

1) PER LE DIMENSIONI DEGLI SCARICHI SUL PCB VEDERE FOGLIO 5 (FOR PCB LAYOUT AND DIMENSIONS SEE SHEET 5)



2) GLI AGGANCI PER DIMA CIRCUITO STAMPATO, SONO SEMPRE RICAVATI SULLA SECONDA E PENULTIMA PARETE DEL BLOCCHETTO (INDICATI COME X-Y SUI DETTAGLI DEL DISEGNO) (LOCKING TEETH ARE OBTAINED ON THE SECOND AND THE SECOND-LAST WALL (NAMED X-Y ON RELEVANT DWG. DETAILS))

3) MARCHIO DI FABBRICA (LIBERA POSIZIONE) (TRADEMARK) (FREE POSITION)

4) NUMERI DI IDENTIFICAZIONE CAVITA' (CIRCUIT IDENTIFICATION)

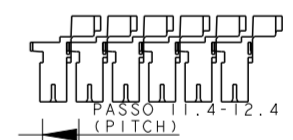
5) ADATTO PER SCHEDA CIRCUITO STAMPATO SPESSORE 1.5±0.14 (SUITABLE FOR P.C.B. THK. 1.5±0.14)

6) PN NOT YET RELEASED FOR PRODUCTION

12) INCLUDE LA POLARIZZAZIONE DOVE E' ESISTENTE (INCLUDING POLARIZATION KEY, WHEN EXISTING)

15) STATO DI FORNITURA: CONFEZIONAMENTO IN "VASSOI + SCATOLA" (PACKAGING: "ON TRAY PLUS CARTON BOX")

16) CONFEZIONAMENTO IN BOBINA OBSOLETATO (PACKAGING: "ON REEL" OBSOLETE)



17) APPROVAZIONE VDE, FILE No. 3905 (VDE APPROVAL, FILE No. 3905)

18) PROFILO "A" E' VALIDO PER OGNI CONFIGURAZIONE, PROFILO "B" E' AMMESSO SOLO PER I PN IDENTIFICATI IN TABELLA DALLA PRESENTE NOTA (SHAPE "A" VALID FOR EACH CONFIGURATION, SHAPE "B" IS PERMITTED ONLY ON PN WHERE THIS NOTE IS SHOWN ON RELEVANT DRAWING TABLE)

19) OBSOLETE: CIS STREAMLINING PER D.RENAUD/D.SINISI

20) OBSOLETE

21) PA GF, UL-V0 GWEPT 750°C NO FLAME, NATURAL

ITEM	DENOMINAZIONE (DESCRIPTION)	FINITURA/COLORE (FINISH/COLOUR)	MATERIALE (MATERIAL)
2	BLOCCHETTO (HOUSING)	NATURALE (NATURAL)	PA 6.6 CARICATO VETRO (POLIAMIDE 6.6 GLASSFIBER FILLED)
1	CONTATTO (CONTACT)	STAGNATO (TIN-PLATED)	OTTONE (BRASS)

THIS DRAWING IS A CONTROLLED DOCUMENT.		DWN G. CORDOLA 23JUL1996	<p>TE Connectivity</p> <p>MONO-SHAPE, MK1 PCB CONNECTOR 2-12 POS.</p>
DIMENSIONS: mm		CHK G. TURCO 23JUL1996	
TOLERANCES UNLESS OTHERWISE SPECIFIED:		APVD G. TURCO 23JUL1996	
0 PLC ± 0.3 1 PLC ± 2 PLC ± 3 PLC ± 4 PLC ± ANGLES ±2°		PRODUCT SPEC 108-20067	
MATERIAL CONNETTORE NYLON (CONNECTOR NYLON) CONTATTO OTTONE (CONTACT BRASS)		FINISH STAGNATO (TIN PLATED)	APPLICATION SPEC 114-20018
		WEIGHT -	RESTRICTED TO -
		Customer Drawing	SCALE NO SHEET 7 OF 9 REV. Z16

THIS DRAWING IS UNPUBLISHED. RELEASED FOR PUBLICATION
 © COPYRIGHT copyright.d8te- ALL RIGHTS RESERVED.

LOC	DIST	REVISIONS					
		P	LTR	DESCRIPTION	DATE	DWN	APVD
-	-			SEE SHEET 1			

21 PA GF, UL-V0 GWEPT 750°C NO FLAME, NATURAL

	NO of POS.	CONFIGURATION (SEE TYP. SECTION ONLY FOR REF ①)	ON TRAY PACKAGING VERSION	PART REV.	LOOSE PIECES PACKAGING VERSION	PART REV.	POLARIZ. POSITION (INTERVIA)	"L" (mm)	COLOR CODE
⑥	2		2293372-2	I	-	-	-	9.9	BLUE
⑥	3	-	2293372-3	I	-	-	-	14.9	-
⑥	4	-	2293372-4	I	-	-	-	19.9	-
	5		2293372-5	Z	-	-	1-2	24.9	-
⑥	6	-	2293372-6	I	-	-	-	29.9	-
	7		2293372-7	Z	-	-	-	34.9	-
⑥	8	-	2293372-8	I	-	-	-	39.9	-
	9		2293372-9	Z	-	-	2-3 6-7	44.9	-
⑥	10	-	1-2293372-0	I	-	-	-	49.9	-
⑥	11	-	2297072-1	I	-	-	-	54.9	-
⑥	12		2297072-2	I	-	-	2-3 9-10	59.9	-

THIS DRAWING IS A CONTROLLED DOCUMENT.		DWN C. CORDOLA 23 JUL 1996	TE Connectivity			
DIMENSIONS: mm		CHK G. TURCO 23 JUL 1996				
	TOLERANCES UNLESS OTHERWISE SPECIFIED:	APVD G. TURCO 23 JUL 1996	NAME MONO-SHAPE, MK1 PCB CONNECTOR 2-12 POS.			
	0 PLC ± 1 PLC ± 2 PLC ± 0.3 3 PLC ± 4 PLC ± ANGLES ±2°	PRODUCT SPEC 108-20067 APPLICATION SPEC 114-20018	SIZE A2	CAGE CODE 1	DRAWING NO C-282042	
MATERIAL CONNETTORE NYLON (CONNECTOR NYLON) CONTATTO OTTONE (CONTACT BRASS)	FINISH STAGNATO (TIN PLATED)	WEIGHT -	RESTRICTED TO -	SCALE NO	SHEET 8 OF 9	REV Z16
Customer Drawing						

THIS DRAWING IS UNPUBLISHED. RELEASED FOR PUBLICATION
 © COPYRIGHT copyright.dBTe - ALL RIGHTS RESERVED.

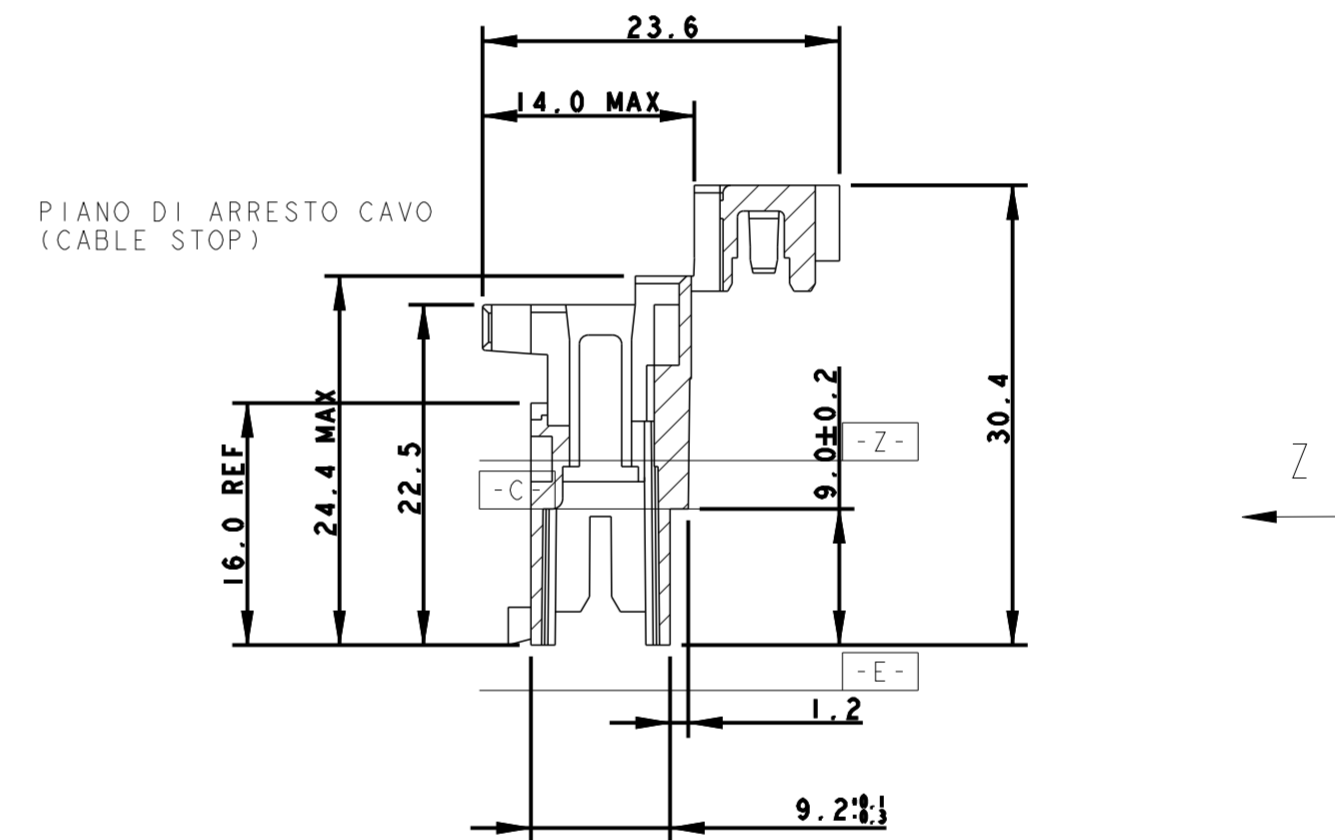
LOC		DIST		REVISIONS			
P	LTR	DESCRIPTION	DATE	DWN	APVD		
		SEE SHEET 1					

△ PA GF, UL-V0 GWEPT 750°C NO FLAME, NATURAL

LONG VERSION

	NO. OF POS.	CONFIGURATION (SEE TYP. SECTION ONLY FOR REF.) ①	ON TRAY PACKAGING VERSION	PART REV.	LOOSE PIECES PACKAGING VERSION	PART REV.	POLARIZ. POSITION (INTERVIA)	L (mm)	COLOR CODE
△6	2		2298752-2		-	-	-	9.9	BLUE
△6	3	-	2298752-3		-	-	-	14.9	-
△6	4	-	2298752-4		-	-	-	19.9	-
△6	5		2298752-5		-	-	1-2	24.9	-
△6	6	-	2298752-6		-	-	-	29.9	-
△6	7		2298752-7		-	-	-	34.9	-
△6	8	-	2298752-8		-	-	-	39.9	-
△6	9		2298752-9		-	-	2-3, 6-7	44.9	-
△6	10	-	1-2298752-0		-	-	-	49.9	-
△6	11	-	2298552-1		-	-	-	54.9	-
△6	12	-	2298552-2		-	-	-	59.9	-

VIEW APPLIES TO LONG VERSION ONLY



THIS DRAWING IS A CONTROLLED DOCUMENT.		DWN C. CORDOLA 23JUL1996	TE Connectivity	
DIMENSIONS: mm		CHK G. TURCO 23JUL1996		
TOLERANCES UNLESS OTHERWISE SPECIFIED:		APVD G. TURCO 23JUL1996	NAME MONO-SHAPE, MK1 PCB CONNECTOR 2-12 POS.	
0 PLC ±		PRODUCT SPEC	SIZE	
1 PLC ± 0.3		108-20067	CAGE CODE	
2 PLC ±		APPLICATION SPEC	DRAWING NO	
3 PLC ±		114-20018	RESTRICTED TO	
4 PLC ±		WEIGHT	A2 1 C-282042	
ANGLES ±°		Customer Drawing	SCALE NO SHEET 9 OF 9 REV Z16	
MATERIAL CONNETTORE NYLON (CONNECTOR NYLON) CONTATTO OTTONE (CONTACT BRASS)		FINISH STAGNATO (TIN PLATED)		