



Chipsmall Limited consists of a professional team with an average of over 10 year of expertise in the distribution of electronic components. Based in Hongkong, we have already established firm and mutual-benefit business relationships with customers from,Europe,America and south Asia,supplying obsolete and hard-to-find components to meet their specific needs.

With the principle of “Quality Parts,Customers Priority,Honest Operation,and Considerate Service”,our business mainly focus on the distribution of electronic components. Line cards we deal with include Microchip,ALPS,ROHM,Xilinx,Pulse,ON,Everlight and Freescale. Main products comprise IC,Modules,Potentiometer,IC Socket,Relay,Connector.Our parts cover such applications as commercial,industrial, and automotives areas.

We are looking forward to setting up business relationship with you and hope to provide you with the best service and solution. Let us make a better world for our industry!



Contact us

Tel: +86-755-8981 8866 Fax: +86-755-8427 6832

Email & Skype: info@chipsmall.com Web: www.chipsmall.com

Address: A1208, Overseas Decoration Building, #122 Zhenhua RD., Futian, Shenzhen, China

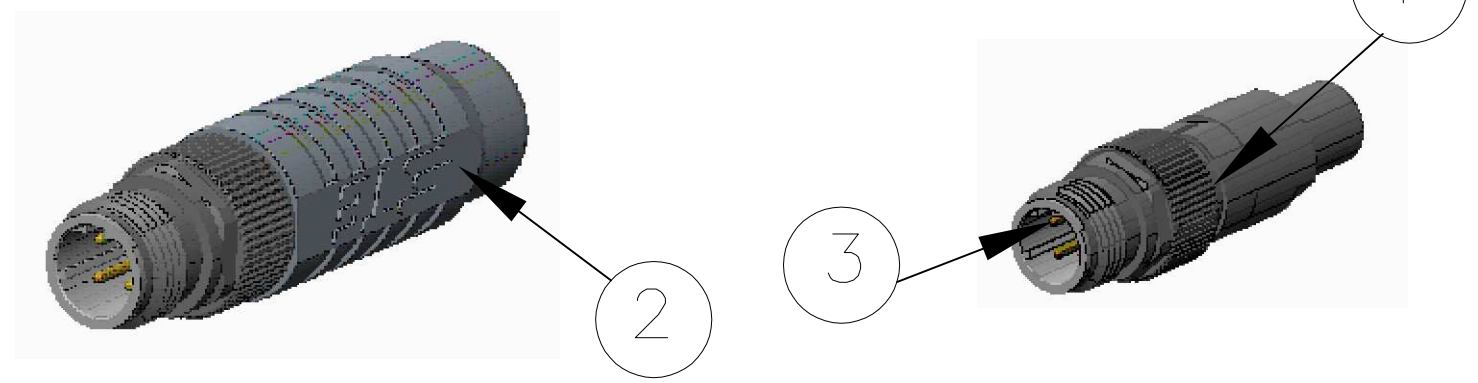
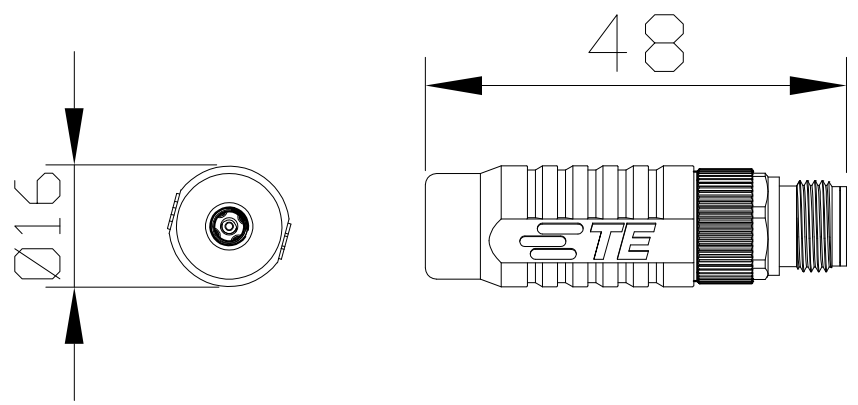


THIS DRAWING IS UNPUBLISHED. RELEASED FOR PUBLICATION NOV ,2007.
 © COPYRIGHT 2007 By - ALL RIGHTS RESERVED.

P	LTR	DESCRIPTION	DATE	DWN	APVD
	A2	ECR-16-014891	08MAR2017	KK	SE

PROJECT	PRJ-14-000004825
PART NO	X-2823445-X
HV DESC	RAIL M12, D-CODED,MALE
CUSTOMER	GENERAL MARKET

CABLE PLUG AS SHOWN



CODE	TE FG PN'S	NUMBER OF POLES IN CONNECTOR	NUMBER OF CONTACTS REQUIRED	CABLE PLUG	BULKHEAD PLUG	CABLE REFERENCE	AWG	HAND TOOL (TE PN) (COMPACT)	HAND TOOL (TE PN) (STANDARD)	RECOMMENDED POSITIONER (TE PN) (COMPACT)	RECOMMENDED POSITIONER (TE PN) (STANDARD)	CRIMP INSERT TE PN'S	CABLE JACKET STRIPPING TOOL TE PN	ASSEMBLY TOOL HANDLE FOR CRIMP FLANGE TE PN	UNIVERSAL INSERT TE PN (ALL M12 CODES)	ASSEMBLY TOOL FRONT HOUSING AND BACK NUT TE PN	CABLE COLOUR	NUMBER OF WIRES PER CABLE	CABLE MANUFACTURER	CABLE PN		
D code	1-2823445-1	4	4	x		Cat 5 Radox 6.6mm	AWG22			TE : 601966-2 RECOMMENDED SETTINGS : MUST BE VALIDATED ON CABLE USED (SEL No.7)	TE : 1-2823582-4, RECOMMENDED SETTINGS : MUST BE VALIDATED ON CABLE USED	1-2823558-3					BLACK	4	H & S	12584038		
D code	1-2823445-2	4	4	x		Cat 5 Radox 7.3mm	AWG22					1-2823558-4							BLACK	4	H & S	12568935
D code	1-2823445-3	4	4	x		Cat 5 Radox 8.3mm	AWG20					1-2823558-6							BLACK	4	H & S	12585489
D code	1-2823445-4	4	4	x		Cat 7 radox 8.2mm	AWG22					1-2823558-6							BLUE	8	H & S	84124806
D code	1-2823445-5	4	4	x		Cat 5 Radox 7.3mm	AWG22					1-2823558-4							BLACK	4	H & S	12568935
D code	1-2823445-6	4	4		x	Cat 5 Megaline 5.3mm	AWG26	TE PN : 601966-1	TE PN : 601967-1			1-2823558-1		1-2823559-1	1-2823560-1	1-2823561-1	1-2823564-1		GREY	8	Leoni	20123 3103012
D code	1-2823445-7	4	4		x	Cat 7 radox 8.2mm	AWG22					1-2823558-5							BLUE	8	H & S	84124806
D code	1-2823445-8	4	4	x		6.7mm	AWG22					1-2823558-1							BLACK	8	Belden	BE43769
D code	1-2823445-9	4	4	x		Cat 5 Radox 6.6mm	AWG22					1-2823558-2							BLACK	8	Leoni	303195
D code	2-2823445-0	4	4	x		TE CAT 7	AWG24					SEL No.5	AWG24	1-2823558-5					BLUE	8	TE	2297799-1

NOTES:
 MATERIAL:
 ITEM NO. 1: HOUSING - BRASS, NICKEL PLATED.
 ITEM NO. 2: PLASTIC BODY - PA (UL94 V-0).
 ITEM NO. 3: CONTACT FINISH - Au (gold).
 CONTACT - CuZn (Brass).
 - ALL DIMENSIONS ARE FOR NOMINAL REFERENCE ONLY.
 -PACKAGING: 1 PIECE IN A BAG.
 -THE CONNECTOR IS AS PER IEC 61076-2-101.
 -TEMPERATURE RANGE: -40°C TO 85°C (WITH CABLE BOOT),
 -30°C TO 85°C (WITHOUT CABLE BOOT).
 -VIBRATION & SHOCK TEST CONDUCTED AS PER IEC 61373:1999.
 -FIRE PERFORMANCE CONDUCTED AS PER EN45545-2, NFF16-101 AND NFF16-102.
 -THE THREAD OF THE MATING INTERLACE WITH THE COUNTERPART IS M12x1 ACCORDING TO IEC61076-2-101.
 -CRIMP INSERT: SHOULD BE VALIDATED ON CABLE USED.
 -WEIGHT: 24 g.

-REFER SPEC NO 408-156003 FOR INSTRUCTION SHEET (WITH CABLE SHIELD)
 -REFER SPEC NO 408-156021 FOR INSTRUCTION SHEET (WITHOUT CABLE SHIELD).
 -REFER SPEC NO 408-156020 FOR INSTRUCTION SHEET (BULKHEAD CABLE).

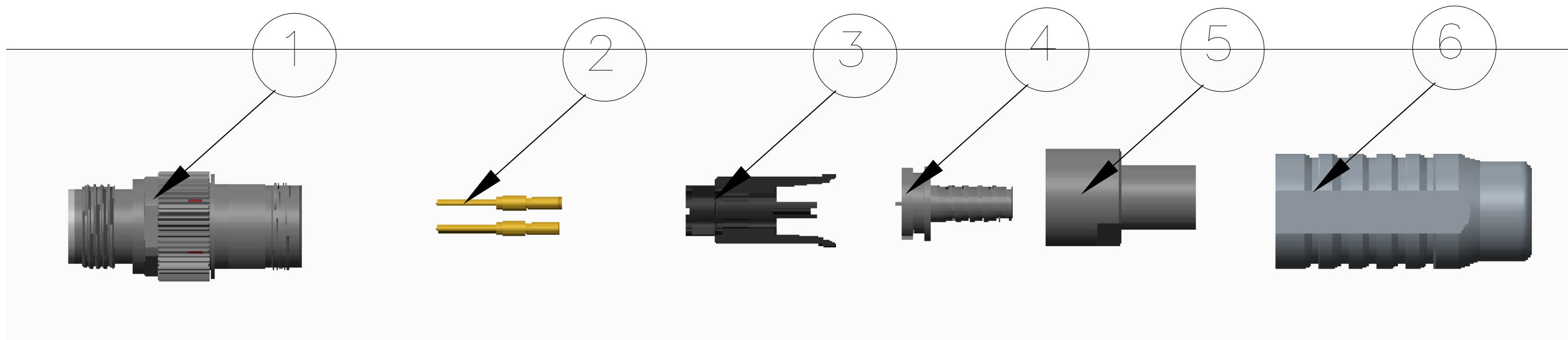
THIS DRAWING IS A CONTROLLED DOCUMENT.		DWN GUNA 30OCT2015	TE Connectivity		
		CHK GANI 30OCT2015			
		APVD JAYANTH 30OCT2015	NAME		
DIMENSIONS: MM 		PRODUCT SPEC 108-156001	RAIL M12, D-CODED MALE 4 CRIMP CONNECTORS		
TOLERANCES UNLESS OTHERWISE SPECIFIED: 0 PLC ± - 1 PLC ± - 2 PLC ± - 3 PLC ± - 4 PLC ± - ANGLES ± -		APPLICATION SPEC 408-156003	SIZE	CAGE CODE	DRAWING NO
MATERIAL		WEIGHT	A3	00779	C-2823445
		CUSTOMER DRAWING	RESTRICTED TO	SCALE NTS	SHEET 1 OF 2
					REV A2

THIS DRAWING IS UNPUBLISHED. RELEASED FOR PUBLICATION NOV ,2007.
 © COPYRIGHT 2007 By - ALL RIGHTS RESERVED.

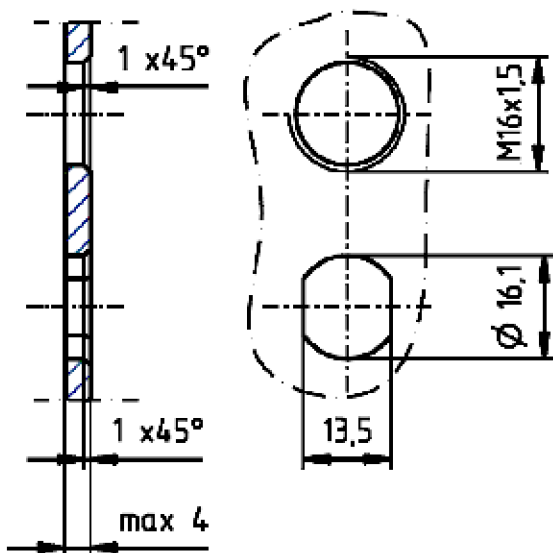
PROJECT	PRJ-14-000004825
PART NO	X-2823445-X
HV DESC	RAIL M12, D-CODED,MALE
CUSTOMER	GENERAL MARKET

P	LTR	DESCRIPTION	DATE	DWN	APVD
-	-	SEE SHEET 1	-	-	-

CABLE PLUG AS SHOWN

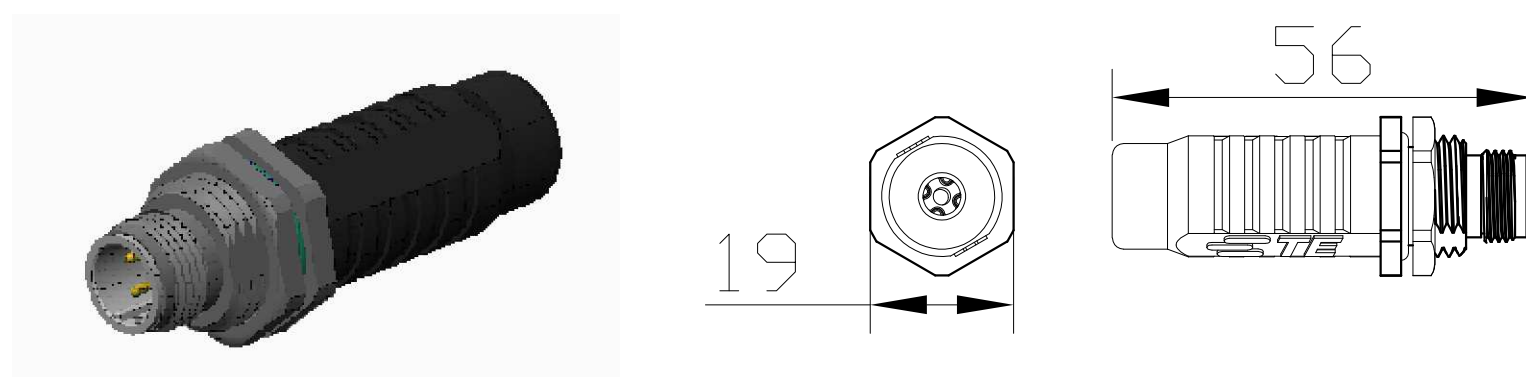


Panel cut-out



CUSTOMER CAN CHOOSE ANY ONE OF THE PANEL CUT-OUT.

BULK HEAD PLUG TE PN'S: 1-2823445-6 & 1-2823445-7
 BULK HEAD AS SHOWN



ITEM	DESCRIPTION	QTY	UNIT
6	GRIP BOOT	1	PC
5	BACK NUT & CRIMP SLEEVE	1	PC
4	CRIMP INSERT	1	PC
3	CONTACT HOLDER	1	PC
2	CRIMP CONTACTS MACHINED	4	PC
1	FRONT HOUSING	1	PC

THIS DRAWING IS A CONTROLLED DOCUMENT.

DWN	GUNA	30OCT2015	TE Connectivity
CHK	GANI	30OCT2015	
APVD	JAYANTH	30OCT2015	
DIMENSIONS: MM 			NAME
TOLERANCES UNLESS OTHERWISE SPECIFIED: 0 PLC ± - 1 PLC ± - 2 PLC ± - 3 PLC ± - 4 PLC ± - ANGLES ± -			RAIL M12, D-CODED MALE 4 CRIMP CONNECTORS
MATERIAL - FINISH -			APPLICATION SPEC - WEIGHT - SIZE A3 CAGE CODE 00779 DRAWING NO C-2823445 RESTRICTED TO -
CUSTOMER DRAWING			SCALE NTS SHEET 2 OF 2 REV A2