



Chipsmall Limited consists of a professional team with an average of over 10 year of expertise in the distribution of electronic components. Based in Hongkong, we have already established firm and mutual-benefit business relationships with customers from,Europe,America and south Asia,supplying obsolete and hard-to-find components to meet their specific needs.

With the principle of “Quality Parts,Customers Priority,Honest Operation,and Considerate Service”,our business mainly focus on the distribution of electronic components. Line cards we deal with include Microchip,ALPS,ROHM,Xilinx,Pulse,ON,Everlight and Freescale. Main products comprise IC,Modules,Potentiometer,IC Socket,Relay,Connector.Our parts cover such applications as commercial,industrial, and automotives areas.

We are looking forward to setting up business relationship with you and hope to provide you with the best service and solution. Let us make a better world for our industry!



Contact us

Tel: +86-755-8981 8866 Fax: +86-755-8427 6832

Email & Skype: info@chipsmall.com Web: www.chipsmall.com

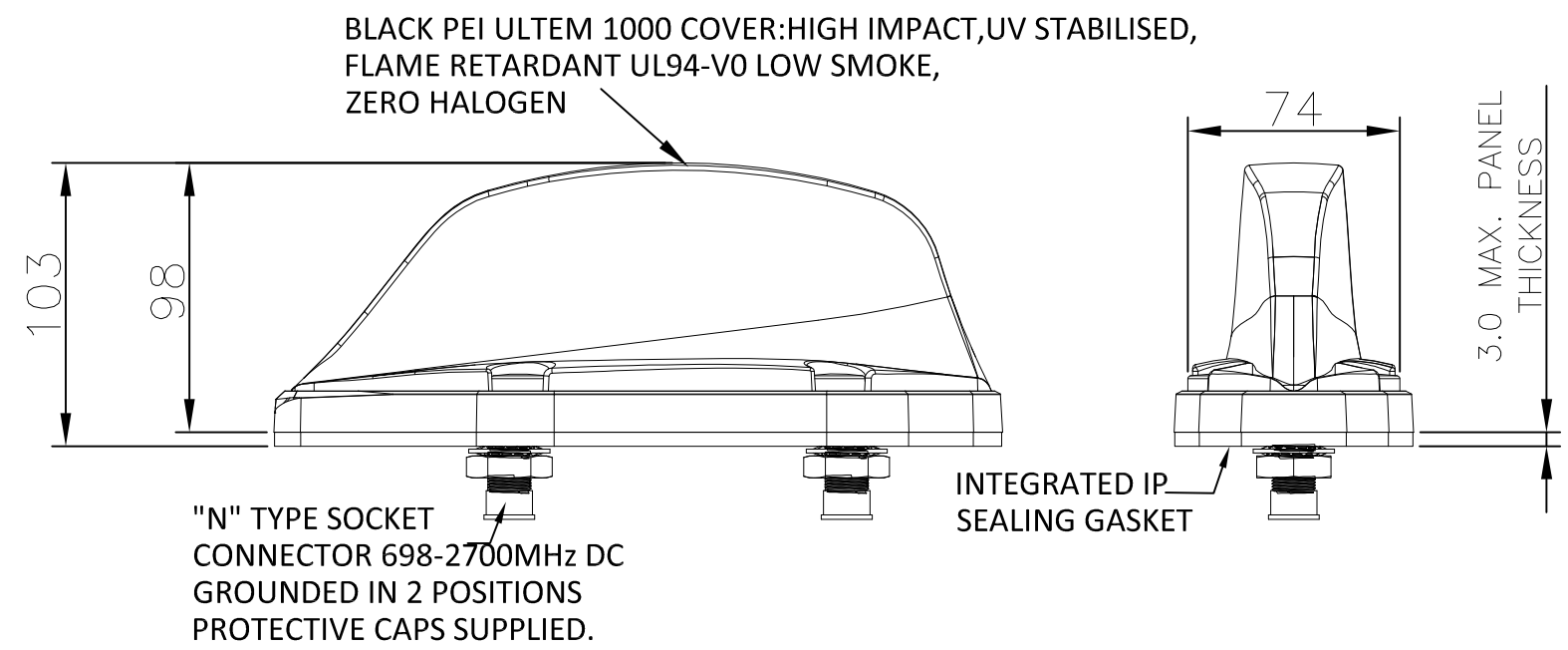
Address: A1208, Overseas Decoration Building, #122 Zhenhua RD., Futian, Shenzhen, China



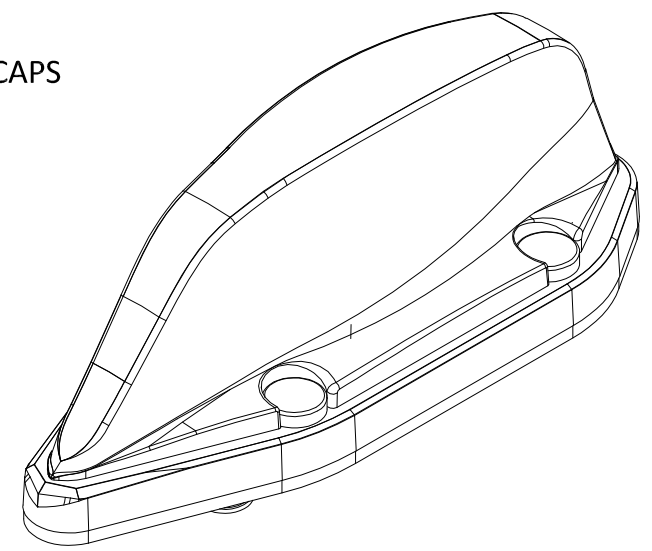
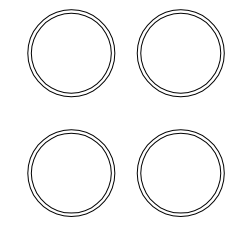
THIS DRAWING IS UNPUBLISHED. RELEASED FOR PUBLICATION FEB ,2006.
 © COPYRIGHT 2006 By - ALL RIGHTS RESERVED.

PROJECT	PRJ-16-000906992
PART NO	1-2823591-1
HV DESC	MiMo without GPS,2X 698-960/1710-6000 MHz
CUSTOMER	GENERAL MARKET

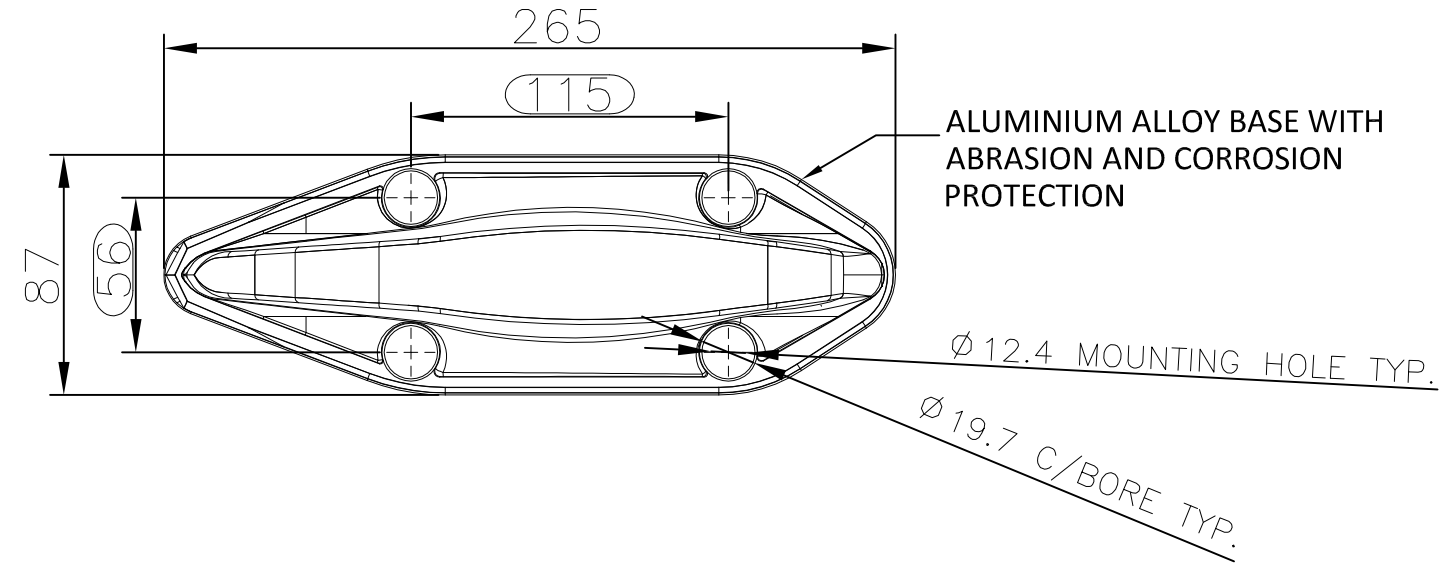
REVISIONS					
P	LTR	DESCRIPTION	DATE	DWN	APVD
	A2	REVISED PER ECR-16-014891	17NOV2016	KK	GG



4 X M12 SEALING WASHERS AND BOLT CAPS SUPPLIED LOOSE

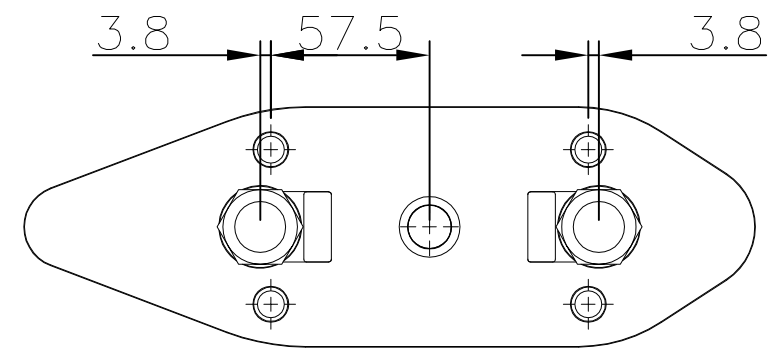


ISO VIEW



NOTES:

1. ALL PARTS MUST BE RoHS COMPLIANT AND MUST NOT CONTAIN ANY SUBSTANCES OF VERY HIGH CONCERN (SVHCs) LISTED UNDER REACH OR POLYAROMATIC HYDRACARBONS (PAHs) OR PERSISTENT ORGANIC POLLUTANTS (POPs) CONTROLLED BY THE STOCKHOLM CONVENTION.
2. DENOTES CRITICAL DIMENSION
3. WEIGHT 1072.87g (Approx)
4. FOR INSTALLATION INSTRUCTIONS,PLEASE REFER 408-156025



THIS DRAWING IS A CONTROLLED DOCUMENT.		DWN	GUNA	04MAR2016	TE Connectivity															
		CHK	GUNA	04MAR2016																
		APVD	GUNA	04MAR2016	NAME															
		PRODUCT SPEC			TRANSIT ANTENNA															
		APPLICATION SPEC			MiMo without GPS,2X 698-960/1710-6000 MHz															
DIMENSIONS: mm		TOLERANCES UNLESS OTHERWISE SPECIFIED:			SIZE	CAGE CODE	DRAWING NO	RESTRICTED TO												
<table border="1"> <tr><td>0 PLC</td><td>± 0.5</td></tr> <tr><td>1 PLC</td><td>± 0.2</td></tr> <tr><td>2 PLC</td><td>± 0.1</td></tr> <tr><td>3 PLC</td><td>± -</td></tr> <tr><td>4 PLC</td><td>± -</td></tr> <tr><td>ANGLES</td><td>± 1°</td></tr> </table>		0 PLC	± 0.5	1 PLC	± 0.2	2 PLC	± 0.1	3 PLC	± -	4 PLC	± -	ANGLES	± 1°	MATERIAL			FINISH			
0 PLC	± 0.5																			
1 PLC	± 0.2																			
2 PLC	± 0.1																			
3 PLC	± -																			
4 PLC	± -																			
ANGLES	± 1°																			
MATERIAL		FINISH			WEIGHT															
-		-			A3 00779 C-2823591			-												
CUSTOMER DRAWING					SCALE	NTS	SHEET	1 OF 1												
					REV	A2														