



Chipsmall Limited consists of a professional team with an average of over 10 year of expertise in the distribution of electronic components. Based in Hongkong, we have already established firm and mutual-benefit business relationships with customers from,Europe,America and south Asia,supplying obsolete and hard-to-find components to meet their specific needs.

With the principle of “Quality Parts,Customers Priority,Honest Operation,and Considerate Service”,our business mainly focus on the distribution of electronic components. Line cards we deal with include Microchip,ALPS,ROHM,Xilinx,Pulse,ON,Everlight and Freescale. Main products comprise IC,Modules,Potentiometer,IC Socket,Relay,Connector.Our parts cover such applications as commercial,industrial, and automotives areas.

We are looking forward to setting up business relationship with you and hope to provide you with the best service and solution. Let us make a better world for our industry!



Contact us

Tel: +86-755-8981 8866 Fax: +86-755-8427 6832

Email & Skype: info@chipsmall.com Web: www.chipsmall.com

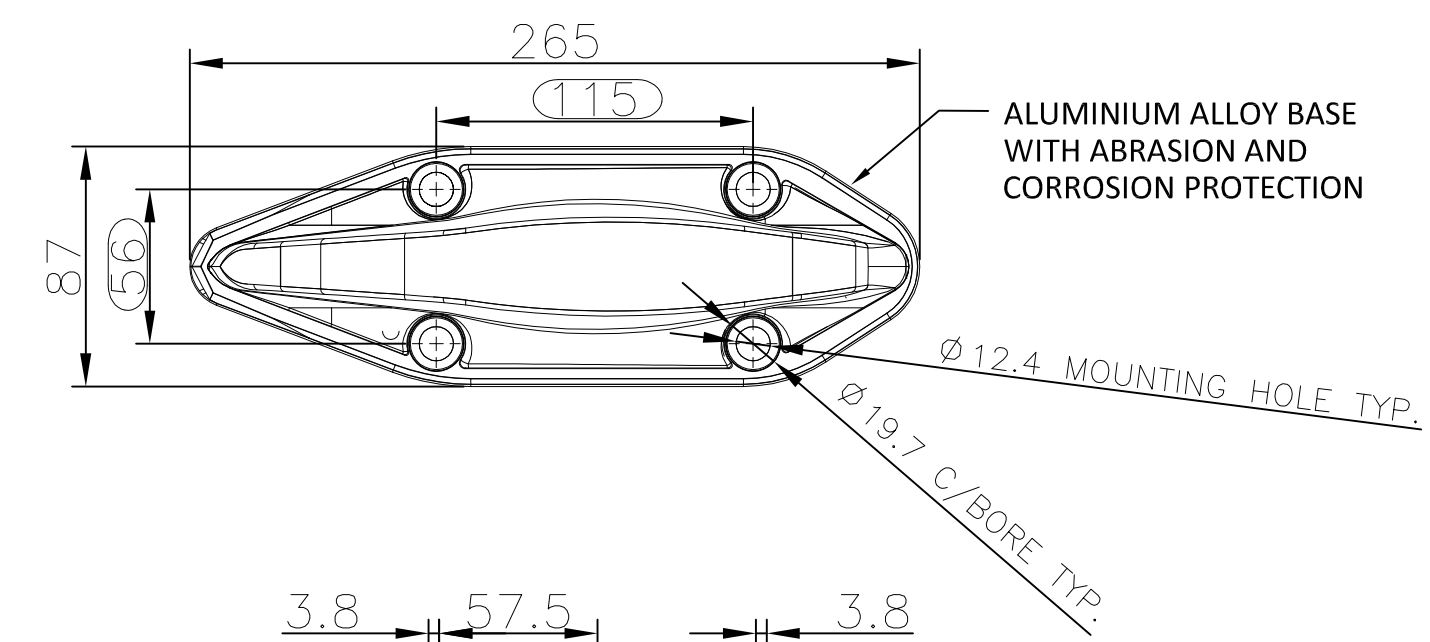
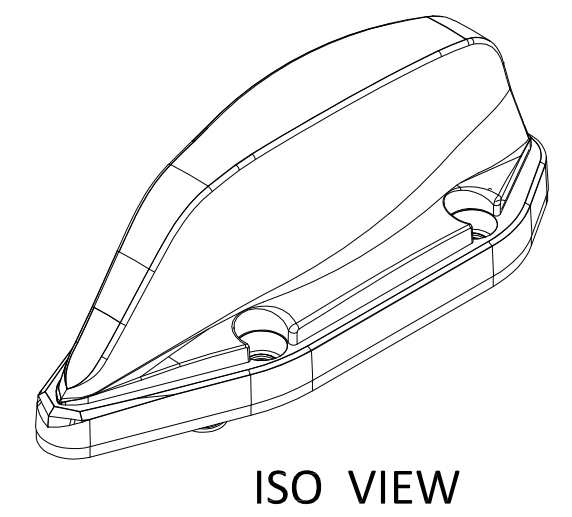
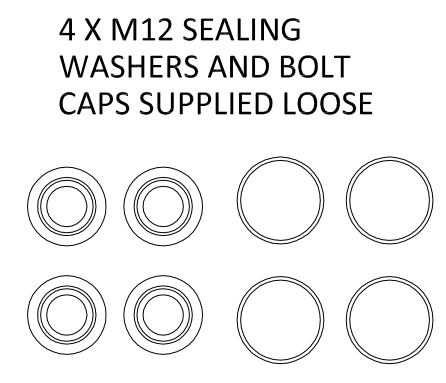
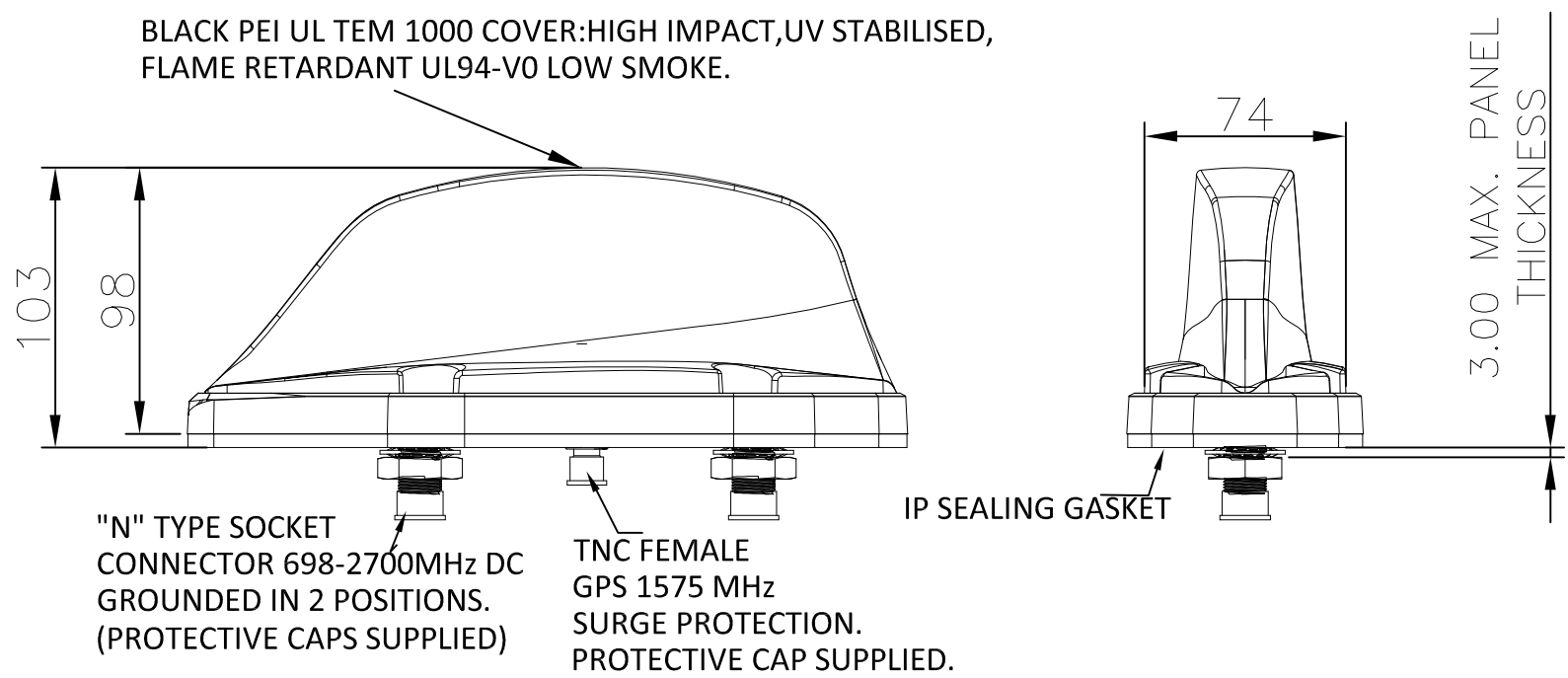
Address: A1208, Overseas Decoration Building, #122 Zhenhua RD., Futian, Shenzhen, China



THIS DRAWING IS UNPUBLISHED. RELEASED FOR PUBLICATION FEB ,2006.
 © COPYRIGHT 2006 By - ALL RIGHTS RESERVED.

| | |
|----------|---|
| PROJECT | PRJ-16-000905033 |
| PART NO | 1-2823592-1 |
| HV DESC | MiMo with GPS/GNSS,2X 698-960/1710-6000 MHZ |
| CUSTOMER | GENERAL MARKET |

| REVISIONS | | | | | |
|-----------|-----|---------------|---------|-----|------|
| P | LTR | DESCRIPTION | DATE | DWN | APVD |
| | A1 | ECR-16-007284 | 20MAY16 | GG | GG |



NOTES:

1. ALL PARTS MUST BE RoHS COMPLIANT AND MUST NOT CONTAIN ANY SUBSTANCES OF VERY HIGH CONCERN (SVHCs) LISTED UNDER REACH OR POLYAROMATIC HYDRACARBONS (PAHs) OR PERSISTENT ORGANIC POLLUTANTS (POPs) CONTROLLED BY THE STOCKHOLM CONVENTION.
2. DENOTES CRITICAL DIMENSION
3. WEIGHT 1294g(Approx)
4. FOR INSTALLATION INSTRUCTIONS,PLEASE REFER 408-156025

| | | | | | |
|--|--|--|---|---------------|-----------|
| THIS DRAWING IS A CONTROLLED DOCUMENT. | | DWN GUNA 04MAR2016 | TE Connectivity | | |
| | | CHK GUNA 04MAR2016 | | | |
| | | APVD - 04MAR2016 | NAME | | |
| | | PRODUCT SPEC - | TRANSIT ANTENNA | | |
| | | APPLICATION SPEC - | MiMo with GPS/GNSS,2X 698-960/1710-6000 MHZ | | |
| DIMENSIONS: mm | | TOLERANCES UNLESS OTHERWISE SPECIFIED: | | SIZE | CAGE CODE |
| 0 PLC ± 5 | | 1 PLC ± - | | A3 | 00779 |
| 2 PLC ± - | | 3 PLC ± - | | DRAWING NO | |
| 3 PLC ± - | | 4 PLC ± - | | G-2823592 | |
| 4 PLC ± - | | ANGLES ± - | | RESTRICTED TO | |
| MATERIAL - | | FINISH - | | - | |
| | | WEIGHT | | SCALE | |
| | | CUSTOMER DRAWING | | NTS | |
| | | | | SHEET | |
| | | | | 1 OF 1 | |
| | | | | REV | |
| | | | | A1 | |