



Chipsmall Limited consists of a professional team with an average of over 10 year of expertise in the distribution of electronic components. Based in Hongkong, we have already established firm and mutual-benefit business relationships with customers from,Europe,America and south Asia,supplying obsolete and hard-to-find components to meet their specific needs.

With the principle of “Quality Parts,Customers Priority,Honest Operation,and Considerate Service”,our business mainly focus on the distribution of electronic components. Line cards we deal with include Microchip,ALPS,ROHM,Xilinx,Pulse,ON,Everlight and Freescale. Main products comprise IC,Modules,Potentiometer,IC Socket,Relay,Connector.Our parts cover such applications as commercial,industrial, and automotives areas.

We are looking forward to setting up business relationship with you and hope to provide you with the best service and solution. Let us make a better world for our industry!



## Contact us

Tel: +86-755-8981 8866 Fax: +86-755-8427 6832

Email & Skype: info@chipsmall.com Web: www.chipsmall.com

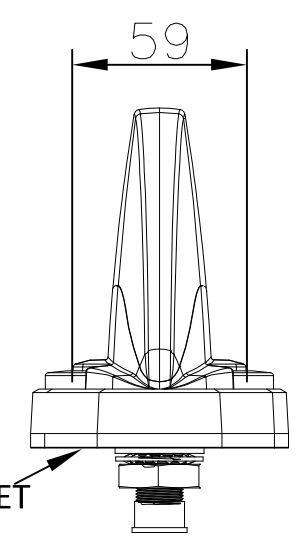
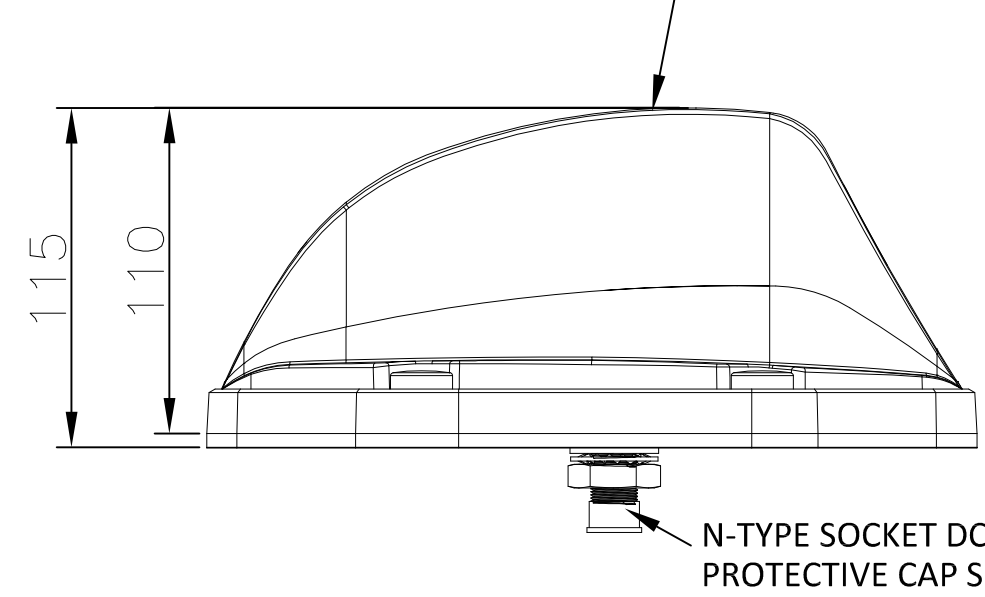
Address: A1208, Overseas Decoration Building, #122 Zhenhua RD., Futian, Shenzhen, China



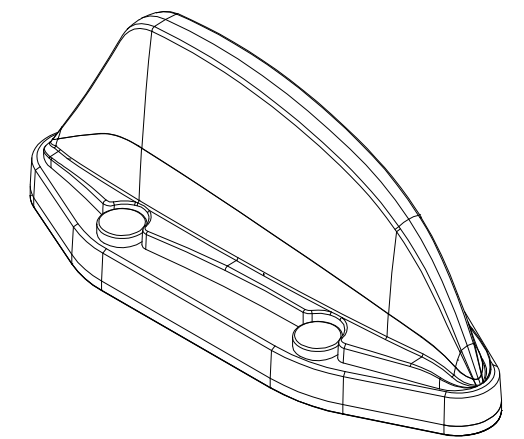
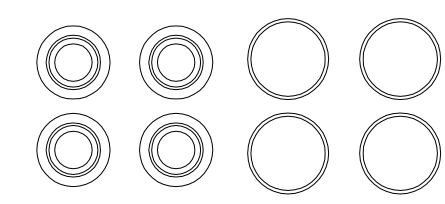
THIS DRAWING IS UNPUBLISHED.		RELEASED FOR PUBLICATION FEB ,2006.	
© COPYRIGHT 2006 By -		ALL RIGHTS RESERVED.	
PROJECT	PRJ-16-000906992		
PART NO	1-2823593-1		
HV DESC	SiSo without GPS, 698-960/1710-6000 MHz		
CUSTOMER	GENERAL MARKET		

REVISIONS					
P	LTR	DESCRIPTION	DATE	DWN	APVD
	A1	ECR-16-007284	20MAY2016	GG	GG

**BLACK UL TEM PEI 1000 COVER:HIGH IMPACT,UV STABILIZED,  
FLAME RETARDANT UL94-V0 ZERO HALOGEN**



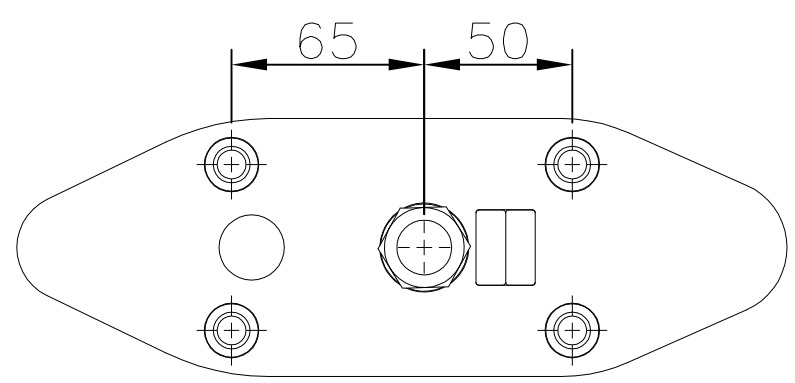
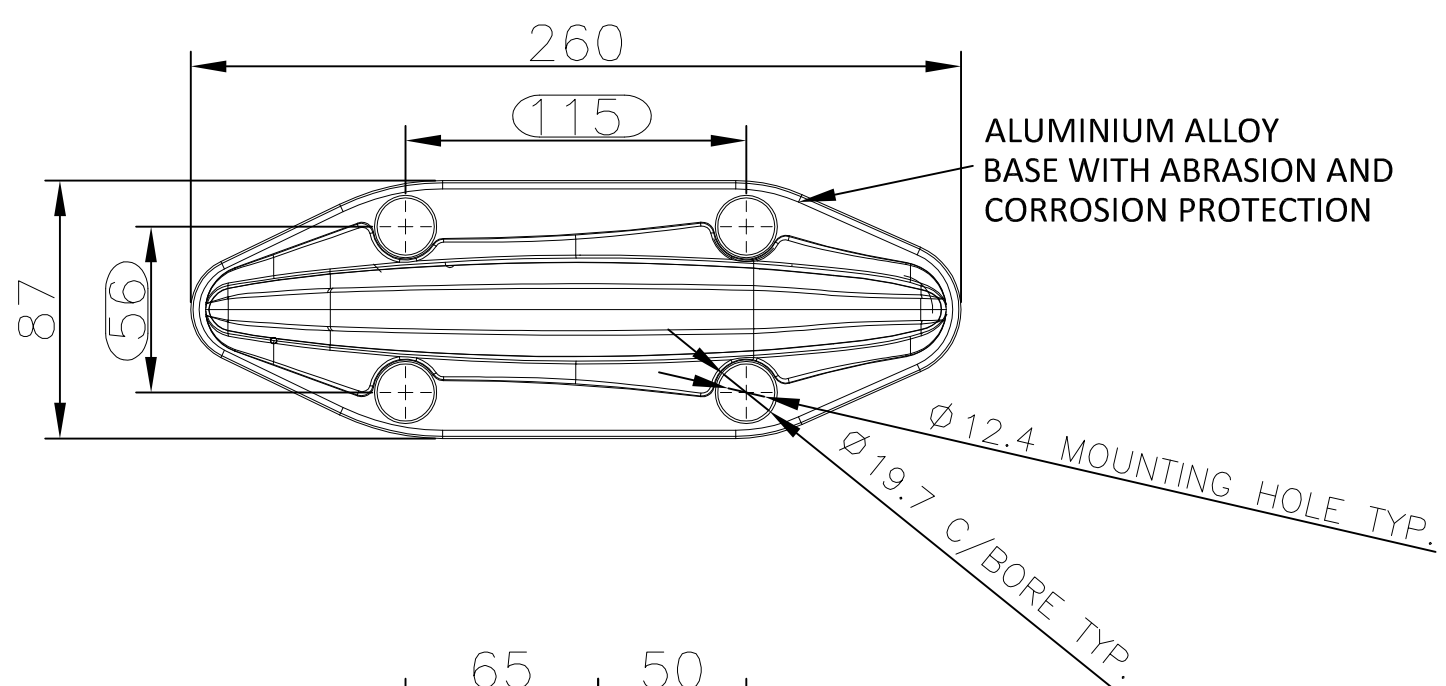
**4 X M12 SEALING  
WASHERS AND BOLT  
CAPS SUPPLIED LOOSE**



**ISO VIEW**

**NOTES:**

1. ALL PARTS MUST BE RoHS COMPLIANT AND MUST NOT CONTAIN ANY SUBSTANCES OF VERY HIGH CONCERN (SVHCs) LISTED UNDER REACH OR POLYAROMATIC HYDRACARBONS (PAHs) OR PERSISTENT ORGANIC POLLUTANTS (POPs) CONTROLLED BY THE STOCKHOLM CONVENTION.
2. DENOTES CRITICAL DIMENSION
3. WEIGHT 999 g (Approx)
4. FOR INSTALLATION INSTRUCTIONS,PLEASE REFER 408-156026



THIS DRAWING IS A CONTROLLED DOCUMENT.		DWN	GUNA	04MAR2016	TE Connectivity NAME TRANSIT ANTENNA SiSo without GPS, 698-960/1710-6000 MHz				
DIMENSIONS: mm		CHK	GUNA	04MAR2016					
TOLERANCES UNLESS OTHERWISE SPECIFIED:		APVD	GUNA	04MAR2016					
0 PLC ± 5 1 PLC ± - 2 PLC ± - 3 PLC ± - 4 PLC ± - ANGLES ± -		PRODUCT SPEC		NAME					
MATERIAL		FINISH		APPLICATION SPEC		SIZE	CAGE CODE	DRAWING NO	RESTRICTED TO
-		-		-		A3	00779	C-2823593	-
CUSTOMER DRAWING				SCALE	NTS	SHEET	1 OF 1	REV	A1