



Chipsmall Limited consists of a professional team with an average of over 10 year of expertise in the distribution of electronic components. Based in Hongkong, we have already established firm and mutual-benefit business relationships with customers from,Europe,America and south Asia,supplying obsolete and hard-to-find components to meet their specific needs.

With the principle of “Quality Parts,Customers Priority,Honest Operation,and Considerate Service”,our business mainly focus on the distribution of electronic components. Line cards we deal with include Microchip,ALPS,ROHM,Xilinx,Pulse,ON,Everlight and Freescale. Main products comprise IC,Modules,Potentiometer,IC Socket,Relay,Connector.Our parts cover such applications as commercial,industrial, and automotives areas.

We are looking forward to setting up business relationship with you and hope to provide you with the best service and solution. Let us make a better world for our industry!



Contact us

Tel: +86-755-8981 8866 Fax: +86-755-8427 6832

Email & Skype: info@chipsmall.com Web: www.chipsmall.com

Address: A1208, Overseas Decoration Building, #122 Zhenhua RD., Futian, Shenzhen, China

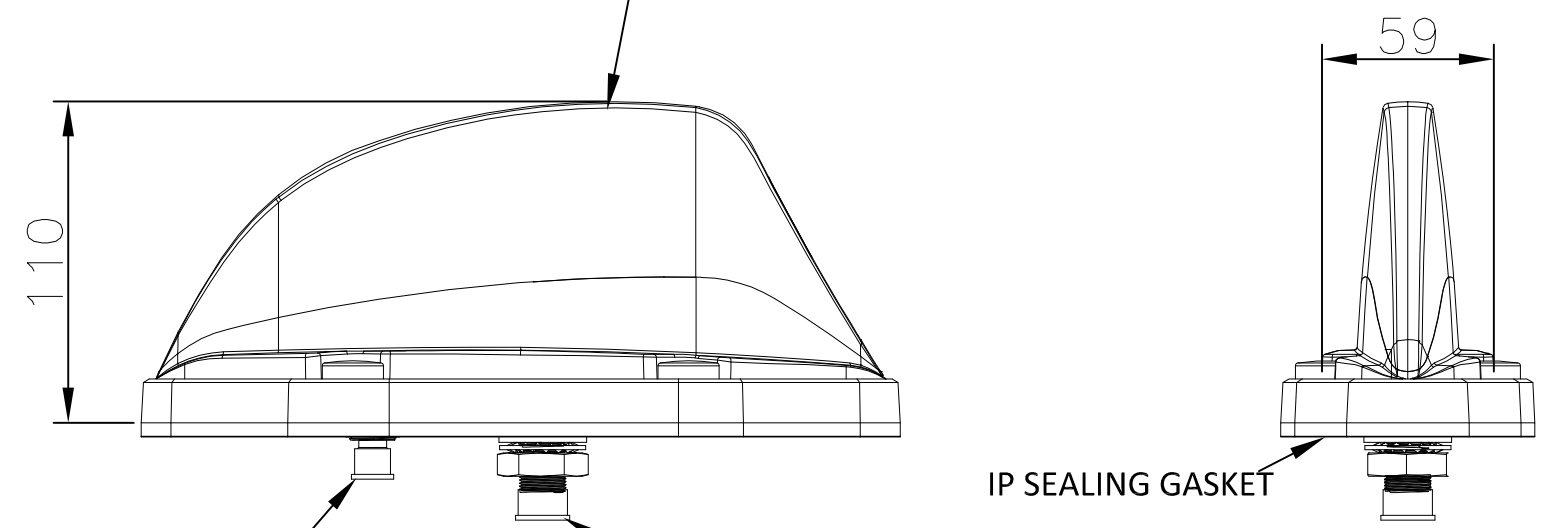


THIS DRAWING IS UNPUBLISHED. RELEASED FOR PUBLICATION FEB ,2006.
 © COPYRIGHT 2006 By - ALL RIGHTS RESERVED.

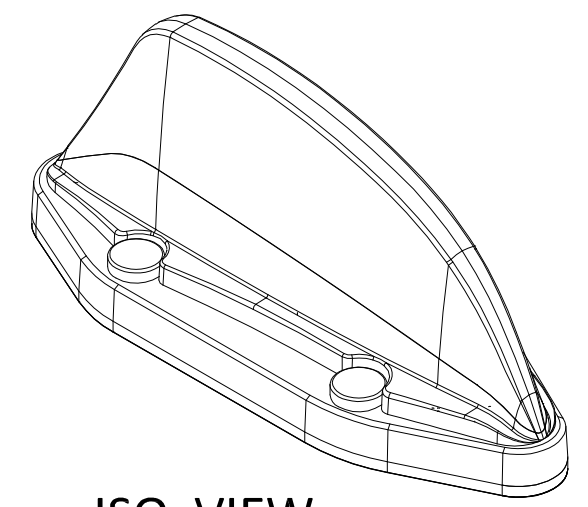
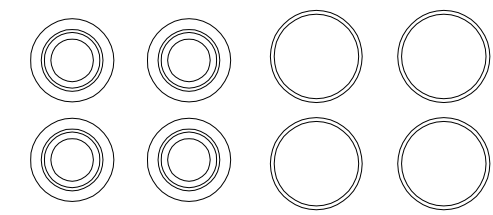
PROJECT	PRJ-16-000906992
PART NO	1-2823594-1
HV DESC	SiSo with GPS/GNSS,698-960/1710-6000 MHz
CUSTOMER	GENERAL MARKET

P	LTR	DESCRIPTION	DATE	DWN	APVD
	A1	ECR-16-007284	20MAY2016	GG	GG

BLACK UL TEM PEI 1000 COVER:HIGH IMPACT,UV STABILIZED,
 FLAME RETARDANT UL94-V0 ZERO HALOGEN



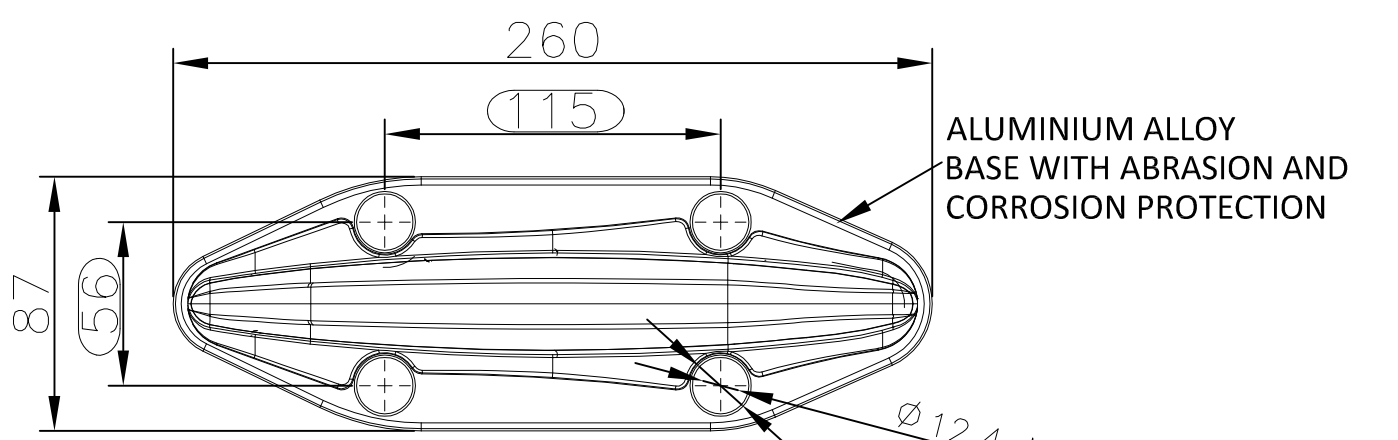
4 X M12 SEALING
 WASHERS AND BOLT
 CAPS SUPPLIED LOOSE



ISO VIEW

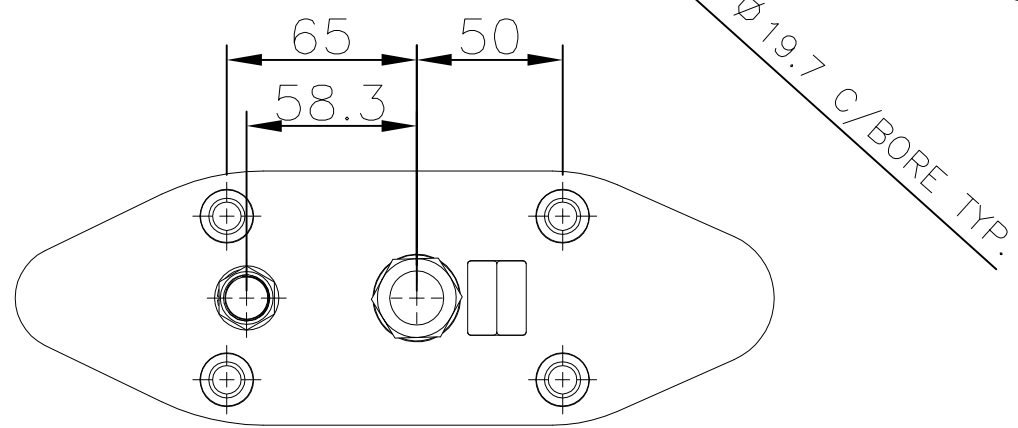
TNC SOCKET
 GPS/GNSS SURGE PROTECTION.
 PROTECTIVE CAP SUPPLIED.

N-TYPE SOCKET DC GROUNDED
 PROTECTIVE CAP SUPPLIED



NOTES:

1. ALL PARTS MUST BE RoHS COMPLIANT AND MUST NOT CONTAIN ANY SUBSTANCES OF VERY HIGH CONCERN (SVHCs) LISTED UNDER REACH OR POLYAROMATIC HYDRACARBONS (PAHs) OR PERSISTENT ORGANIC POLLUTANTS (POPs) CONTROLLED BY THE STOCKHOLM CONVENTION.
2. DENOTES CRITICAL DIMENSION
3. WEIGHT 1107 g (Approx).
4. FOR INSTALLATION INSTRUCTIONS,PLEASE REFER 408-156026



THIS DRAWING IS A CONTROLLED DOCUMENT.		DWN	GUNA	04MAR2016	TE Connectivity															
		CHK	GUNA	04MAR2016																
		APVD	-	04MAR2016	NAME															
		PRODUCT SPEC			TRANSIT ANTENNA															
		APPLICATION SPEC			SiSo with GPS/GNSS,698-960/1710-6000 MHz															
DIMENSIONS: mm		TOLERANCES UNLESS OTHERWISE SPECIFIED:			SIZE	CAGE CODE	DRAWING NO	RESTRICTED TO												
<table border="1"> <tr><td>0 PLC</td><td>± 5</td></tr> <tr><td>1 PLC</td><td>± -</td></tr> <tr><td>2 PLC</td><td>± -</td></tr> <tr><td>3 PLC</td><td>± -</td></tr> <tr><td>4 PLC</td><td>± -</td></tr> <tr><td>ANGLES</td><td>± -</td></tr> </table>		0 PLC	± 5	1 PLC	± -	2 PLC	± -	3 PLC	± -	4 PLC	± -	ANGLES	± -	MATERIAL			WEIGHT	A3 00779 C-2823594		-
0 PLC	± 5																			
1 PLC	± -																			
2 PLC	± -																			
3 PLC	± -																			
4 PLC	± -																			
ANGLES	± -																			
MATERIAL		FINISH			CUSTOMER DRAWING			SCALE												
								NTS												
								SHEET												
								1 OF 1												
								REV												
								A1												