



Chipsmall Limited consists of a professional team with an average of over 10 year of expertise in the distribution of electronic components. Based in Hongkong, we have already established firm and mutual-benefit business relationships with customers from,Europe,America and south Asia,supplying obsolete and hard-to-find components to meet their specific needs.

With the principle of “Quality Parts,Customers Priority,Honest Operation,and Considerate Service”,our business mainly focus on the distribution of electronic components. Line cards we deal with include Microchip,ALPS,ROHM,Xilinx,Pulse,ON,Everlight and Freescale. Main products comprise IC,Modules,Potentiometer,IC Socket,Relay,Connector.Our parts cover such applications as commercial,industrial, and automotives areas.

We are looking forward to setting up business relationship with you and hope to provide you with the best service and solution. Let us make a better world for our industry!



Contact us

Tel: +86-755-8981 8866 Fax: +86-755-8427 6832

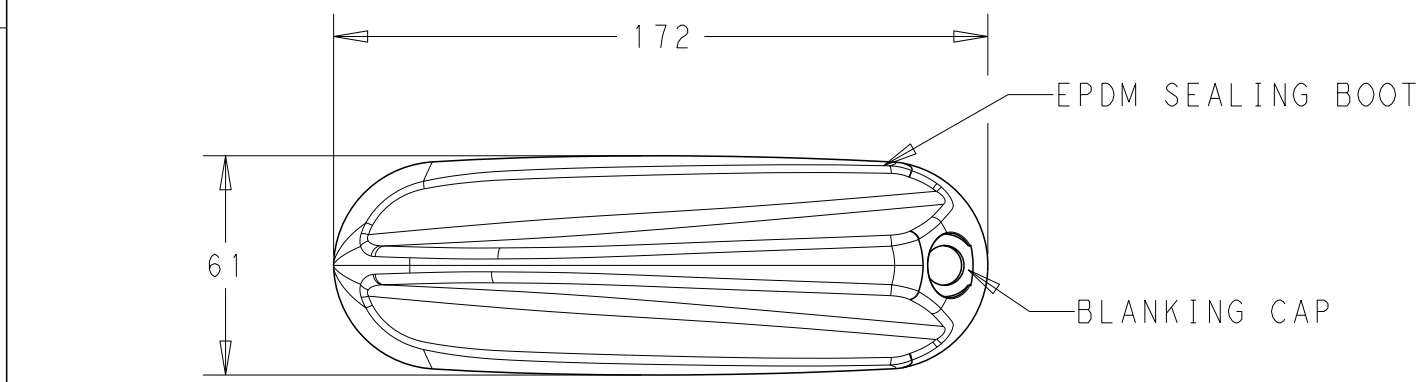
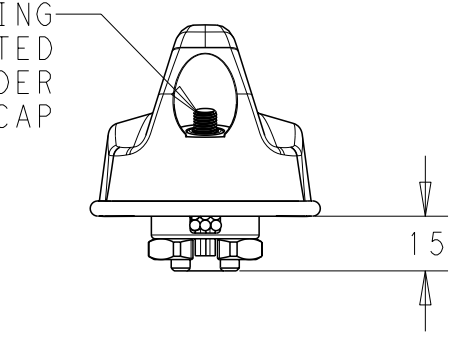
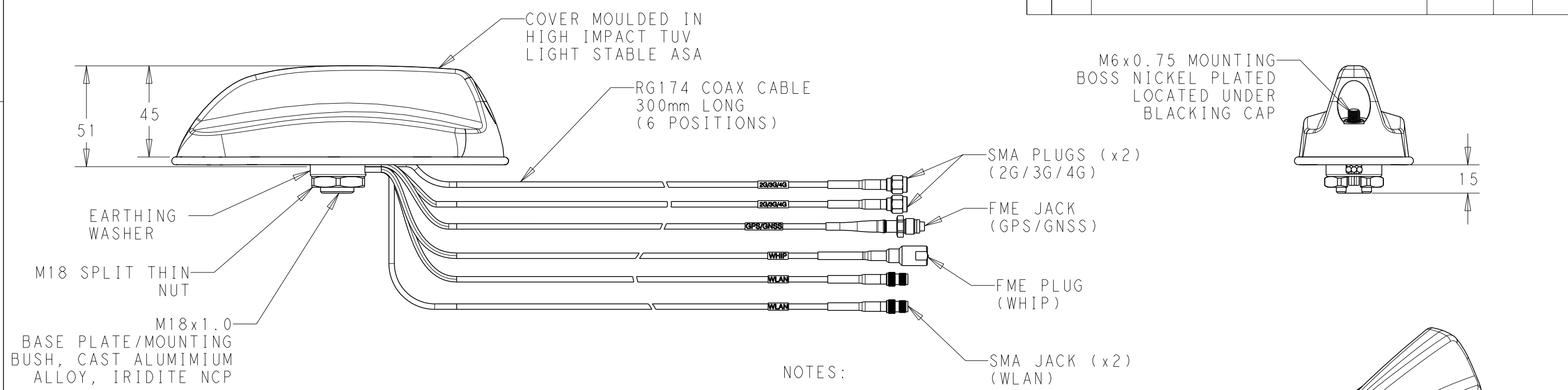
Email & Skype: info@chipsmall.com Web: www.chipsmall.com

Address: A1208, Overseas Decoration Building, #122 Zhenhua RD., Futian, Shenzhen, China

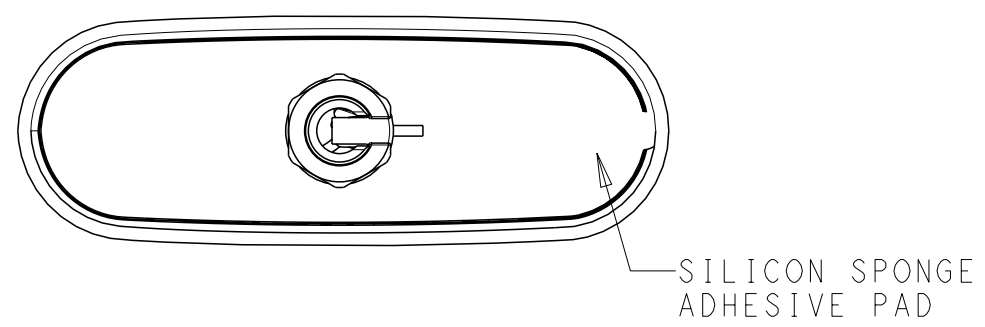
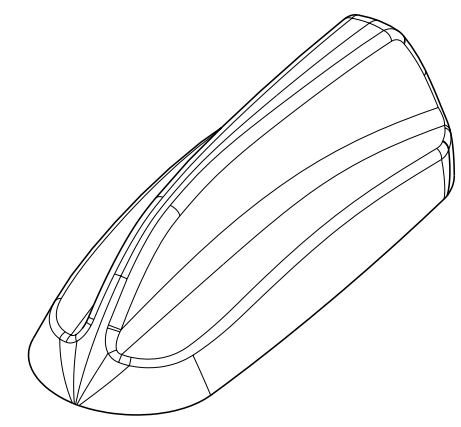



THIS DRAWING IS UNPUBLISHED.		RELEASED FOR PUBLICATION	
© COPYRIGHT 20		ALL RIGHTS RESERVED.	
PROJECT	PRJ-16-000906992		
PART NO.	1-2823602-1		
HV DESC	MiMo with GPS/GNSS 2G/3G/4G WLAN ANT		
CUSTOMER	GENERAL MARKET		

P	LTR	DESCRIPTION	DATE	DWN	APVD
	A	NEW RELEASE	12JUL2016	KK	GG
	A1	ECR-16-013123	14SEP2016	KK	GG



- NOTES:
- ALL PARTS MUST BE RoHS COMPLIANT AND MUST NOT CONTAIN ANY SUBSTANCES OF VERY HIGH CONCERN (SVHCs) LISTED UNDER REACH OR POLY-AROMATIC HYDROCARBONS (PAHs), OR PERSISTANT ORGANIC POLLUTANTS (POPs) CONTROLLED BY THE STOCKHOLM CONVENTION.
 - WEIGHT 262.7 gr.
 - FOR INSTALLATION INSTRUCTIONS, PLEASE REFER 408-156029.

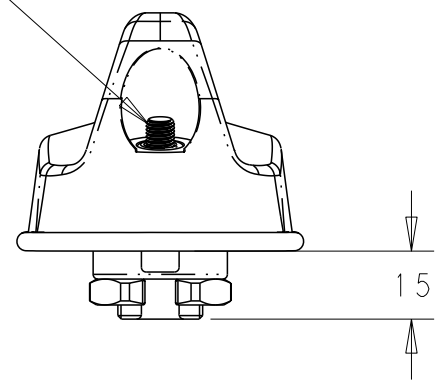
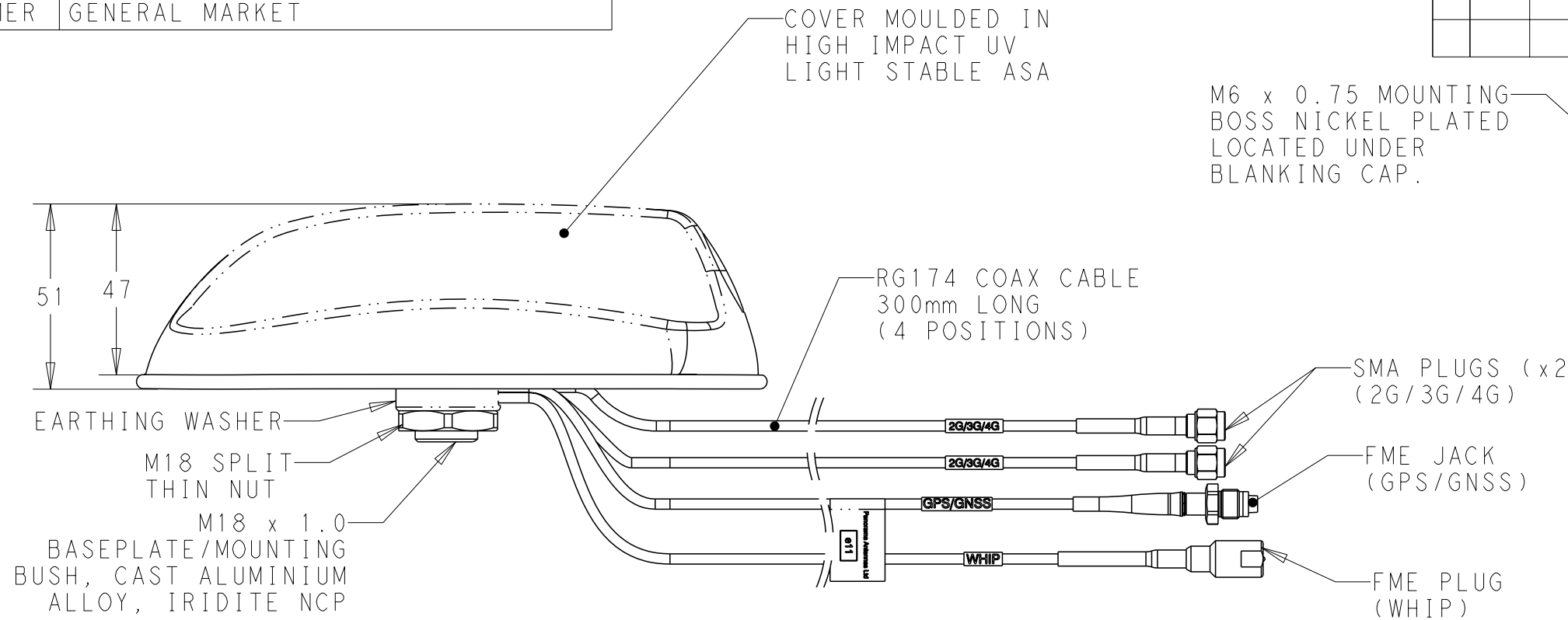


THIS DRAWING IS A CONTROLLED DOCUMENT.		1-2823602-1		MiMo with GPS/GNSS 2G/3G/4G WLAN ANT		BLACK COLOR	
DIMENSIONS: mm		TE PN'S		DESCRIPTION		REMARKS	
TOLERANCES UNLESS OTHERWISE SPECIFIED:		DWN KIRAN K 12JUL2016		 TE Connectivity		NAME: MiMo with GPS/GNSS 2G/3G/4G WLAN ANT	
0 PLC ±0.5		CHK GUNASEKHAR G 12JUL2016					
1 PLC ±0.2		APVD GUNASEKHAR G 12JUL2016					
2 PLC ±0.1		PRODUCT SPEC		SIZE		RESTRICTED TO	
3 PLC ±		APPLICATION SPEC		CAGE CODE		-	
4 PLC ±		WEIGHT		DRAWING NO		-	
ANGLES ±1°		CUSTOMER DRAWING		A300779		-	
FINISH		SCALE NTS		G=2823602		SHEET 1 OF 2	
-		SHEET 1 OF 2		REV A1		-	

THIS DRAWING IS UNPUBLISHED. RELEASED FOR PUBLICATION 20
 © COPYRIGHT 20 BY - ALL RIGHTS RESERVED.

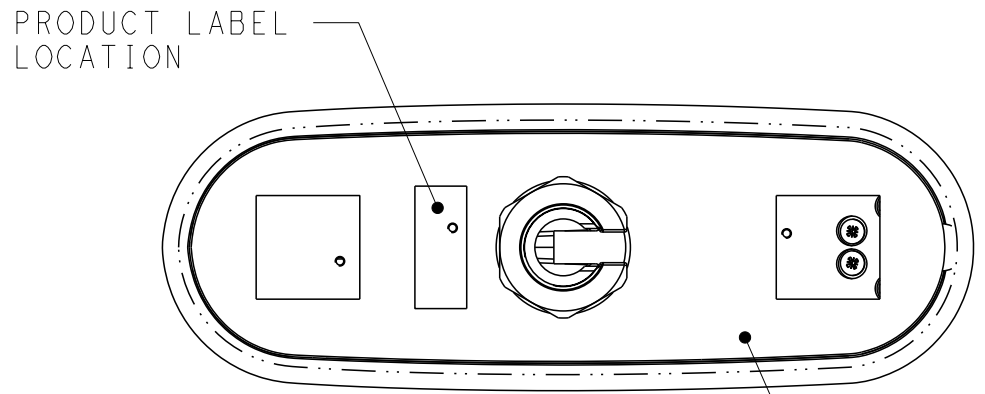
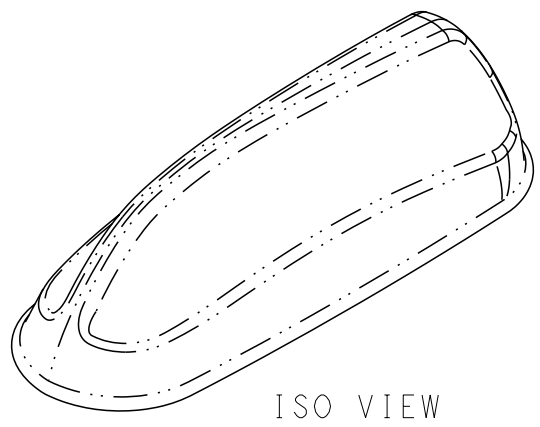
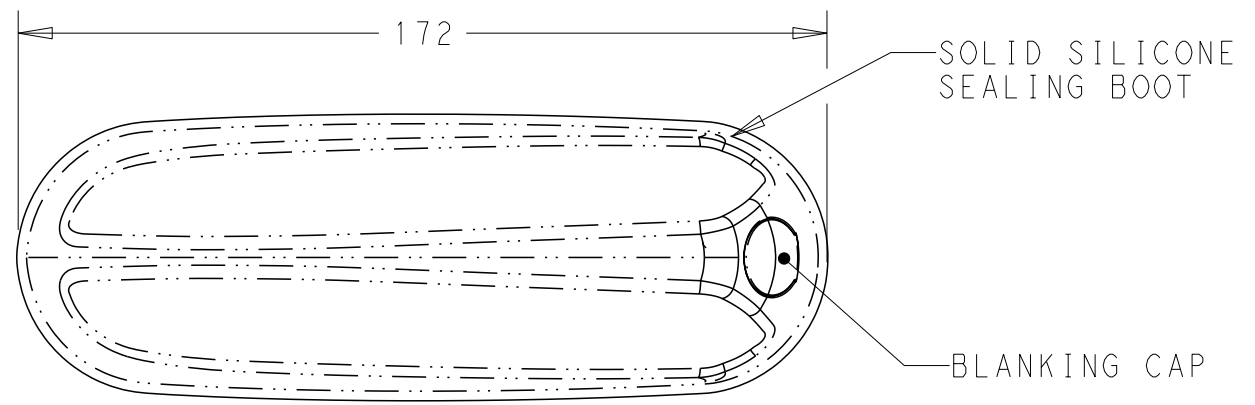
PROJECT	PRJ-16-000906992
PART NO.	1-2823602-2
HV DESC	2x2 CELLULAR MiMo + GPS + WHIP
CUSTOMER	GENERAL MARKET

REVISIONS					
P	LTR	DESCRIPTION	DATE	DWN	APVD
-	-	SEE SHEET 1	-	-	-



NOTES:

- ALL MATERIALS SUPPLIED MUST BE RoHS2 (DIRECTIVE 2011/65/EU) COMPLIANT AND MUST NOT CONTAIN ANY SUBSTANCES OF VERY HIGH CONCERN (SVHCs) LISTED UNDER REACH OR POLY-AROMATIC HYDROCARBONS (PAHs), OR PERSISTENT ORGANIC POLLUTANTS (POPs) CONTROLLED BY THE STOCKHOLM CONVENTI.
 - WEIGHT: 219.36 gr.
- OPERATING FREQUENCIES:
- 698 - 960 / 1710 - 2700 MHz x2
 1562 - 1612 MHz 26dB LNA



1-2823602-2	2x2 CELLULAR MiMo + GPS + WHIP	BLACK COLOR
TE PN'S	DESCRIPTION	REMARKS

THIS DRAWING IS A CONTROLLED DOCUMENT.		DWN 14SEP2016 KIRAN K		NAME 2x2 CELLULAR MiMo + GPS+ WHIP
DIMENSIONS: mm		CHK 14SEP2016 GUNASEKHAR G		
TOLERANCES UNLESS OTHERWISE SPECIFIED:		APVD 14SEP2016 GUNASEKHAR G		
0 PLC ±0.5 1 PLC ±0.2 2 PLC ±0.1 3 PLC ± 4 PLC ± ANGLES ±1°		PRODUCT SPEC		
MATERIAL		FINISH	APPLICATION SPEC	RESTRICTED TO
-		-	WEIGHT	SIZE CAGE CODE DRAWING NO
-		-	CUSTOMER DRAWING	A300779 C-2823602
		SCALE NTS	SHEET 2 OF 2	REV A1