



Chipsmall Limited consists of a professional team with an average of over 10 year of expertise in the distribution of electronic components. Based in Hongkong, we have already established firm and mutual-benefit business relationships with customers from,Europe,America and south Asia,supplying obsolete and hard-to-find components to meet their specific needs.

With the principle of “Quality Parts,Customers Priority,Honest Operation,and Considerate Service”,our business mainly focus on the distribution of electronic components. Line cards we deal with include Microchip,ALPS,ROHM,Xilinx,Pulse,ON,Everlight and Freescale. Main products comprise IC,Modules,Potentiometer,IC Socket,Relay,Connector.Our parts cover such applications as commercial,industrial, and automotives areas.

We are looking forward to setting up business relationship with you and hope to provide you with the best service and solution. Let us make a better world for our industry!



Contact us

Tel: +86-755-8981 8866 Fax: +86-755-8427 6832

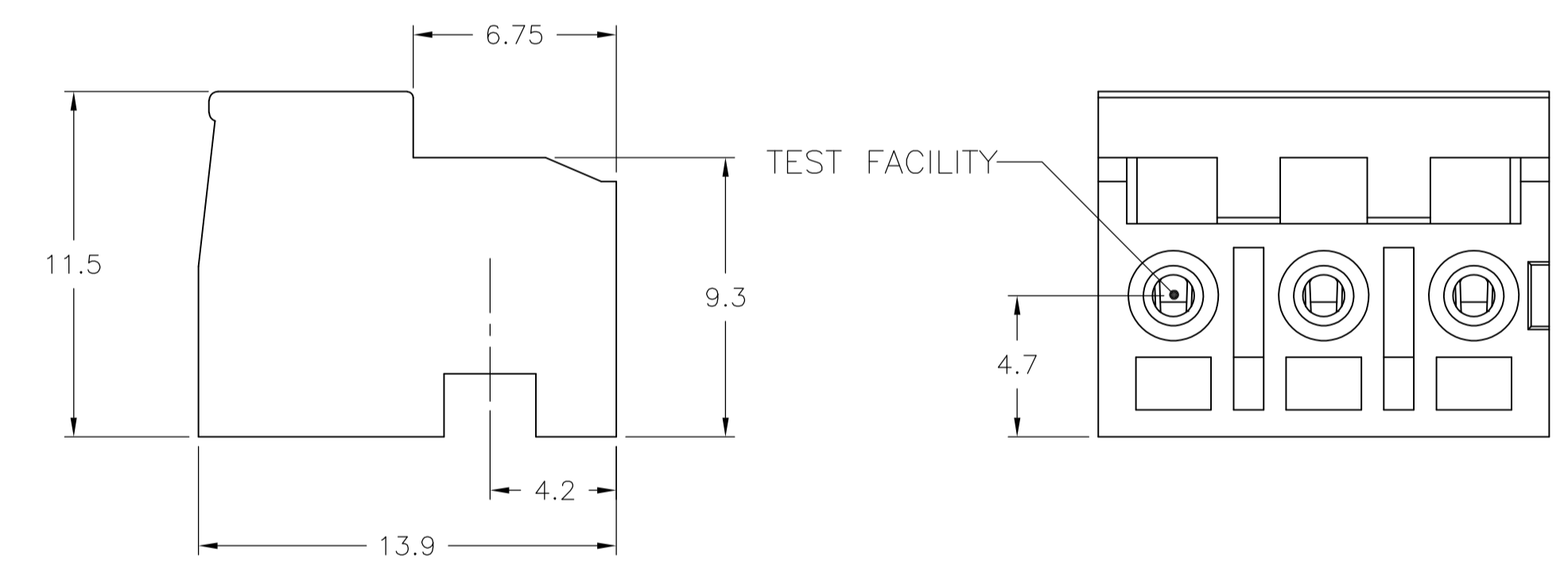
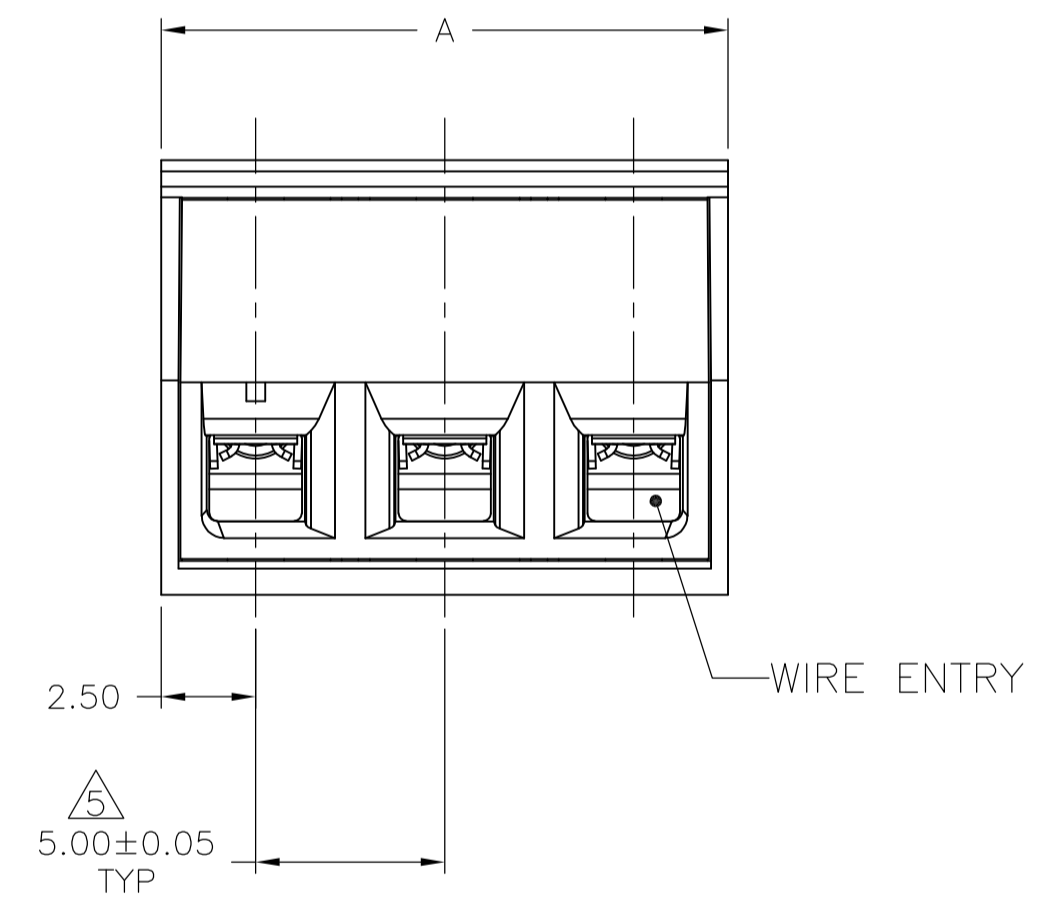
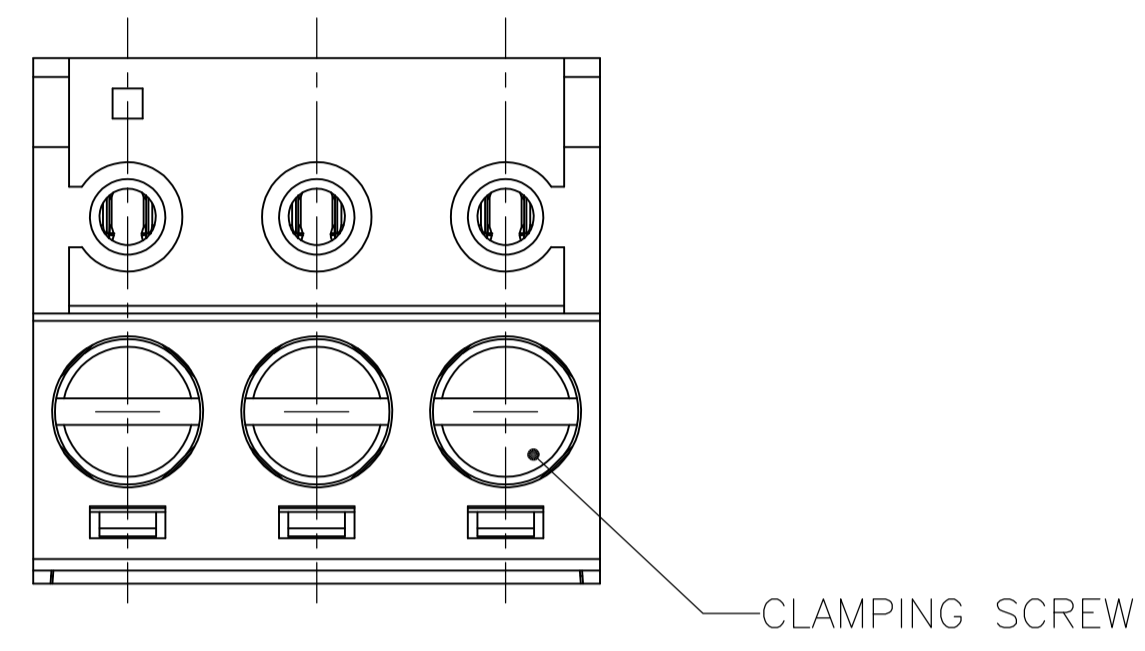
Email & Skype: info@chipsmall.com Web: www.chipsmall.com

Address: A1208, Overseas Decoration Building, #122 Zhenhua RD., Futian, Shenzhen, China



LOC		DIST		REVISIONS			
F	LTR	DESCRIPTION	DATE	DWN	APVD		
L4		REVISED PER ECO-11-004820	11MAR11	RK	HMR		

- 1. MATERIALS AND FINISH
HOUSING: PA 6-6, UL 94-V0, COLOR: GREEN.
CLAMP: BRASS, NICKEL PLATED.
CONTACT: PHOSPHOR BRONZE, TIN PLATED.
CLAMPING SCREW: M3, BRASS, NICKEL PLATED.
- 2. WIRE SIZE RANGE: 12-30 AWG
- 3. RECOGNIZED UNDER THE COMPONENT PROGRAM OF UNDERWRITERS LABORATORIES INC. FILE NO. E60677.
- 4. IMQ CERTIFICATE WITH SURVEILLANCE IN CONFORMITY WITH IEC 998-1/998-2-1.
- 5. NOT CUMULATIVE TOLERANCE.
- 6. INK MARKING, BLACK COLOR.
- 7. INK MARKING, WHITE COLOR.
- 8. WIRE ENTRY IN THE CLOSED POSITION.
- 9. SEE FIGURE.
- 10. END TO END STACKABLE W/O LOSS OF CENTERLINE SPACING.

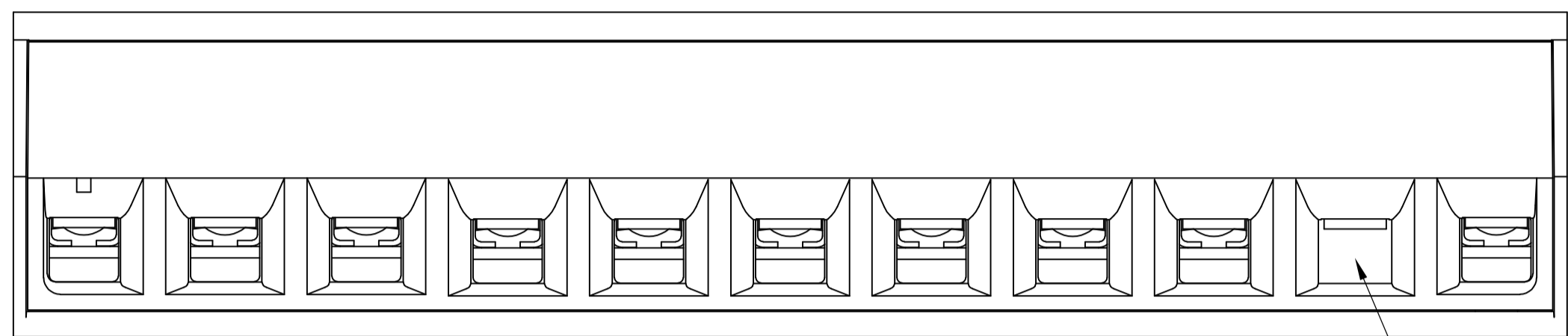


0.254um GOLD	-	10	2	3-282830-6
TIN	-	30	6	3-282830-5
TIN	-	15	3	3-282830-4
TIN	-	10	2	3-282830-3
TIN	-	45	9	3-282830-2
TIN	-	30	6	3-282830-1
TIN	-	125	3	3-282830-0
GOLD	-	15	3	2-282830-9
TIN	1, 3 THRU 11	55	10	2-282830-8
TIN	1 THRU 9, 11	55	10	2-282830-7
TIN	-	125	25	2-282830-6
TIN	-	120	24	2-282830-5
TIN	-	115	23	2-282830-4
TIN	-	110	22	2-282830-3
TIN	-	105	21	2-282830-2
TIN	-	100	20	2-282830-1
TIN	-	95	19	2-282830-0
TIN	-	90	18	1-282830-9
TIN	-	85	17	1-282830-8
TIN	-	80	16	1-282830-7
TIN	-	75	15	1-282830-6
TIN	-	70	14	1-282830-5
TIN	-	65	13	1-282830-4
TIN	-	20	4	1-282830-3
TIN	-	60	12	1-282830-2
TIN	-	55	11	1-282830-1
TIN	-	50	10	1-282830-0
TIN	-	45	9	282830-9
TIN	-	40	8	282830-8
TIN	-	35	7	282830-7
TIN	-	30	6	282830-6
TIN	-	25	5	282830-5
TIN	-	20	4	282830-4
TIN	-	15	3	282830-3
TIN	-	10	2	282830-2
CONTACT PLATING	SELECT LOADED	A	NO OF POSN	PART NUMBER

THIS DRAWING IS A CONTROLLED DOCUMENT.

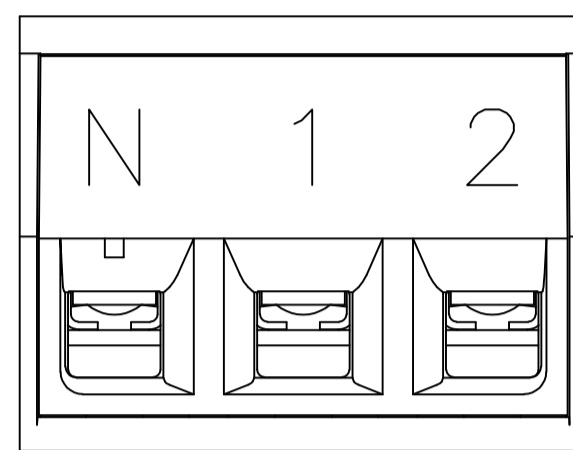
DIMENSIONS: mm 0. PLC ± - 1. PLC ± 0.3 2. PLC ± 0.25 3. PLC ± - 4. PLC ANGLES ± 1°	TOLERANCES UNLESS OTHERWISE SPECIFIED: 0. PLC ± - 1. PLC ± 0.3 2. PLC ± 0.25 3. PLC ± - 4. PLC ANGLES ± 1°	DWN: S SCHLEGEL 28AUG2009 CHK: C RICHARD 8/28/09 APVD: C RICHARD 8/28/09 NAME: RICHARD	STC TE Connectivity TERMINAL BLOCK PLUG 90/180 DEGREE 5.0mm PITCH
MATERIAL: -	FINISH: -	SIZE: A1	CAGE CODE: 00779
CUSTOMER DRAWING		SCALE: 4:1	SHEET 1 OF 2

LOC		DIST		REVISIONS			
P	LTR	DESCRIPTION	DATE	DN	APVD		
-	-	SEE SHEET 1	-	-	-	-	-

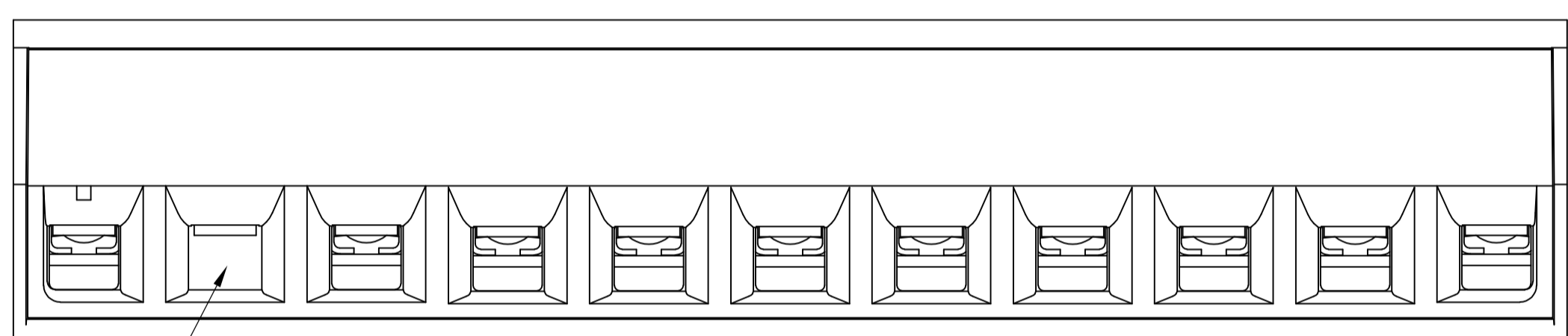


2-282830-7

POSITION 10 IS EMPTY

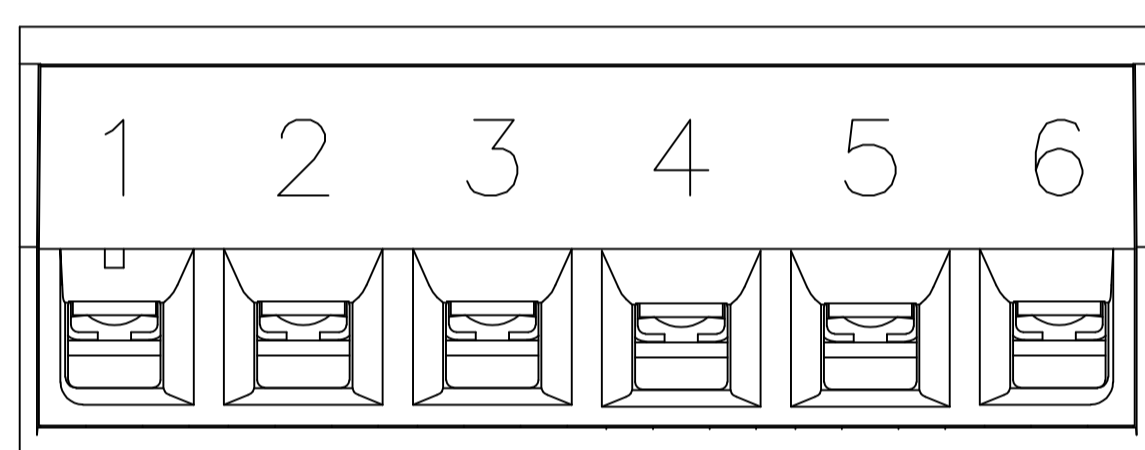


3-282830-0

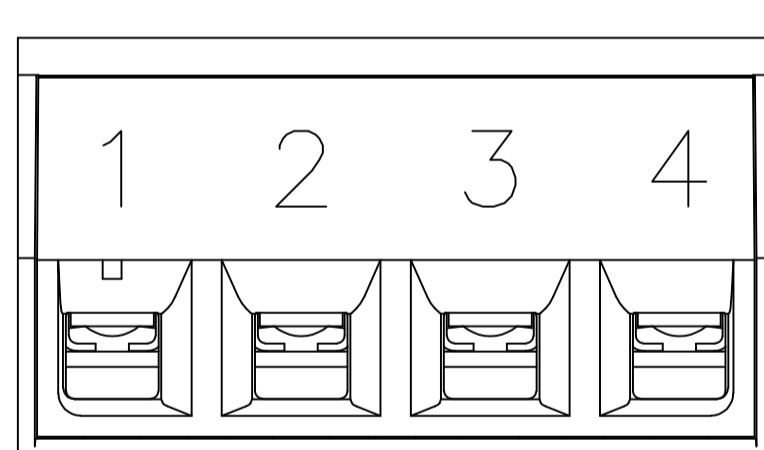


2-282830-8

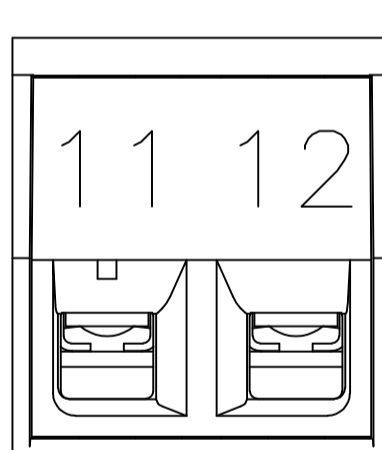
POSITION 2 IS EMPTY



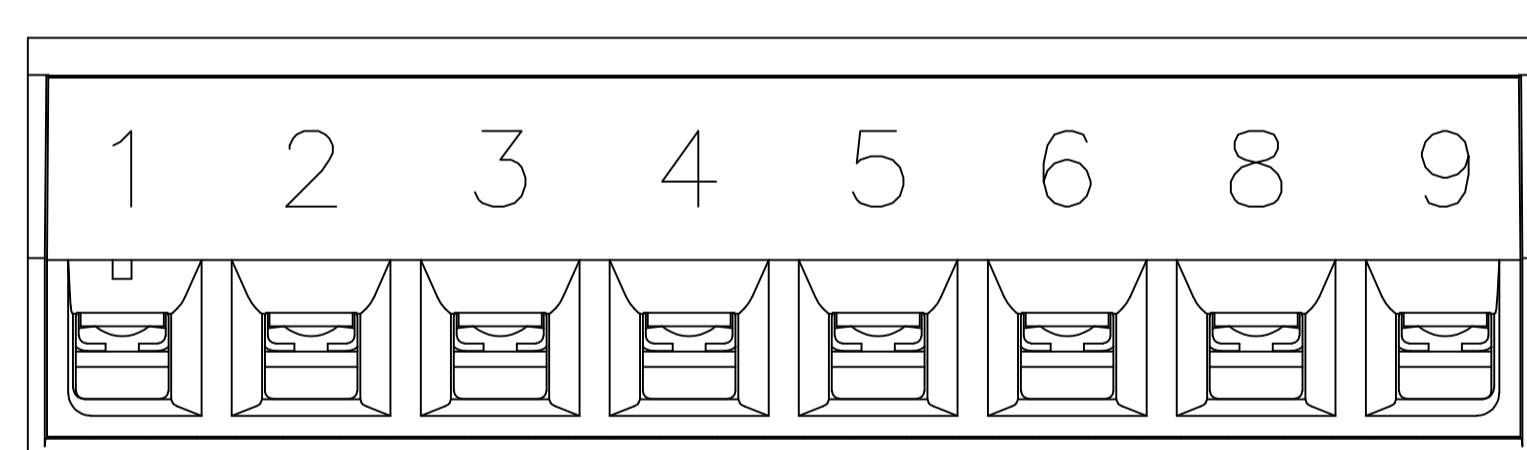
3-282830-1



1-282830-3



3-282830-3



3-282830-2

THIS DRAWING IS A CONTROLLED DOCUMENT.		DIN S SCHLEGEL 28AUG2009 CHK C RICHARD 8/28/09 APVD C RICHARD 8/28/09 PRODUCT SPEC APPLICATION SPEC WEIGHT CUSTOMER DRAWING	STE TE Connectivity NAME TERMINAL BLOCK PLUG 90/180 DEGREE 5.0mm PITCH SIZE A1 CAGE CODE 00779 DRAWING NO. C=282830 RESTRICTED TO SCALE 4:1 SHEET 2 OF 2 REV L4
DIMENSIONS: mm 	TOLERANCES UNLESS OTHERWISE SPECIFIED: 0. PLC ± - 1. PLC ± 0.3 2. PLC ± 0.25 3. PLC ± - 4. PLC ± - ANGLES ± 1°	MATERIAL - FINISH - WEIGHT - CUSTOMER DRAWING	