



Chipsmall Limited consists of a professional team with an average of over 10 year of expertise in the distribution of electronic components. Based in Hongkong, we have already established firm and mutual-benefit business relationships with customers from,Europe,America and south Asia,supplying obsolete and hard-to-find components to meet their specific needs.

With the principle of “Quality Parts,Customers Priority,Honest Operation,and Considerate Service”,our business mainly focus on the distribution of electronic components. Line cards we deal with include Microchip,ALPS,ROHM,Xilinx,Pulse,ON,Everlight and Freescale. Main products comprise IC,Modules,Potentiometer,IC Socket,Relay,Connector.Our parts cover such applications as commercial,industrial, and automotives areas.

We are looking forward to setting up business relationship with you and hope to provide you with the best service and solution. Let us make a better world for our industry!



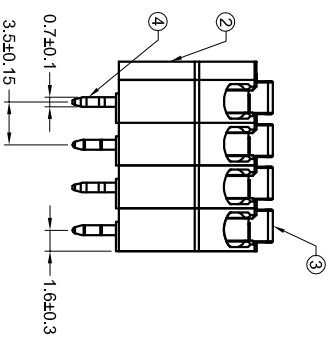
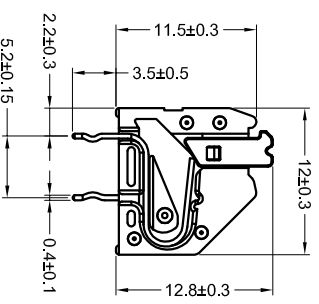
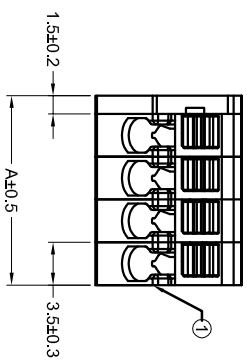
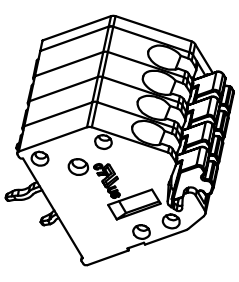
Contact us

Tel: +86-755-8981 8866 Fax: +86-755-8427 6832

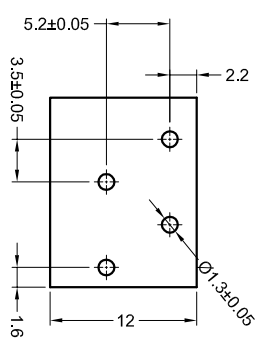
Email & Skype: info@chipsmall.com Web: www.chipsmall.com

Address: A1208, Overseas Decoration Building, #122 Zhenhua RD., Futian, Shenzhen, China





DETAIL INNER



RECOMMEND PCB Layout

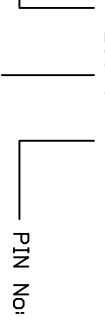
| REVISONS | | DATE | BY | APP'D |
|----------|---------------|------|----|-------|
| A | FIRST VERSION | | GF | SM |
| B | ADD PART No. | | GF | SM |

NOTES :

- 1. MATERIALS AND FINISH:
 - HOUSING: PA66
 - CONTACTS: COPPER ALLOY, FINISH: TIN OVER NICKEL UNDERPLATE
- 2. MUST COMPLY WITH DIRECTIVE 2002/95/EC (ROHS)
- 3. WIRE TYPES AND SIZES ACCEPTED
 WIRE RANGE: 14AWG~20AWG(SOLID&STRANDED)
 STRIP LENGTH: 7.5mm~8.5mm
- 4. PACKAGED IN TRAY.
- 5. CURRENT RATING: 6Amp AC300V.
- 6. OPERATION TEMPERATURE: -40°C TO +105°C

P/N: *-2834011-*

COLOR CODE:



- | | |
|----------|----------|
| 1=GREEN | 2=2 POSN |
| 2=BLUE | 3=3 POSN |
| 3=BROWN | 4=4 POSN |
| 4=ORANGE | 5=5 POSN |
| 5=GREY | 6=6 POSN |
| 6=RED | 7=7 POSN |
| 7=YELLOW | 8=8 POSN |
| 8=PURPLE | |
| 9=WHITE | |
| 0=BLACK | |

REMARK: THE DIFFERENT COLORS COULD BE COMBINED TO THE NEW CONNECTOR P/NS FOR CUSTOMER REQUEST.

| ④ | CONTACT |
|---|---------------|
| ③ | LEVER(orange) |
| ② | COVER |
| ① | HOUSING |

| | |
|------|------------------|
| 29.5 | 8 POSN |
| 26 | 7 POSN |
| 22.5 | 6 POSN |
| 19 | 5 POSN |
| 15.5 | 4 POSN |
| 12 | 3 POSN |
| 8.5 | 2 POSN |
| A | NO. OF POSITIONS |

THIS DRAWING IS A CONTROLLED DOCUMENT

| | | |
|----------|------------|------|
| DESIGNER | CHK | DATE |
| W. YANG | 27/02/2015 | |

| | | |
|-----|------------|-------------|
| REV | DATE | DESCRIPTION |
| 1 | 10-13/2014 | INITIAL |
| 2 | 11-13/2014 | VERSION |

35mm Top Entry Modular Screwless Conn.

SIZE 1 CODE 00779

SCALE 1:1

REV B