



Chipsmall Limited consists of a professional team with an average of over 10 year of expertise in the distribution of electronic components. Based in Hongkong, we have already established firm and mutual-benefit business relationships with customers from,Europe,America and south Asia,supplying obsolete and hard-to-find components to meet their specific needs.

With the principle of "Quality Parts,Customers Priority,Honest Operation,and Considerate Service",our business mainly focus on the distribution of electronic components. Line cards we deal with include Microchip,ALPS,ROHM,Xilinx,Pulse,ON,Everlight and Freescale. Main products comprise IC,Modules,Potentiometer,IC Socket,Relay,Connector.Our parts cover such applications as commercial,industrial, and automotives areas.

We are looking forward to setting up business relationship with you and hope to provide you with the best service and solution. Let us make a better world for our industry!



## Contact us

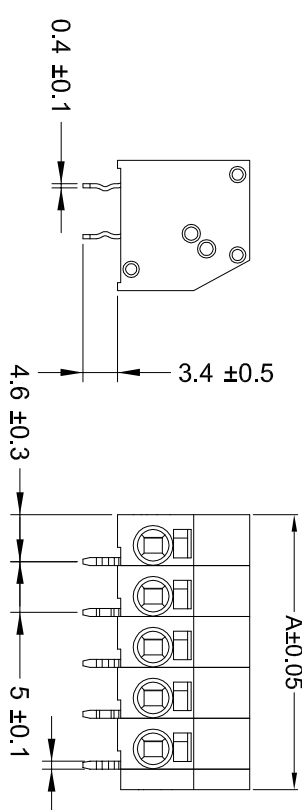
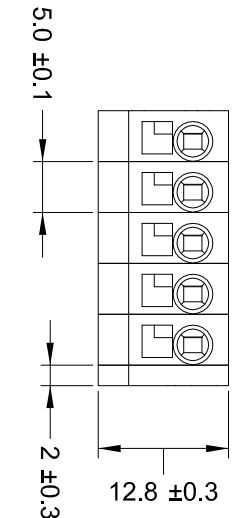
Tel: +86-755-8981 8866 Fax: +86-755-8427 6832

Email & Skype: info@chipsmall.com Web: www.chipsmall.com

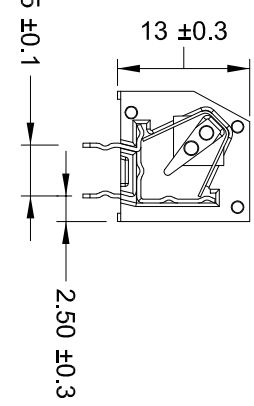
Address: A1208, Overseas Decoration Building, #122 Zhenhua RD., Futian, Shenzhen, China



- NOTES :
- △ MATERIALS AND FINISH:
    - HOUSING: PA66
    - CONTACTS: COPPER ALLOY, FINISH: TIN OVER NICKEL UNDERPLATE
    - SPRING: STAINLESS STRIP STEEL
  - 2. MUST COMPLY WITH DIRECTIVE 2002/95/EC (ROHS)
  - 3. WIRE TYPES AND SIZES ACCEPTED
    - SOLID WIRE: 16AWG~20AWG.
    - STRIP LENGTH: 7.5mm~8.5mm
  - 4. PACKAGED IN TRAY.
  - 5. CURRENT RATING: 10Amp AC300V.
  - 6. OPERATION TEMPERATURE: -40°C TO +105°C



DETAIL INNER



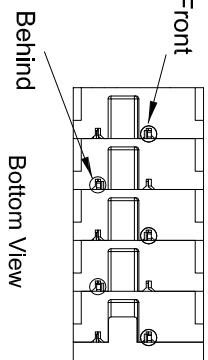
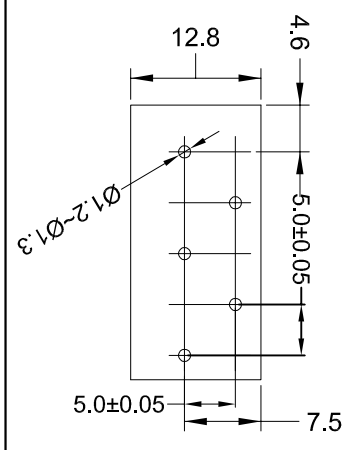
- COLOR CODE:
- 1=GREEN
  - 2=BLUE
  - 3=BROWN
  - 4=ORANGE
  - 5=GREY
  - 6=RED
  - 7=YELLOW
  - 8=PURPLE
  - 9=WHITE
  - 0=BLACK

SERIES CODE

- PIN No:
- 2=2 POSN
  - 3=3 POSN
  - 4=4 POSN
  - 5=5 POSN
  - 6=6 POSN
  - 7=7 POSN
  - 8=8 POSN

REMARK: THE DIFFERENT COLORS COULD BE COMBINED TO THE NEW CONNECTOR P/Ns FOR CUSTOMER REQUEST.

42.00	8 POSN	
37.00	7 POSN	
32.00	6 POSN	
27.00	5 POSN	
22.00	4 POSN	
17.00	3 POSN	
12.00	2 POSN	
A	NO. OF POSITIONS	



THIS DRAWING IS A CONTROLLED DOCUMENT

DESIGNER	CHK	DATE	REV
W. YANG	W. YANG	11-4-07/08	1

100-137078

50mm Pitch Modular Screwless Conn.

SCALE: 1:1

REV A