



Chipsmall Limited consists of a professional team with an average of over 10 year of expertise in the distribution of electronic components. Based in Hongkong, we have already established firm and mutual-benefit business relationships with customers from,Europe,America and south Asia,supplying obsolete and hard-to-find components to meet their specific needs.

With the principle of "Quality Parts,Customers Priority,Honest Operation,and Considerate Service",our business mainly focus on the distribution of electronic components. Line cards we deal with include Microchip,ALPS,ROHM,Xilinx,Pulse,ON,Everlight and Freescale. Main products comprise IC,Modules,Potentiometer,IC Socket,Relay,Connector.Our parts cover such applications as commercial,industrial, and automotives areas.

We are looking forward to setting up business relationship with you and hope to provide you with the best service and solution. Let us make a better world for our industry!



## Contact us

Tel: +86-755-8981 8866 Fax: +86-755-8427 6832

Email & Skype: info@chipsmall.com Web: www.chipsmall.com

Address: A1208, Overseas Decoration Building, #122 Zhenhua RD., Futian, Shenzhen, China



THIS DRAWING IS UNPUBLISHED.

RELEASED FOR PUBLICATION

20

© COPYRIGHT 20

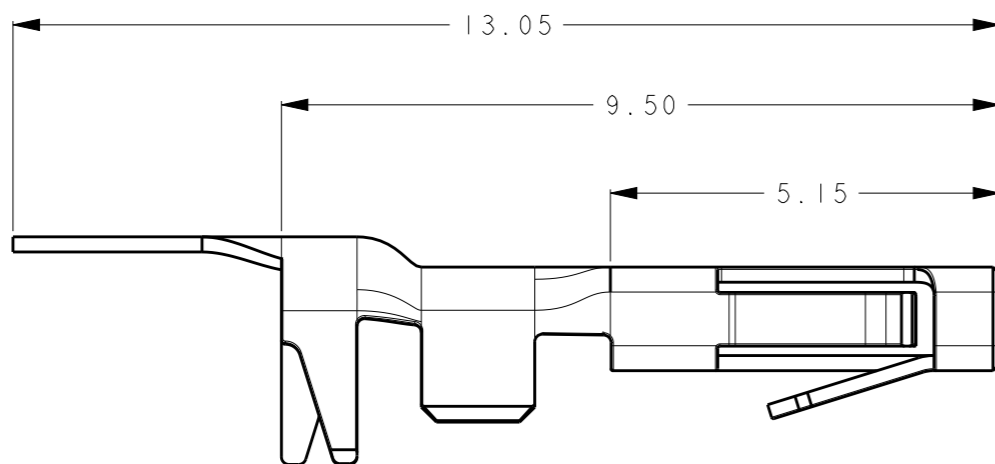
ALL RIGHTS RESERVED.

LOC  
ES

DIST

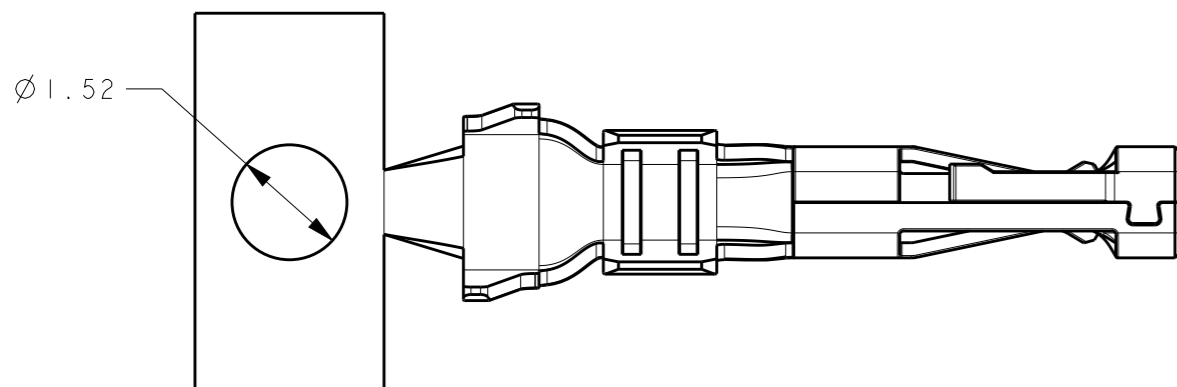
REVISIONS

P	LTR	DESCRIPTION	DATE	DWN	APVD
	A	INITIAL RELEASE	15JULY2016	W.Z	X.X



NOTES:

- ① MATERIAL: COPPER ALLOY
- ② FINISH: 2.0 MICRON MIN. TIN OVER NICKLE UNDERPLATED.
- ③ FINISH: GOLD FLASH PLATING ON CONTACT MATING AREA. TIN PLATING ON CRIMP AREA AND ALL NICKLE UNDERPLATED.
- 4. SEE TABLE FOR ALL THE PART NUMBERS.



1000 PCS/REEL	③	1.60-2.0	18-22 AWG	2-2834067-3
10,000 PCS/REEL	③	1.60-2.0	18-22 AWG	1-2834067-3
1000 PCS/REEL	②	1.60-2.0	18-22 AWG	2-2834067-2
10,000 PCS/REEL	②	1.60-2.0	18-22 AWG	1-2834067-2
PACKAGE Q'TY	FINISH	INSULATION DIAMETER RANGE	WIRE RANGE	PART NO

THIS DRAWING IS A CONTROLLED DOCUMENT.		DWN 15JULY2016 ZHANG WEI	<b>TE Connectivity</b>	
DIMENSIONS: mm		CHK 15JULY2016 SHI MING		
TOLERANCES UNLESS OTHERWISE SPECIFIED: ± 0.3		APVD 15JULY2016 XU XIANG	NAME SOCKET CONTACT MINIATURE WATERPROOF CONNECTOR	
0 PLC ± 1 PLC ± 2 PLC ± 3 PLC ± 4 PLC ± ANGLES ±5°		PRODUCT SPEC 108-137093	SIZE CAGE CODE DRAWING NO RESTRICTED TO	
MATERIAL		APPLICATION SPEC 114-137093	A300779C-2834067	
FINISH		WEIGHT -	SCALE 10:1 SHEET 1 OF 2 REV A	
		CUSTOMER DRAWING		

THIS DRAWING IS UNPUBLISHED.

RELEASED FOR PUBLICATION

20

© COPYRIGHT 20

ALL RIGHTS RESERVED.

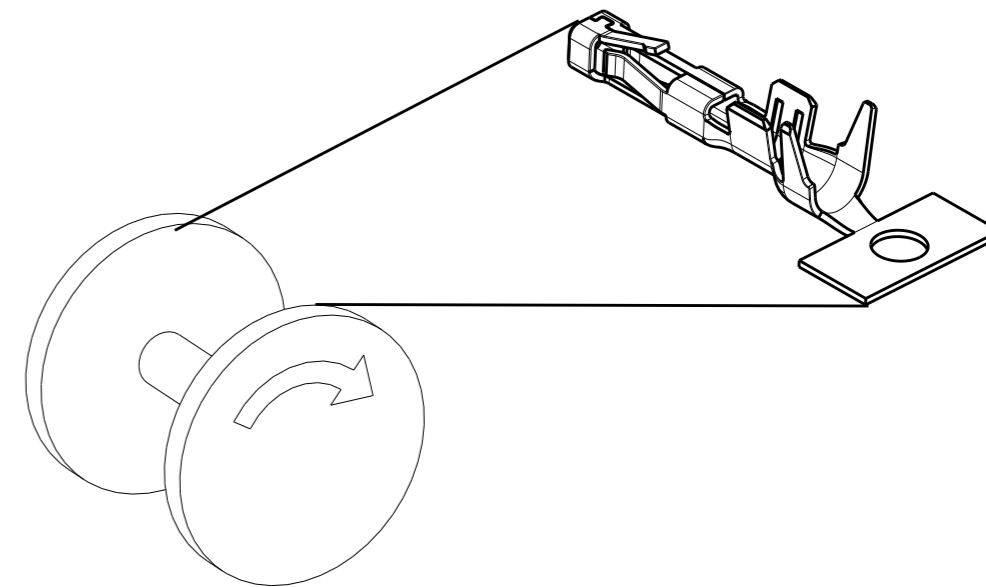
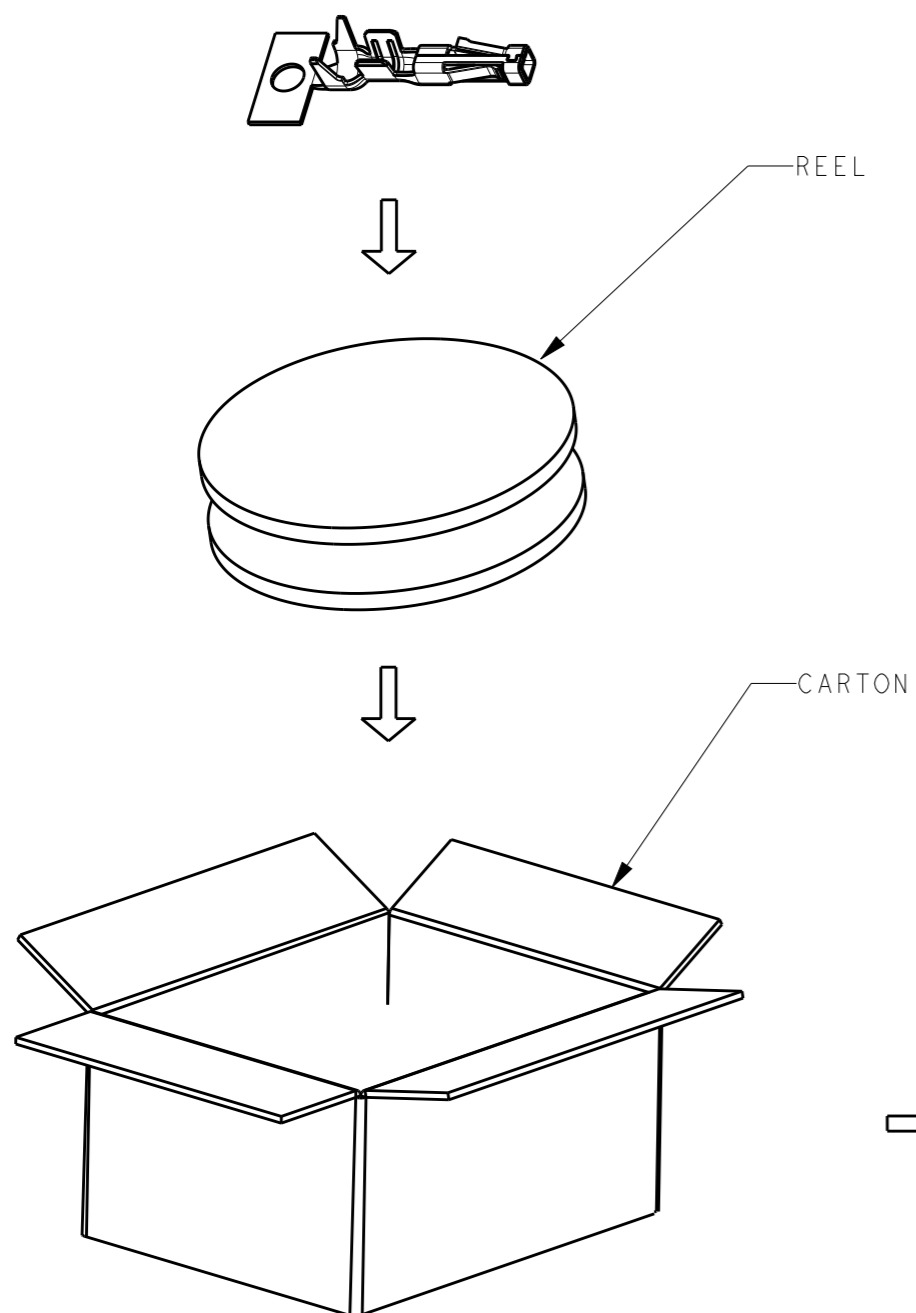
LOC  
ES

DIST

REVISIONS

P	LTR	DESCRIPTION	DATE	DWN	APVD
		SEE SHEET 1			

PACKAGE PART NUMBER LIST:  
 1-2834067-2, 2-2834067-2, 1-2834067-3, 2-2834067-3



CONTACT WITH PLATING

PART NUMBER	PARTS PER REEL	REELS PER CARTON	PARTS PER CARTON
1-2834067-2	10,000 PCS	4	40,000 PCS
2-2834067-2	1000 PCS	3	3,000 PCS
1-2834067-3	10,000 PCS	4	40,000 PCS
2-2834067-3	1000 PCS	3	3,000 PCS

NOTE:  
 1. PUT PARTS IN THE REEL AS STAMPING&PLATING PROCESS.  
 2. PUT PACKED REEL INTO CARTON.  
 3. SEAL THE CARTON  
 4. PACKAGING QUANTITY: SEE TABLE.  
 5. PACKAGING SPEC : 107-137093.

THIS DRAWING IS A CONTROLLED DOCUMENT.		DWN	25JUL2016	<b>STE</b> TE Connectivity	
		CHK	25JUL2016		
		APVD	25JUL2016		
		NAME	XU XIANG		
DIMENSIONS: mm		TOLERANCES UNLESS OTHERWISE SPECIFIED: ± 0.3		SOCKET CONTACT MINIATURE WATERPROOF CONNECTOR	
		0-PLC ±			
		1-PLC ±		PRODUCT SPEC	108-137093
		2-PLC ±		APPLICATION SPEC	114-137093
		3-PLC ±		SIZE	A300779
		4-PLC ±		CAGE CODE	C-2834067
		ANGLES ±5°		DRAWING NO	
MATERIAL		FINISH		RESTRICTED TO	-
				SCALE	5:1
		WEIGHT		SHEET	2 OF 2
		CUSTOMER DRAWING		REV	A