



Chipsmall Limited consists of a professional team with an average of over 10 year of expertise in the distribution of electronic components. Based in Hongkong, we have already established firm and mutual-benefit business relationships with customers from,Europe,America and south Asia,supplying obsolete and hard-to-find components to meet their specific needs.

With the principle of “Quality Parts,Customers Priority,Honest Operation,and Considerate Service”,our business mainly focus on the distribution of electronic components. Line cards we deal with include Microchip,ALPS,ROHM,Xilinx,Pulse,ON,Everlight and Freescale. Main products comprise IC,Modules,Potentiometer,IC Socket,Relay,Connector.Our parts cover such applications as commercial,industrial, and automotives areas.

We are looking forward to setting up business relationship with you and hope to provide you with the best service and solution. Let us make a better world for our industry!



## Contact us

Tel: +86-755-8981 8866 Fax: +86-755-8427 6832

Email & Skype: info@chipsmall.com Web: www.chipsmall.com

Address: A1208, Overseas Decoration Building, #122 Zhenhua RD., Futian, Shenzhen, China



4

3

2

1

THIS DRAWING IS UNPUBLISHED.

RELEASED FOR PUBLICATION

20

© COPYRIGHT 20

ALL RIGHTS RESERVED.

ES

REVISIONS

P	LTR	DESCRIPTION	DATE	DWN	APVD
	A	INITIAL RELEASE	15JUL2016	W.Z	X.X

15.50

11.95

NOTES:

① MATERIAL: COPPER ALLOY


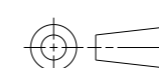
② FINISH: 2.0 MICRON MIN. TIN OVER NICKLE UNDERPLATED.

③ FINISH: GOLD FLASH PLATING ON CONTACT MATING AREA. TIN PLATING ON CRIMP AREA AND ALL NICKLE UNDERPLATED.

4. SEE TABLE FOR ALL THE PART NUMBERS.

Ø 1.52

1000 PCS/REEL	③	1.60-2.0	18-22 AWG	2-2834068-3
10,000 PCS/REEL	③	1.60-2.0	18-22 AWG	1-2834068-3
1000 PCS/REEL	②	1.60-2.0	18-22 AWG	2-2834068-2
10,000 PCS/REEL	②	1.60-2.0	18-22 AWG	1-2834068-2
PACKAGE Q'TY	FINISH	INSULATION DIAMETER RANGE	WIRE RANGE	PART NO

THIS DRAWING IS A CONTROLLED DOCUMENT.		DWN	15JULY2016	 TE Connectivity	
DIMENSIONS: mm		CHK	15JULY2016		
		APVD	15JULY2016		
TOLERANCES UNLESS OTHERWISE SPECIFIED: ±0.3		XU XIANG		NAME	
0-PLC ±		PRODUCT SPEC		PIN CONTACT	
1-PLC ±		108-137093		MINIATURE WATERPROOF CONNECTOR	
2-PLC ±		APPLICATION SPEC		SIZE	
3-PLC ±		114-137093		CAGE CODE	
4-PLC ±		WEIGHT		DRAWING NO	
ANGLES ±5°		-		A300779	
MATERIAL		CUSTOMER DRAWING		C-2834068	
FINISH		SCALE 10:1		RESTRICTED TO	
-		SHEET 1 OF 2		-	
		REV A			

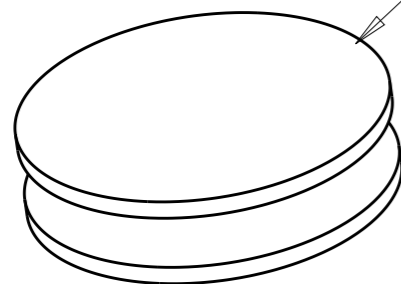
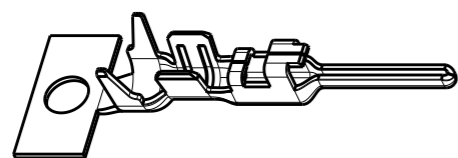
1470-19 (3/13)

REVISIONS

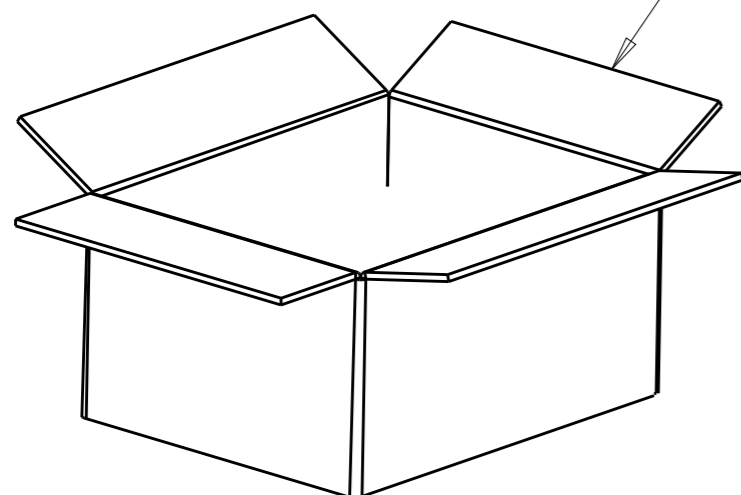
P	LTR	DESCRIPTION	DATE	DWN	APVD
		SEE SHEET 1			

PACKAGE PART NUMBER LIST:

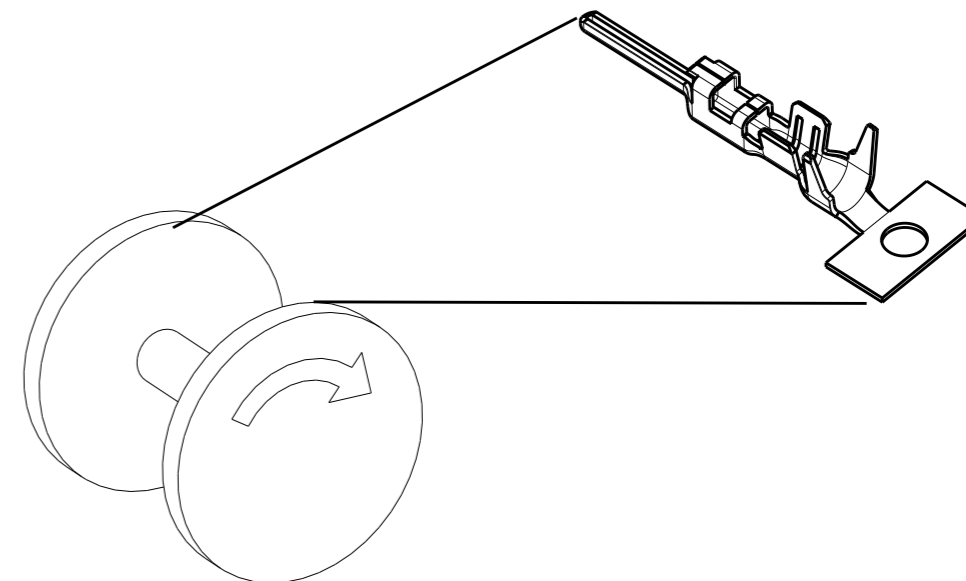
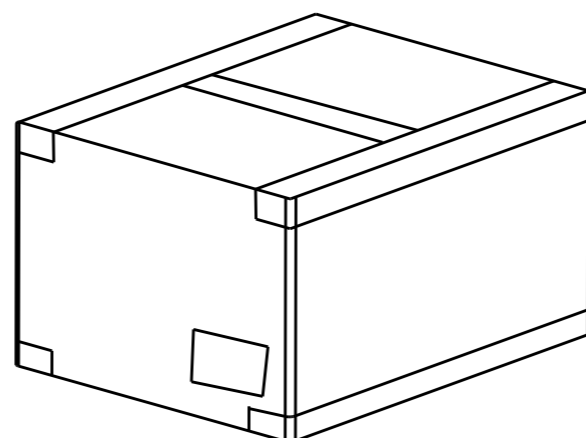
1-2834068-2, 2-2834068-2, 1-2834068-3, 2-2834068-3,



REEL



CARTON



CONTACT WITH PLATING

- NOTE:
1. PUT PARTS IN THE REEL AS STAMPING&PLATING PROCESS.
  2. PUT PACKED REEL INTO CARTON.
  3. SEAL THE CARTON
  4. PACKAGING QUANTITY: SEE TABLE.
  5. PACKAGING SPEC : 107-137093.

PART NUMBER	PARTS PER REEL	REELS PER CARTON	PARTS PER CARTON
1-2834068-2	10,000 PCS	4	40,000 PCS
2-2834068-2	1000 PCS	3	3,000 PCS
1-2834068-3	10,000 PCS	4	40,000 PCS
2-2834068-3	1000 PCS	3	3,000 PCS

THIS DRAWING IS A CONTROLLED DOCUMENT.

DIMENSIONS: mm	TOLERANCES UNLESS OTHERWISE SPECIFIED: ± 0.3
	0-PLC ±
	1-PLC ±
	2-PLC ±
	3-PLC ±
	4-PLC ±
	ANGLES ± 5°
MATERIAL I	FINISH -

DWN ZHANG WEI 15 JULY 2016
CHK SHI MING 15 JULY 2016
APVD XU XIANG 15 JULY 2016
PRODUCT SPEC 108-137093
APPLICATION SPEC 114-137093
WEIGHT -
CUSTOMER DRAWING



NAME PIN CONTACT MINIATURE WATERPROOF CONNECTOR			
SIZE A300779	CAGE CODE C-2834068	DRAWING NO	RESTRICTED TO -
SCALE 10:1		SHEET 2 OF 2	REV A