



Chipsmall Limited consists of a professional team with an average of over 10 year of expertise in the distribution of electronic components. Based in Hongkong, we have already established firm and mutual-benefit business relationships with customers from,Europe,America and south Asia,supplying obsolete and hard-to-find components to meet their specific needs.

With the principle of “Quality Parts,Customers Priority,Honest Operation,and Considerate Service”,our business mainly focus on the distribution of electronic components. Line cards we deal with include Microchip,ALPS,ROHM,Xilinx,Pulse,ON,Everlight and Freescale. Main products comprise IC,Modules,Potentiometer,IC Socket,Relay,Connector.Our parts cover such applications as commercial,industrial, and automotives areas.

We are looking forward to setting up business relationship with you and hope to provide you with the best service and solution. Let us make a better world for our industry!



Contact us

Tel: +86-755-8981 8866 Fax: +86-755-8427 6832

Email & Skype: info@chipsmall.com Web: www.chipsmall.com

Address: A1208, Overseas Decoration Building, #122 Zhenhua RD., Futian, Shenzhen, China



THIS DRAWING IS UNPUBLISHED.

RELEASED FOR PUBLICATION

20

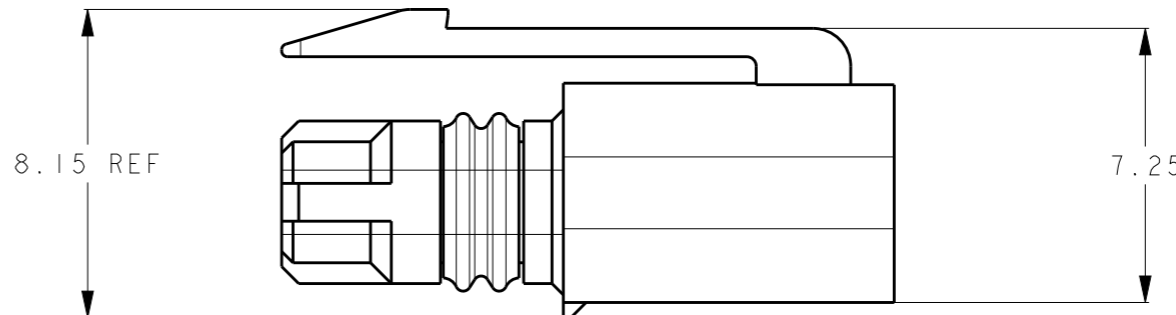
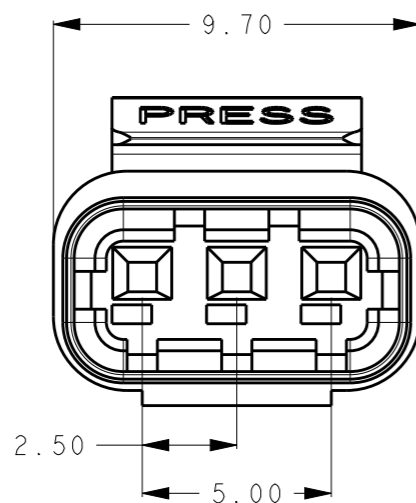
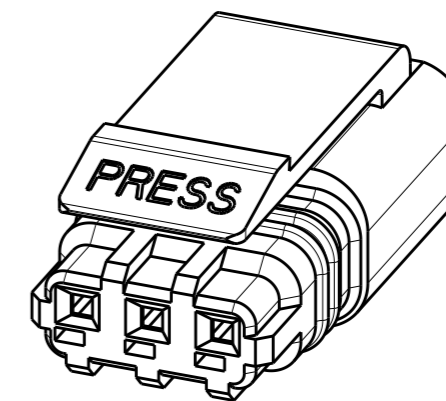
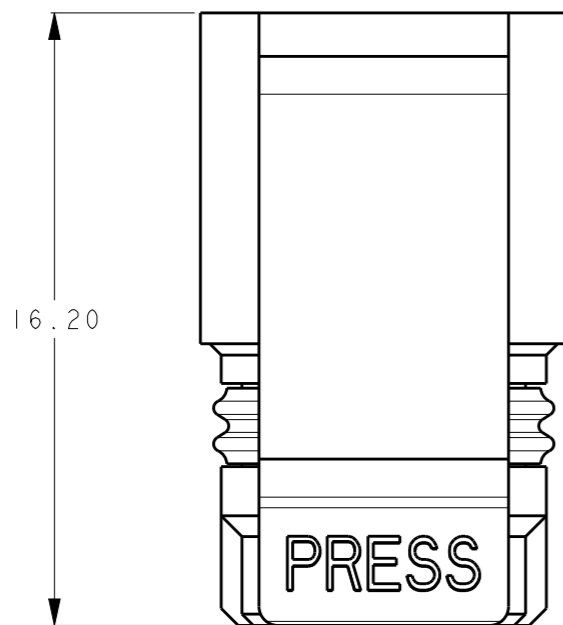
© COPYRIGHT 20

ALL RIGHTS RESERVED.

ES

REVISIONS

P	LTR	DESCRIPTION	DATE	DWN	APVD
	A	INITIAL RELEASE	15JUL2016	Z.W	X.X



- NOTES:
- 1. MATERIAL:
HOUSING: THERMOPLASTIC, UL94-V0.
SEAL: RUBBER.
 - 2. PART NUMBER: SEE TABLE
 - 3. PACKAGING: TRAY.
 - 4. PACKAGING SPEC: 107-137093.

GRAY	3	4-2834074-3
RED	3	3-2834074-3
BLACK	3	2-2834074-3
WHITE	3	1-2834074-3
GRAY	2	4-2834074-2
RED	2	3-2834074-2
BLACK	2	2-2834074-2
WHITE	2	1-2834074-2
COLOR	NO OF POSN	PART NUMBER

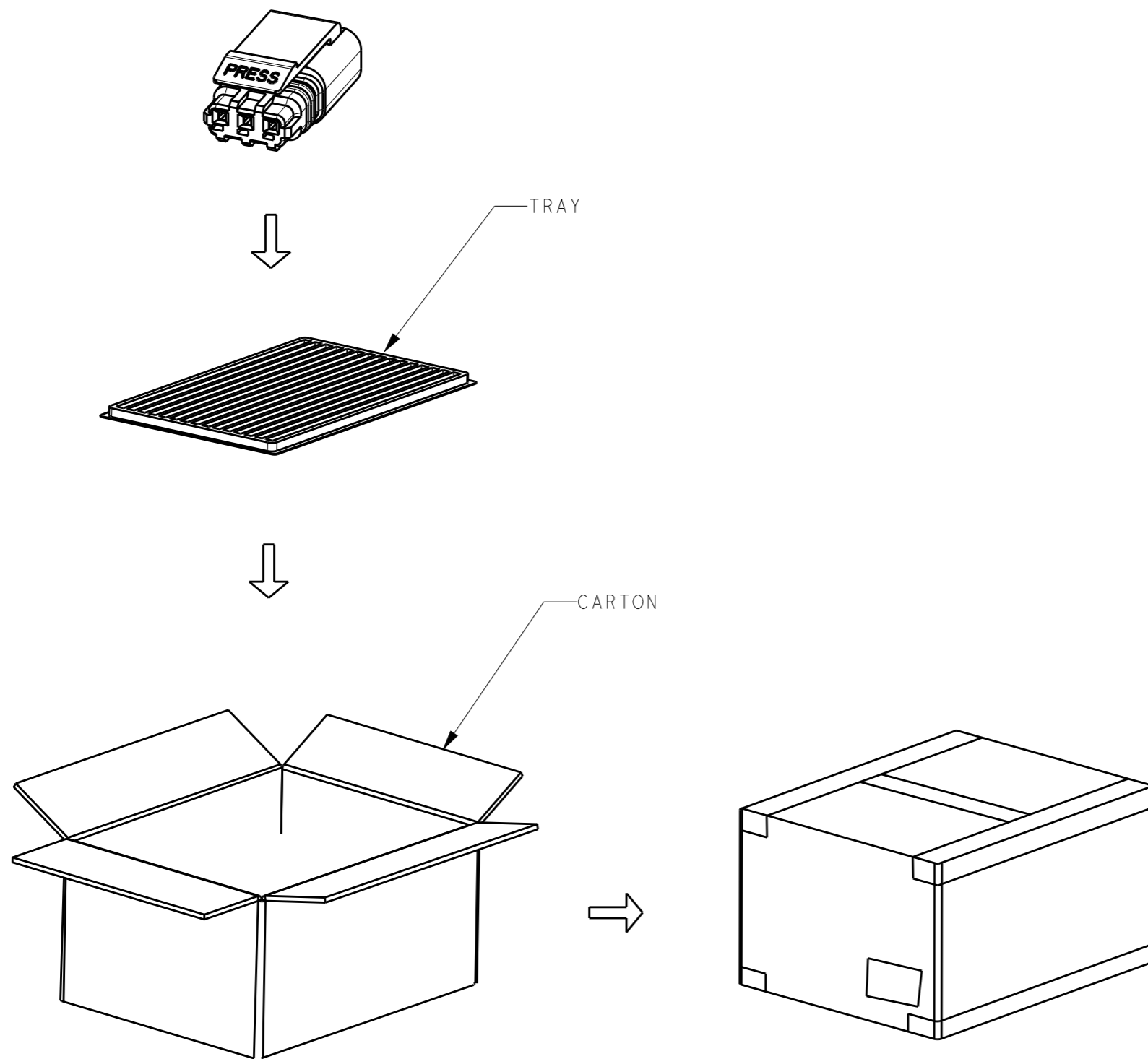
THIS DRAWING IS A CONTROLLED DOCUMENT.		DWN	15JULY2016	STE TE Connectivity
		CHK	ZHANG WEI 15JULY2016	
		APVD	SHI MING 15JULY2016	
		APVD	XU XIANG 15JULY2016	NAME
		PRODUCT SPEC	108-137093	PLUG MINIATURE WATERPROOF CONNECTOR
		APPLICATION SPEC	114-137093	
		WEIGHT	-	SIZE
		CUSTOMER DRAWING		CAGE CODE
				DRAWING NO
				RESTRICTED TO
				A300779
				C-2834074
				SCALE
				5:1
				SHEET
				1 OF 2
				REV
				A



REVISIONS

P	LTR	DESCRIPTION	DATE	DWN	APVD
		SEE SHEET 1			

- NOTE:
 1. PUT PARTS IN THE TRAY.
 2. PUT PACKED TRAYS INTO CARTON.
 3. SEAL THE CARTON
 4. PACKAGING QUANTITY: SEE TABLE.
 5. PACKAGING SPEC : 107-137093.

PART NUMBER	PARTS PER TRAY	TRAYS PER CARTON	PARTS PER CARTON
1-2834074-2	360 PCS	16	5760 PCS
2-2834074-2	360 PCS	16	5760 PCS
3-2834074-2	360 PCS	16	5760 PCS
4-2834074-2	360 PCS	16	5760 PCS
1-2834074-3	360 PCS	16	5760 PCS
2-2834074-3	360 PCS	16	5760 PCS
3-2834074-3	360 PCS	16	5760 PCS
4-2834074-3	360 PCS	16	5760 PCS



THIS DRAWING IS A CONTROLLED DOCUMENT.		DWN	15JULY2016	 TE Connectivity
		CHK	15JULY2016	
		APVD	15JULY2016	
DIMENSIONS: mm		TOLERANCES UNLESS OTHERWISE SPECIFIED: ± 0.5		NAME
		0 PLC ±		PLUG MINIATURE WATERPROOF CONNECTOR
		1 PLC ±		
MATERIAL		2 PLC ±		SIZE
		3 PLC ±		CAGE CODE
FINISH		4 PLC ±		DRAWING NO
		ANGLES ± 5°		RESTRICTED TO
		WEIGHT		A300779
		CUSTOMER DRAWING		C-2834074
		SCALE 5:1		SHEET 2 OF 2
		REV A		