



Chipsmall Limited consists of a professional team with an average of over 10 year of expertise in the distribution of electronic components. Based in Hongkong, we have already established firm and mutual-benefit business relationships with customers from,Europe,America and south Asia,supplying obsolete and hard-to-find components to meet their specific needs.

With the principle of “Quality Parts,Customers Priority,Honest Operation,and Considerate Service”,our business mainly focus on the distribution of electronic components. Line cards we deal with include Microchip,ALPS,ROHM,Xilinx,Pulse,ON,Everlight and Freescale. Main products comprise IC,Modules,Potentiometer,IC Socket,Relay,Connector.Our parts cover such applications as commercial,industrial, and automotives areas.

We are looking forward to setting up business relationship with you and hope to provide you with the best service and solution. Let us make a better world for our industry!



Contact us

Tel: +86-755-8981 8866 Fax: +86-755-8427 6832

Email & Skype: info@chipsmall.com Web: www.chipsmall.com

Address: A1208, Overseas Decoration Building, #122 Zhenhua RD., Futian, Shenzhen, China



4

3

2

1

THIS DRAWING IS UNPUBLISHED.

RELEASED FOR PUBLICATION

20

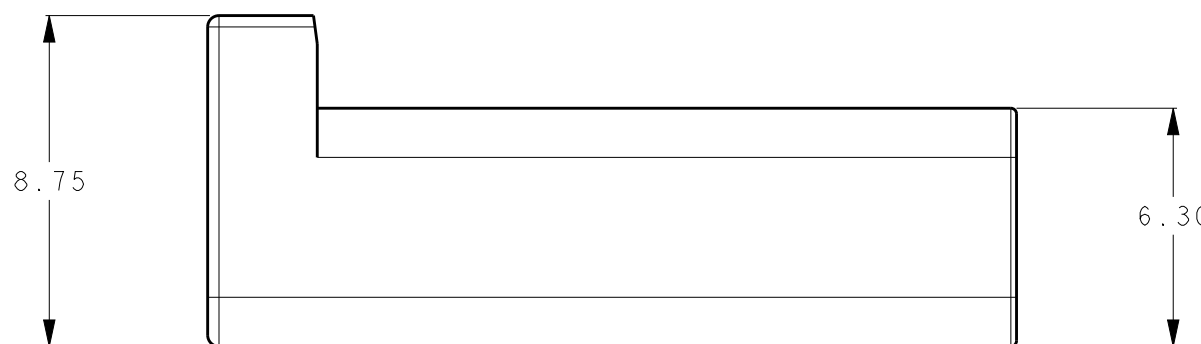
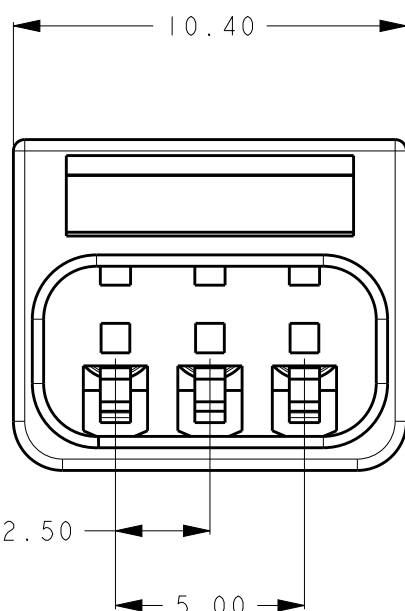
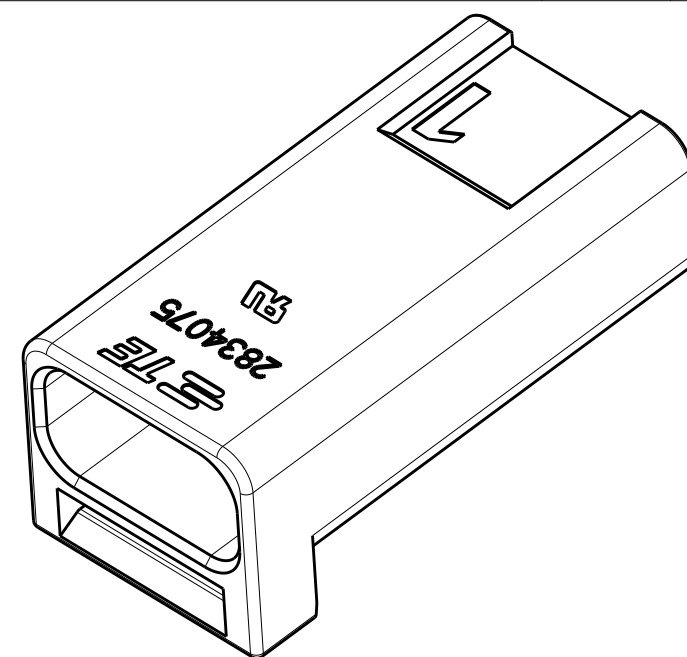
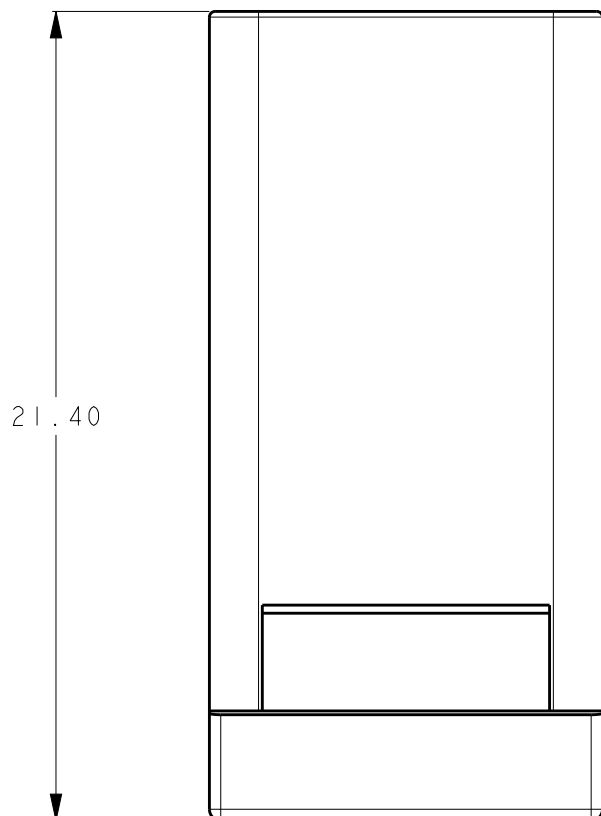
© COPYRIGHT 20

ALL RIGHTS RESERVED.

ES


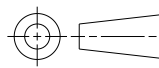

REVISIONS

| P | LTR | DESCRIPTION | DATE | DWN | APVD |
|---|-----|-----------------|-----------|-----|------|
| | A | INITIAL RELEASE | 25JUL2016 | Z.W | X.X |
| | | | | | |
| | | | | | |



| | | |
|-------|------------|-------------|
| GRAY | 3 | 4-2834075-3 |
| RED | 3 | 3-2834075-3 |
| BLACK | 3 | 2-2834075-3 |
| WHITE | 3 | 1-2834075-3 |
| GRAY | 2 | 4-2834075-2 |
| RED | 2 | 3-2834075-2 |
| BLACK | 2 | 2-2834075-2 |
| WHITE | 2 | 1-2834075-2 |
| COLOR | NO OF POSN | PART NUMBER |

- NOTES:
 1. MATERIAL:
 HOUSING: PBT, FI PER UL746C
 SEAL: SILICONE RUBBER.
 2. PN: SEE TABLE
 3. PACKAGING: TRAY.
 4. PACKAGING SPEC: 107-137093.

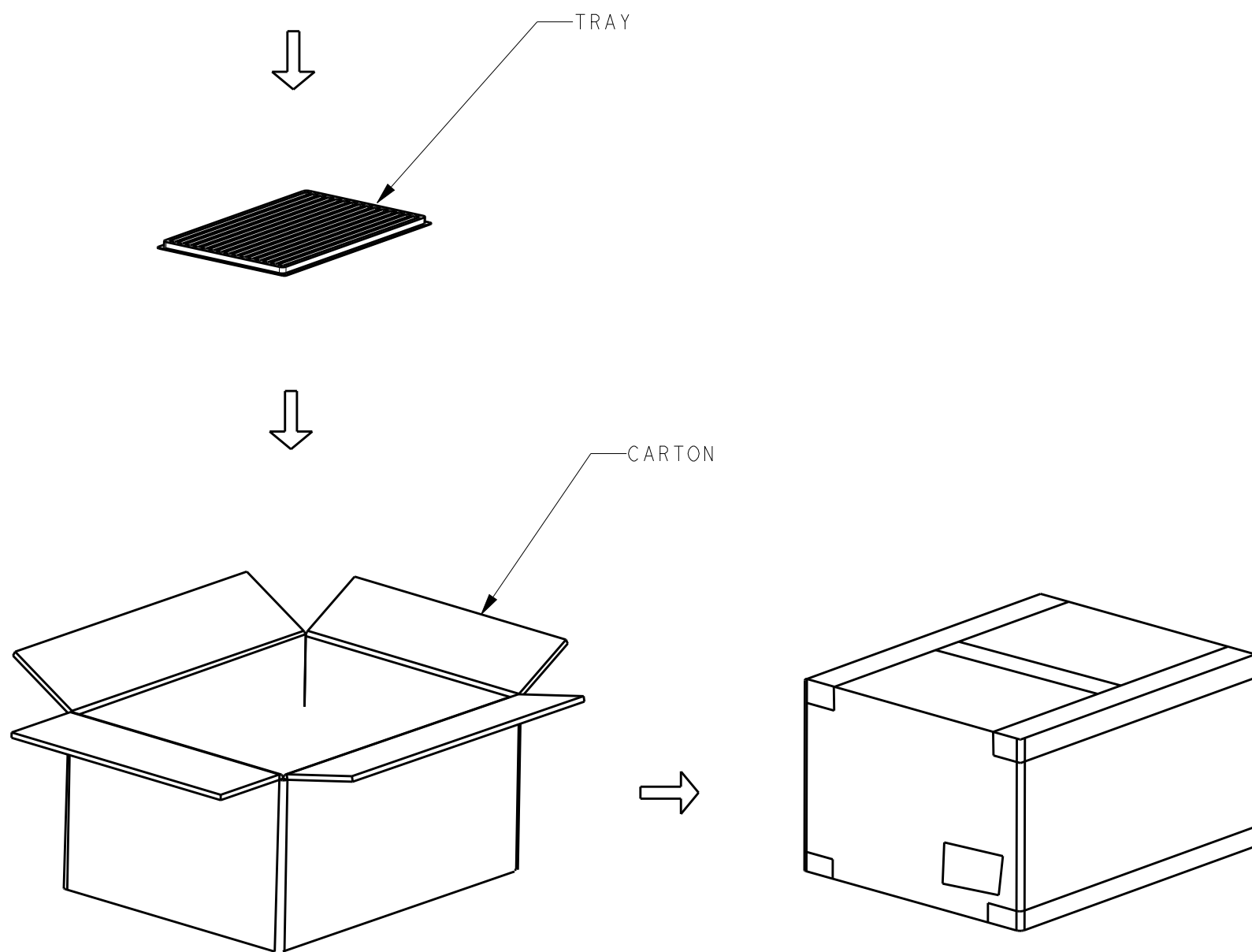
| | | | | | | |
|---|--|--------------------------------|---|-----------|--|---------------|
| THIS DRAWING IS A CONTROLLED DOCUMENT. | | DWN 15JULY2016 ZHANG WEI |  TE Connectivity | | | |
| DIMENSIONS: mm | | CHK 15JULY2016 SHI MING | | | NAME | |
|  | | APVD 15JULY2016 XU XIANG | | | RECEPTACLE MINIATURE WATERPROOF CONN. | |
| TOLERANCES UNLESS OTHERWISE SPECIFIED: ± 0.5 | | PRODUCT SPEC 108-137093 | SIZE | CAGE CODE | DRAWING NO | RESTRICTED TO |
| 0 PLC ± 1 PLC ± 2 PLC ± 3 PLC ± 4 PLC ± ANGLES ±5° | | APPLICATION SPEC 114-137093 | A300779 | C-2834075 | | - |
| MATERIAL | | WEIGHT | SCALE 5:1 SHEET 1 OF 2 REV A | | | |
|  | | CUSTOMER DRAWING | | | | |

REVISIONS

| P | LTR | DESCRIPTION | DATE | DWN | APVD |
|---|-----|-------------|------|-----|------|
| | | SEE SHEET 1 | | | |

- NOTE:
 1.PUT PARTS IN THE TRAY.
 2.PUT PACKED TRAYS INTO CARTON.
 3.SEAL THE CARTON
 4.PACKAGING QUANTITY: SEE TABLE.
 5.PACKAGING SPEC : 107-137093.

| PART NUMBER | PARTS PER TRAY | TRAYS PER CARTON | PARTS PER CARTON |
|-------------|----------------|------------------|------------------|
| 1-2834075-2 | 270 PCS | 22 | 5760 PCS |
| 2-2834075-2 | 270 PCS | 22 | 5760 PCS |
| 3-2834075-2 | 270 PCS | 22 | 5760 PCS |
| 4-2834075-2 | 270 PCS | 22 | 5760 PCS |
| 1-2834075-3 | 270 PCS | 22 | 5760 PCS |
| 2-2834075-3 | 270 PCS | 22 | 5760 PCS |
| 3-2834075-3 | 270 PCS | 22 | 5760 PCS |
| 4-2834075-3 | 270 PCS | 22 | 5760 PCS |



| | | | | |
|--|--|---|------------|--|
| THIS DRAWING IS A CONTROLLED DOCUMENT. | | DWN | 15JULY2016 | STE TE Connectivity |
| | | CHK | 15JULY2016 | |
| | | APVD | 15JULY2016 | |
| DIMENSIONS: mm | | TOLERANCES UNLESS OTHERWISE SPECIFIED: ± 0.5 | | NAME |
| | | 0 PLC ± | | RECEPTACLE MINIATURE WATERPROOF CONNECTOR |
| | | 1 PLC ± | | |
| | | 2 PLC ± | | SIZE |
| | | 3 PLC ± | | CAGE CODE |
| | | 4 PLC ± | | DRAWING NO |
| | | ANGLES ± 5° | | RESTRICTED TO |
| MATERIAL | | FINISH | | SCALE |
| | | | | SHEET |
| | | | | OF |
| | | | | 2 |
| | | | | REV |
| | | | | A |