



Chipsmall Limited consists of a professional team with an average of over 10 year of expertise in the distribution of electronic components. Based in Hongkong, we have already established firm and mutual-benefit business relationships with customers from,Europe,America and south Asia,supplying obsolete and hard-to-find components to meet their specific needs.

With the principle of “Quality Parts,Customers Priority,Honest Operation,and Considerate Service”,our business mainly focus on the distribution of electronic components. Line cards we deal with include Microchip,ALPS,ROHM,Xilinx,Pulse,ON,Everlight and Freescale. Main products comprise IC,Modules,Potentiometer,IC Socket,Relay,Connector.Our parts cover such applications as commercial,industrial, and automotives areas.

We are looking forward to setting up business relationship with you and hope to provide you with the best service and solution. Let us make a better world for our industry!



Contact us

Tel: +86-755-8981 8866 Fax: +86-755-8427 6832

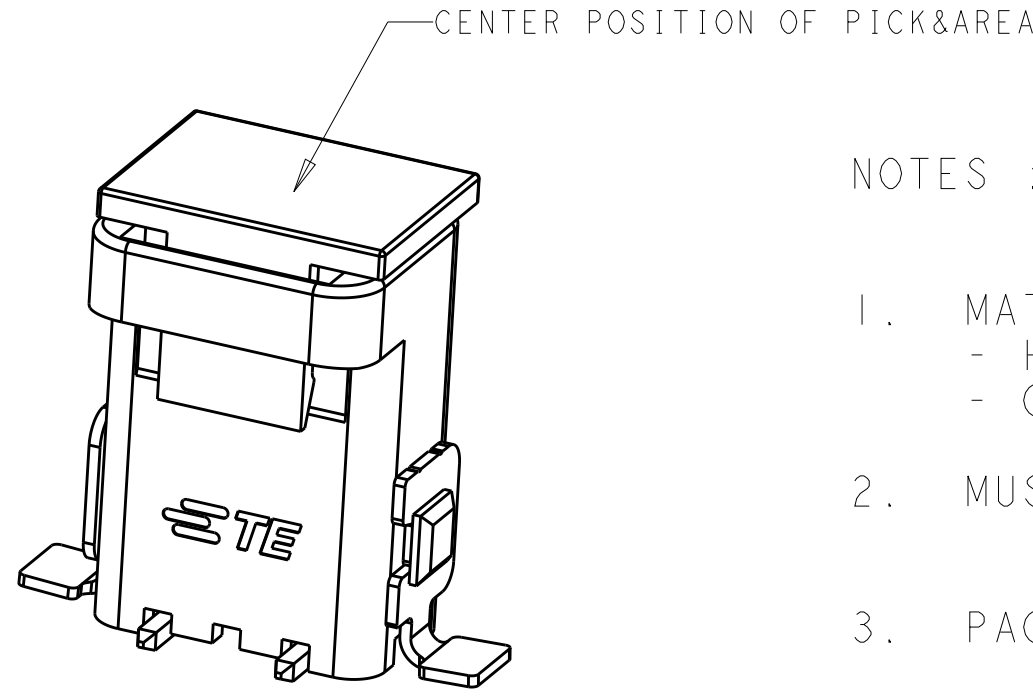
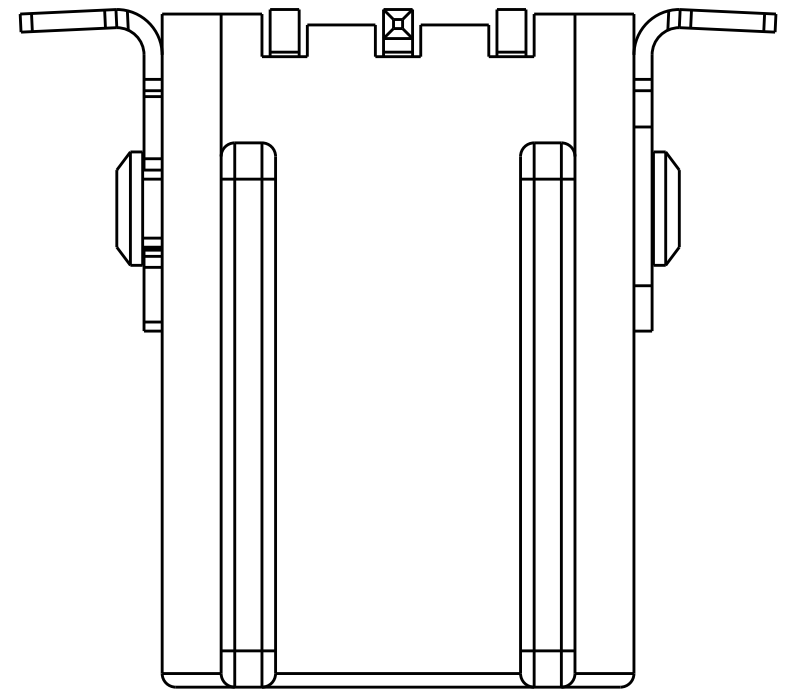
Email & Skype: info@chipsmall.com Web: www.chipsmall.com

Address: A1208, Overseas Decoration Building, #122 Zhenhua RD., Futian, Shenzhen, China

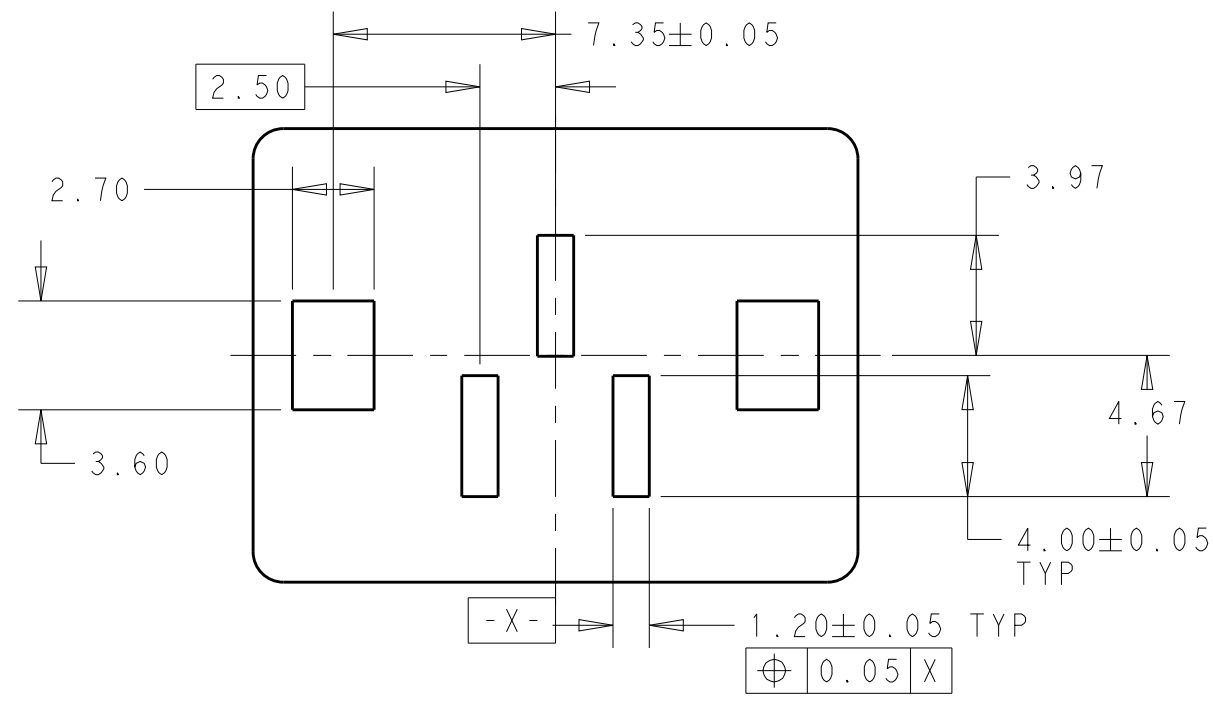
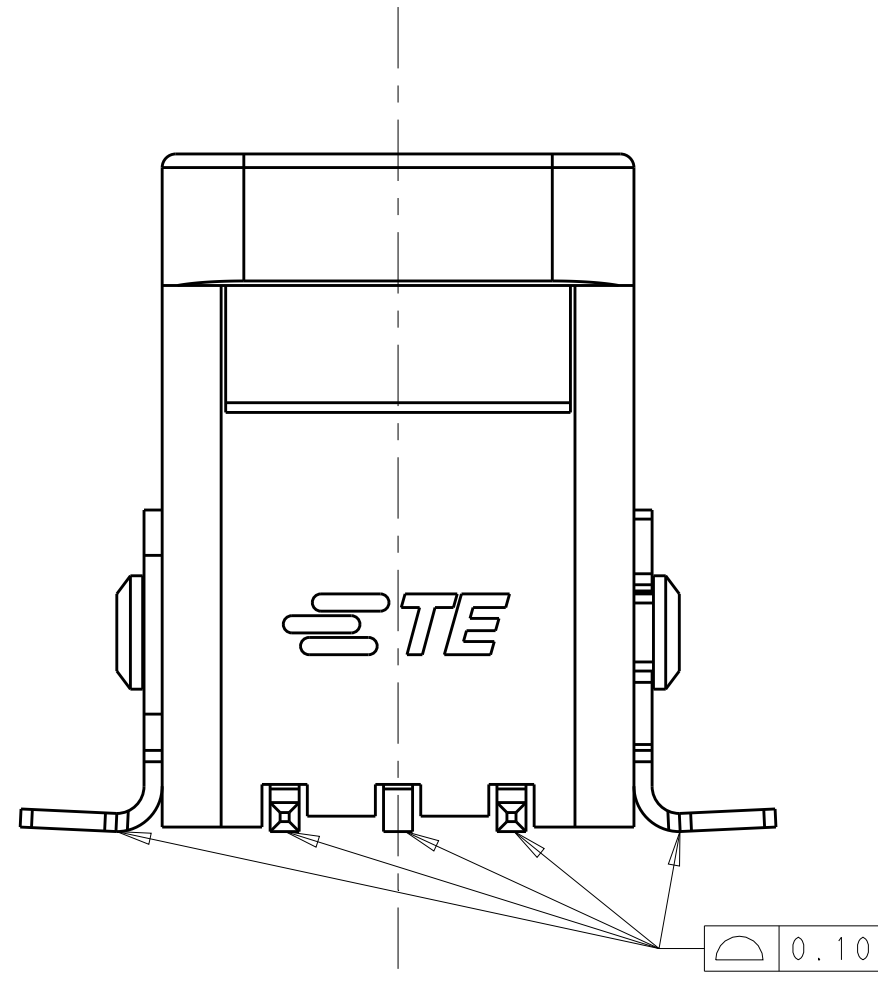
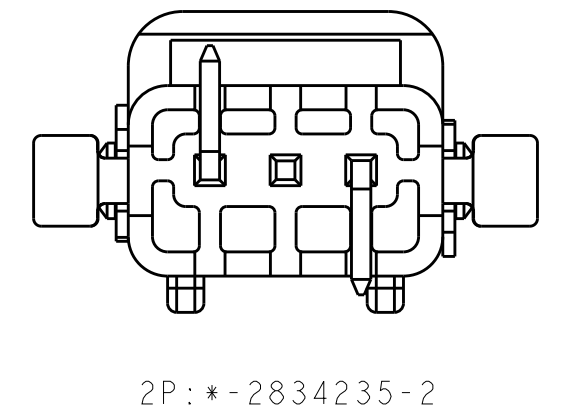
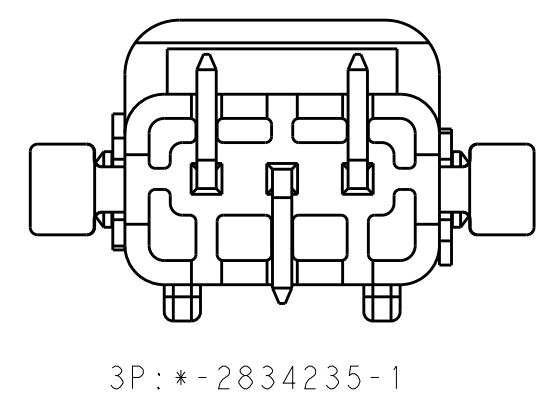
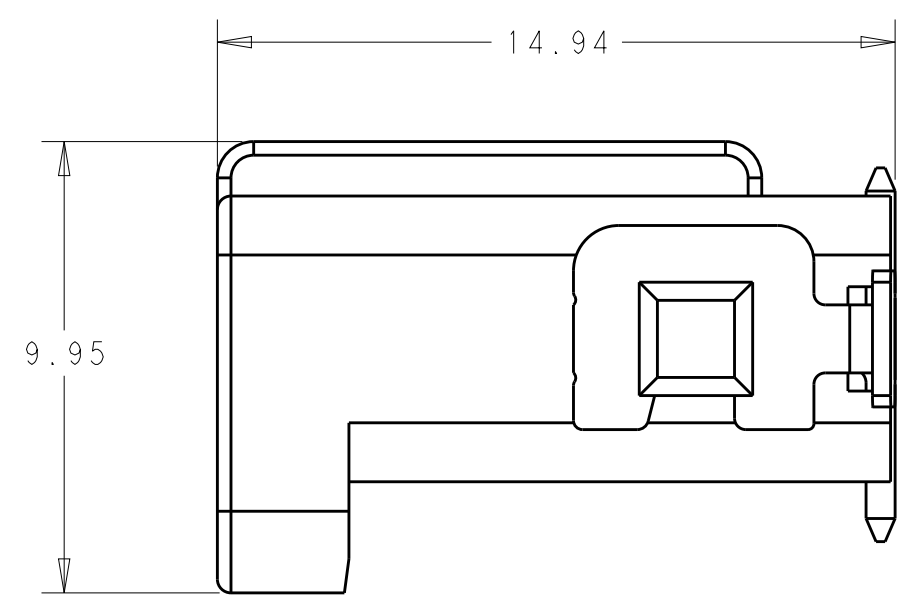
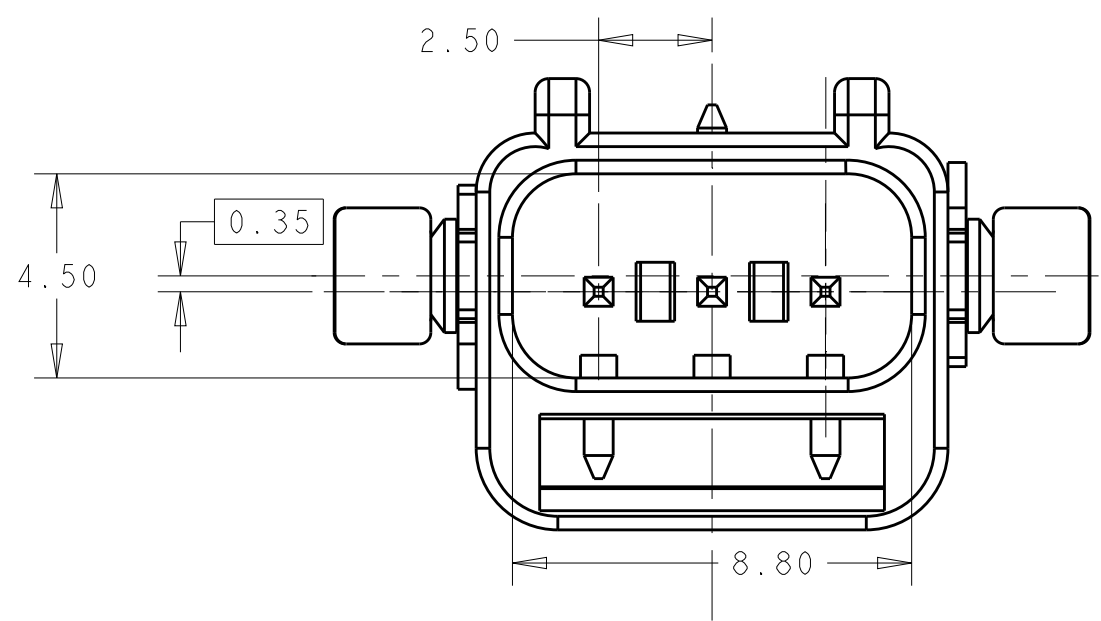


THIS DRAWING IS UNPUBLISHED. RELEASED FOR PUBLICATION 20
 © COPYRIGHT 20 BY - ALL RIGHTS RESERVED.

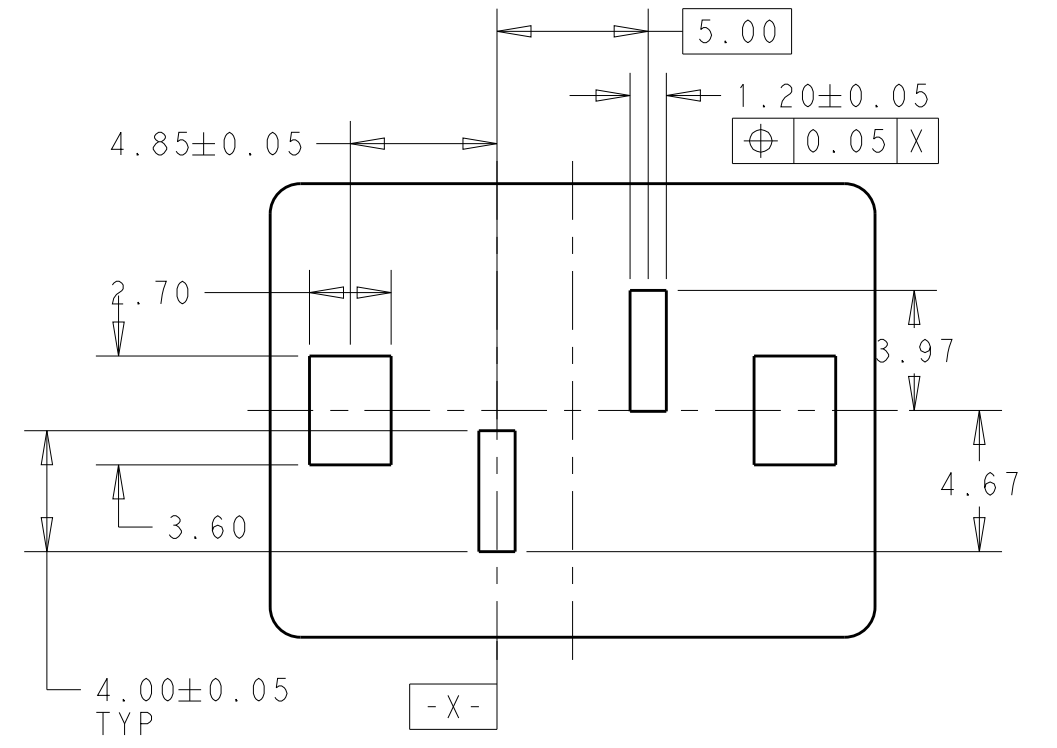
REVISIONS					
P	LTR	DESCRIPTION	DATE	DWN	APVD
A		FIRST VERSION	11APR2017	G.F	S.M
A1		UPDATE THE PAD WIDTH TO 1.20mm	26MAY2017	G.F	S.M
A2		ECR-17-015236 UPDATE PART NO	16OCT2017	G.F	S.M
A3		ECR-18-009817 ADD CAP	31MAY2018	G.F	S.M



- NOTES :
- MATERIALS AND FINISH:
 - HOUSING: LCP
 - CONTACTS: COPPER ALLOY, FINISH: TIN OVER NICKEL UNDERPLATE
 - MUST COMPLY WITH DIRECTIVE 2002/95/EC (ROHS)
 - PACKAGED IN TAPE AND REEL



3P LAYOUT FOR *-2834235-1



2P LAYOUT FOR *-2834235-2

BLACK	2-2834235-2	2P
NATURAL	1-2834235-2	
BLACK	2-2834235-1	3P
NATURAL	1-2834235-1	
COLOR	P/N	POSITION

SCALE 6:1

THIS DRAWING IS A CONTROLLED DOCUMENT.

DIMENSIONS: mm	TOLERANCES UNLESS OTHERWISE SPECIFIED: 0 PLC ± 1 PLC ±0.2 2 PLC ±0.15 3 PLC ± 4 PLC ± ANGLES ± FINISH	DWN GEORGE FU 16OCT2017 CHK GEORGE FU 16OCT2017 APVD SHI MING 16OCT2017	TE Connectivity NAME 2.5MM VERTICAL SMT TYPE WT&B CONNECTOR
NOTE1	NOTE 1	PRODUCT SPEC 108-137266 APPLICATION SPEC 114-137266 WEIGHT -	
CUSTOMER DRAWING		SIZE A2	RESTRICTED TO
SCALE 5:1		SHEET 1 OF 1	REV A3