



Chipsmall Limited consists of a professional team with an average of over 10 year of expertise in the distribution of electronic components. Based in Hongkong, we have already established firm and mutual-benefit business relationships with customers from,Europe,America and south Asia,supplying obsolete and hard-to-find components to meet their specific needs.

With the principle of "Quality Parts,Customers Priority,Honest Operation,and Considerate Service",our business mainly focus on the distribution of electronic components. Line cards we deal with include Microchip,ALPS,ROHM,Xilinx,Pulse,ON,Everlight and Freescale. Main products comprise IC,Modules,Potentiometer,IC Socket,Relay,Connector.Our parts cover such applications as commercial,industrial, and automotives areas.

We are looking forward to setting up business relationship with you and hope to provide you with the best service and solution. Let us make a better world for our industry!



Contact us

Tel: +86-755-8981 8866 Fax: +86-755-8427 6832

Email & Skype: info@chipsmall.com Web: www.chipsmall.com

Address: A1208, Overseas Decoration Building, #122 Zhenhua RD., Futian, Shenzhen, China



4

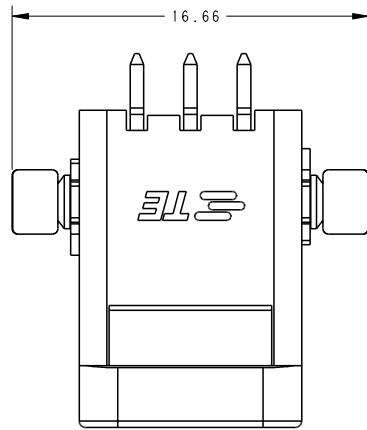
3

2

1

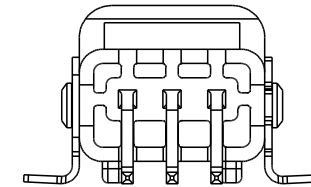
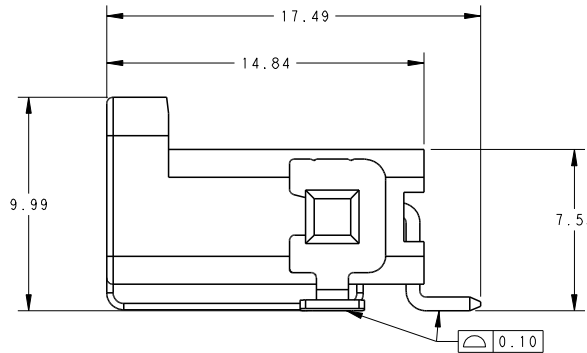
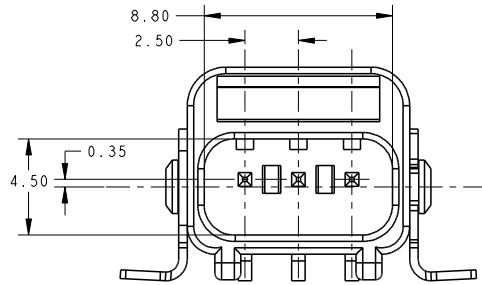
THIS DRAWING IS UNPUBLISHED. RELEASED FOR PUBLICATION 20
© COPYRIGHT 20 BY - ALL RIGHTS RESERVED.

REVISIONS				
P	LYR	DESCRIPTION	DATE	DWN APVD
A		FIRST VERSION	14MAR2017	G.F S.M
A1		UPDATE THE PAD WIDTH	26MAY2017	G.F S.M
A2		ECR-17-015236:UPDATE THE P/N	16OCT2017	G.F S.M
A3		ECR-18-009817	17APR2018	S.G S.M

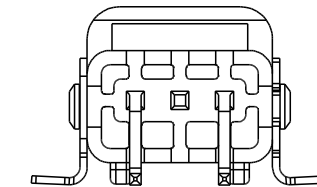


NOTES :

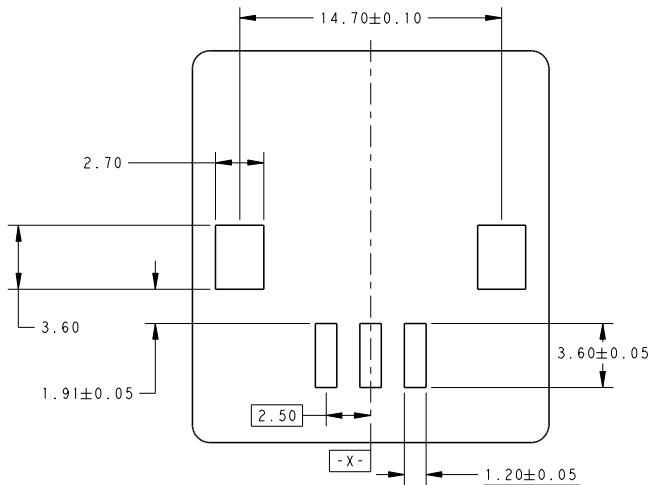
- MATERIALS AND FINISH:
 - HOUSING: LCP
 - CONTACTS: COPPER ALLOY, FINISH: TIN OVER NICKEL UNDERPLATE
- MUST COMPLY WITH DIRECTIVE 2002/95/EC (ROHS)
- PACKAGED IN TAPE AND REEL



3P: *-2834236-1



2P: *-2834236-2



*-2834236-1&-2 PCB LAYOUT

BLACK	2-2834236-2	2P
NATURAL	1-2834236-2	
BLACK	2-2834236-1	3P
NATURAL	1-2834236-1	
COLOR	P/N	POSITION

THIS DRAWING IS A CONTROLLED DOCUMENT.		DWN: GEORGE FU 16OCT2017	TE Connectivity	
DIMENSIONS: (mm)		CHK: GEORGE FU 16OCT2017		
TOLERANCES UNLESS OTHERWISE SPECIFIED:		APVD: SHEI MING 16OCT2017	NAME: 2.5MM R/A SMT TYPE	
0 PLC ± 1 PLC ±0.2 2 PLC ±0.15 3 PLC ± 4 PLC ± ANGLES ± FINISH *		PRODUCT SPEC: 108-137266	WTB CONNECTOR	
MATERIAL NOTE 1		APPLICATION SPEC: 114-137266	SIZE: A2	RESTRICTED TO: A3
		WEIGHT: -	CAGE CODE: -	DRAWING NO: C=2834236
		RESTRICTED CUSTOMER	SCALE: 4:1	SHEET 1 OF 2

4

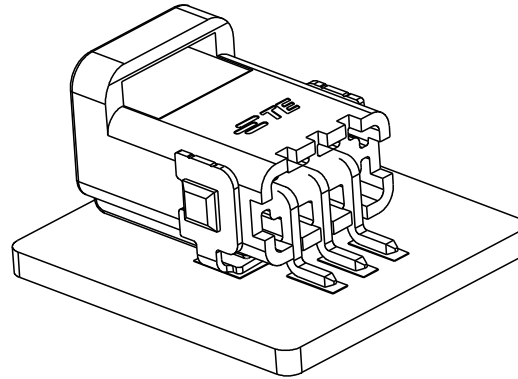
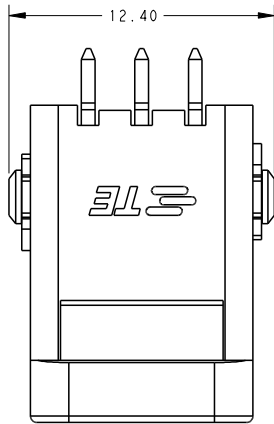
3

2

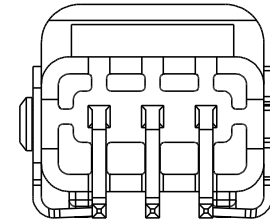
1

THIS DRAWING IS UNPUBLISHED. RELEASED FOR PUBLICATION 20
 © COPYRIGHT 20 BY - ALL RIGHTS RESERVED.

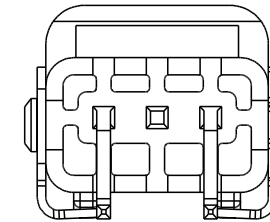
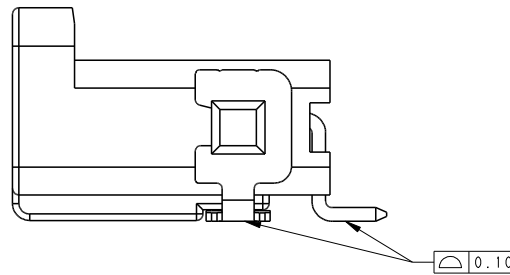
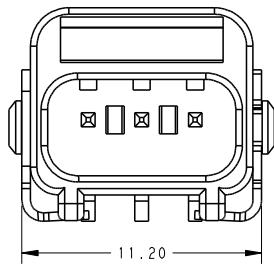
REVISIONS				
P	LYR	DESCRIPTION	DATE	APVD



NOTE:
 MORE DIMENSIONS PLEASE FOLLOW PAGE ONE.

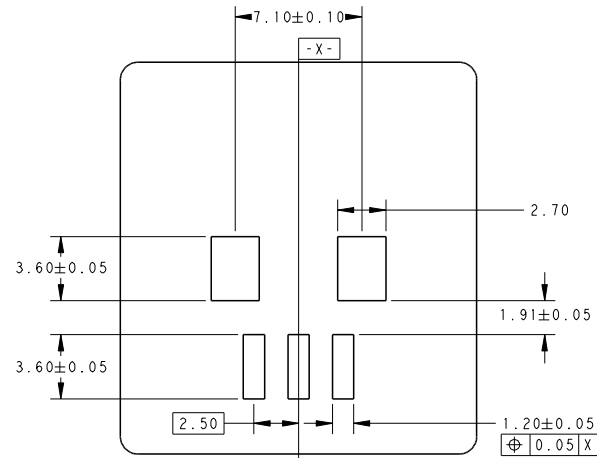


3P: *-2834236-3



2P: *-2834236-4

BLACK	2-2834236-4	2P
NATURAL	1-2834236-4	2P
BLACK	2-2834236-3	3P
NATURAL	1-2834236-3	3P
COLOR	P/N	POSITION



*-2834236-3&-4 PCB LAYOUT

DIMENSIONS:		TOLERANCES UNLESS OTHERWISE SPECIFIED:		DWN - GEORGE FU 16OCT2017		REV - GEORGE FU 16OCT2017	
mm	0 PLC ±	1 PLC ±0.2	2 PLC ±0.15	APVD - SHI MING 16OCT2017	NAME	TE Connectivity	
⌀	3 PLC ±	4 PLC ±	ANGLES ±	PRODUCT SPEC	2.5MM R/A SMT TYPE		
MATERIAL	FINISH	NOTE 1	NOTE 1	APPLICATION SPEC	WTB CONNECTOR		
NOTE 1	NOTE 1	WEIGHT	RESTRICTED TO	SIZE	CAGE CODE	DRAWING NO	RESTRICTED TO
				108-137266	A2	-	©=2834236
				114-137266	SCALE	4:1	SHEET 2 OF 2
				RESTRICTED CUSTOMER	REV	A3	