



Chipsmall Limited consists of a professional team with an average of over 10 year of expertise in the distribution of electronic components. Based in Hongkong, we have already established firm and mutual-benefit business relationships with customers from,Europe,America and south Asia,supplying obsolete and hard-to-find components to meet their specific needs.

With the principle of “Quality Parts,Customers Priority,Honest Operation,and Considerate Service”,our business mainly focus on the distribution of electronic components. Line cards we deal with include Microchip,ALPS,ROHM,Xilinx,Pulse,ON,Everlight and Freescale. Main products comprise IC,Modules,Potentiometer,IC Socket,Relay,Connector.Our parts cover such applications as commercial,industrial, and automotives areas.

We are looking forward to setting up business relationship with you and hope to provide you with the best service and solution. Let us make a better world for our industry!



Contact us

Tel: +86-755-8981 8866 Fax: +86-755-8427 6832

Email & Skype: info@chipsmall.com Web: www.chipsmall.com

Address: A1208, Overseas Decoration Building, #122 Zhenhua RD., Futian, Shenzhen, China

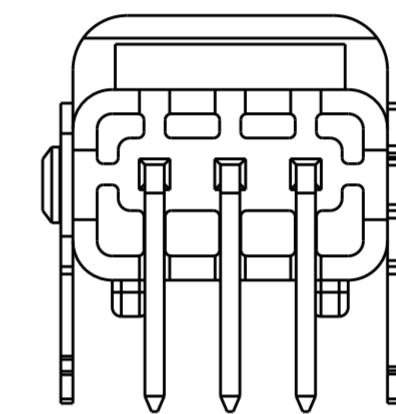
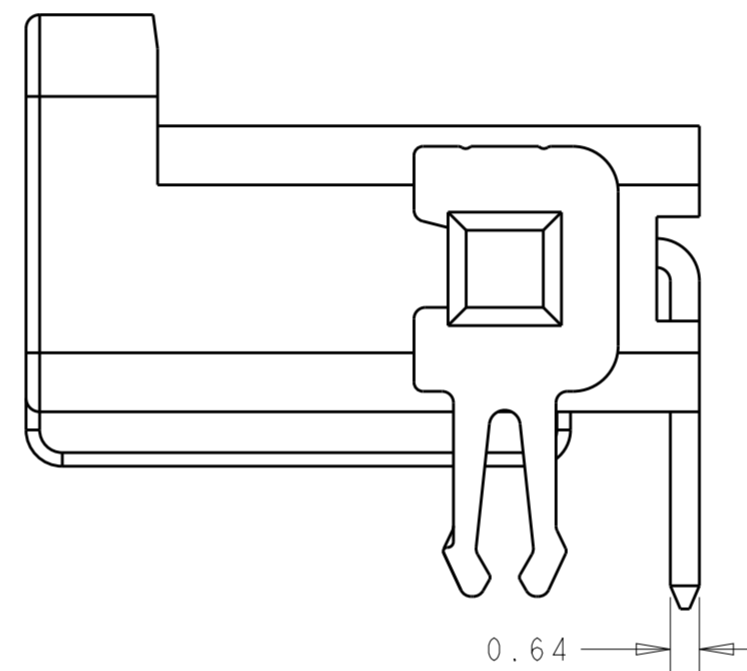
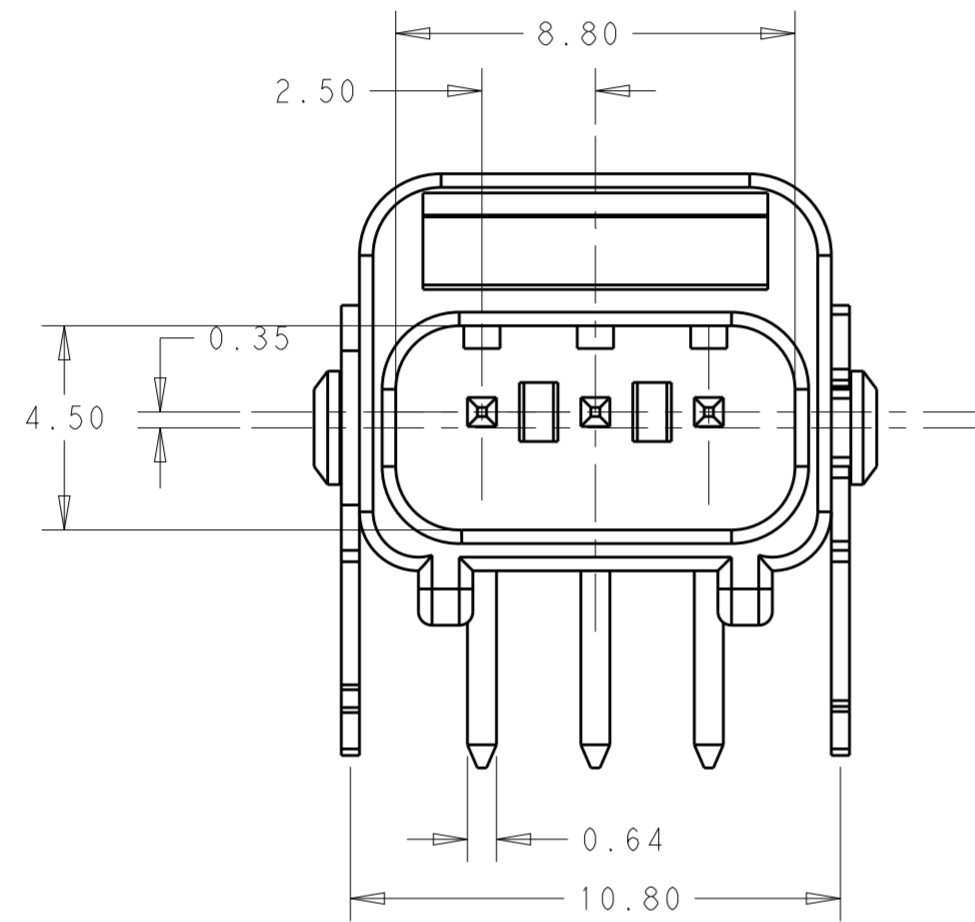
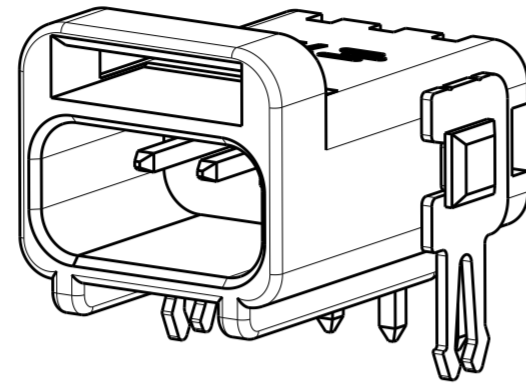


THIS DRAWING IS UNPUBLISHED. RELEASED FOR PUBLICATION
 © COPYRIGHT copyright.d8te- ALL RIGHTS RESERVED.

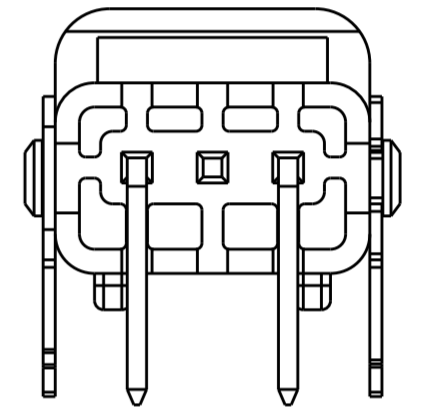
REVISIONS					
P	LTR	DESCRIPTION	DATE	DWN	APVD
A		FIRST VERSION	25APR2017	G.F	S.M
A1		ECR-17-015236: ADD COLOR P/N	16OCT2017	G.F	S.M
A2		ECR-18-009817	28JUN2018	G.F	S.M

NOTES :

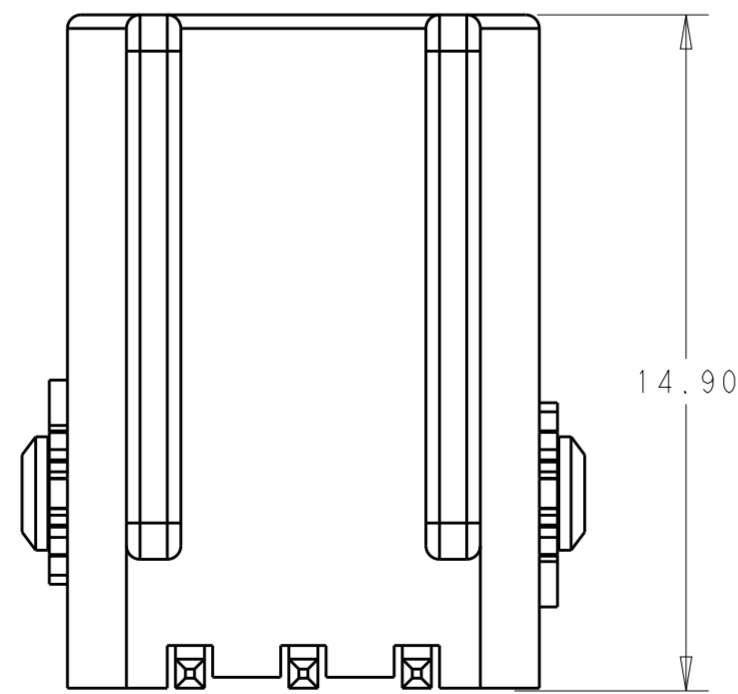
- MATERIALS AND FINISH:
 - HOUSING: LCP
 - CONTACTS: COPPER ALLOY, FINISH: TIN OVER NICKEL UNDERPLATE
- MUST COMPLY WITH DIRECTIVE 2002/95/EC (ROHS)
- PACKAGED IN TRAY



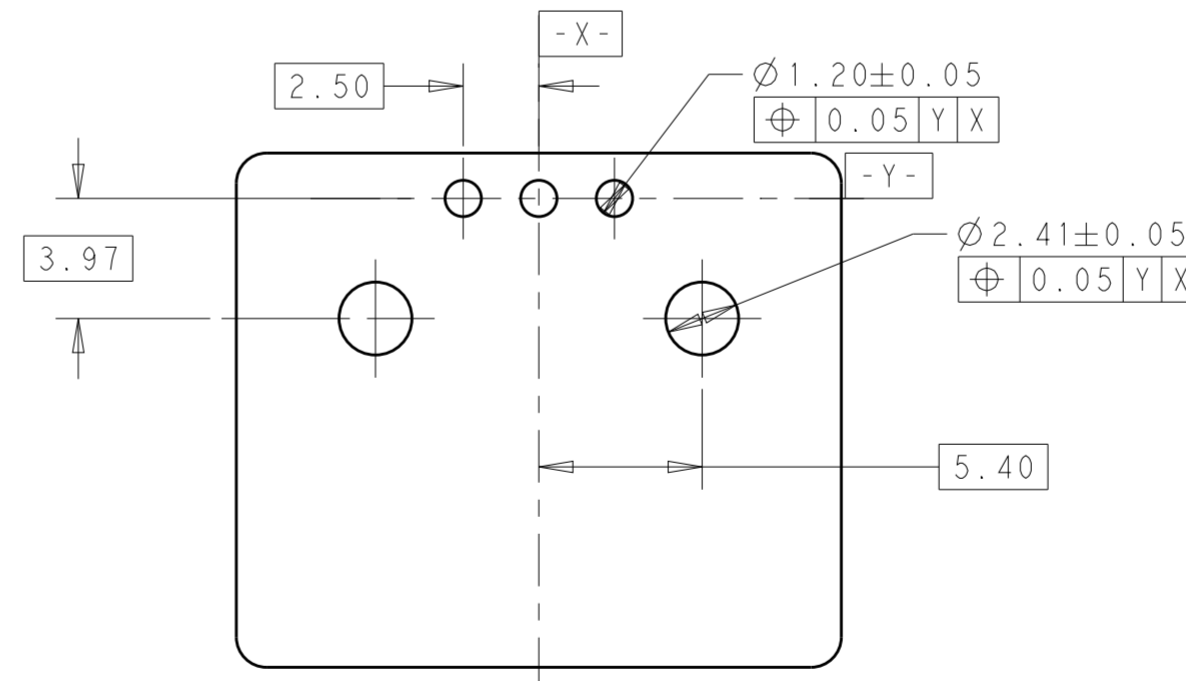
3P: *-2834238-1



2P: *-2834238-2



SCALE 6:1



PCB LAYOUT
SCALE 4:1

COLOR	PART NO	POSITION
WHITE	5-2834238-2	2P
GRAY	4-2834238-2	
RED	3-2834238-2	
BLACK	2-2834238-2	3P
NATURAL	1-2834238-2	
WHITE	5-2834238-1	
GRAY	4-2834238-1	
RED	3-2834238-1	
BLACK	2-2834238-1	
NATURAL	1-2834238-1	

THIS DRAWING IS A CONTROLLED DOCUMENT.

DWN: GEORGE FU 16OCT2017
 CHK: GEORGE FU 16OCT2017
 APVD: SHI MING 16OCT2017

STE TE Connectivity

NAME: 2.5mm PITCH RA TH WtoB CONN.

SIZE: A2 CAGE CODE: - DRAWING NO: C-2834238 RESTRICTED TO: -

SCALE: 4:1 SHEET: 1 OF 1 REV: A2

CUSTOMER DRAWING