



Chipsmall Limited consists of a professional team with an average of over 10 year of expertise in the distribution of electronic components. Based in Hongkong, we have already established firm and mutual-benefit business relationships with customers from,Europe,America and south Asia,supplying obsolete and hard-to-find components to meet their specific needs.

With the principle of “Quality Parts,Customers Priority,Honest Operation,and Considerate Service”,our business mainly focus on the distribution of electronic components. Line cards we deal with include Microchip,ALPS,ROHM,Xilinx,Pulse,ON,Everlight and Freescale. Main products comprise IC,Modules,Potentiometer,IC Socket,Relay,Connector.Our parts cover such applications as commercial,industrial, and automotives areas.

We are looking forward to setting up business relationship with you and hope to provide you with the best service and solution. Let us make a better world for our industry!



## Contact us

Tel: +86-755-8981 8866 Fax: +86-755-8427 6832

Email & Skype: info@chipsmall.com Web: www.chipsmall.com

Address: A1208, Overseas Decoration Building, #122 Zhenhua RD., Futian, Shenzhen, China



4

3

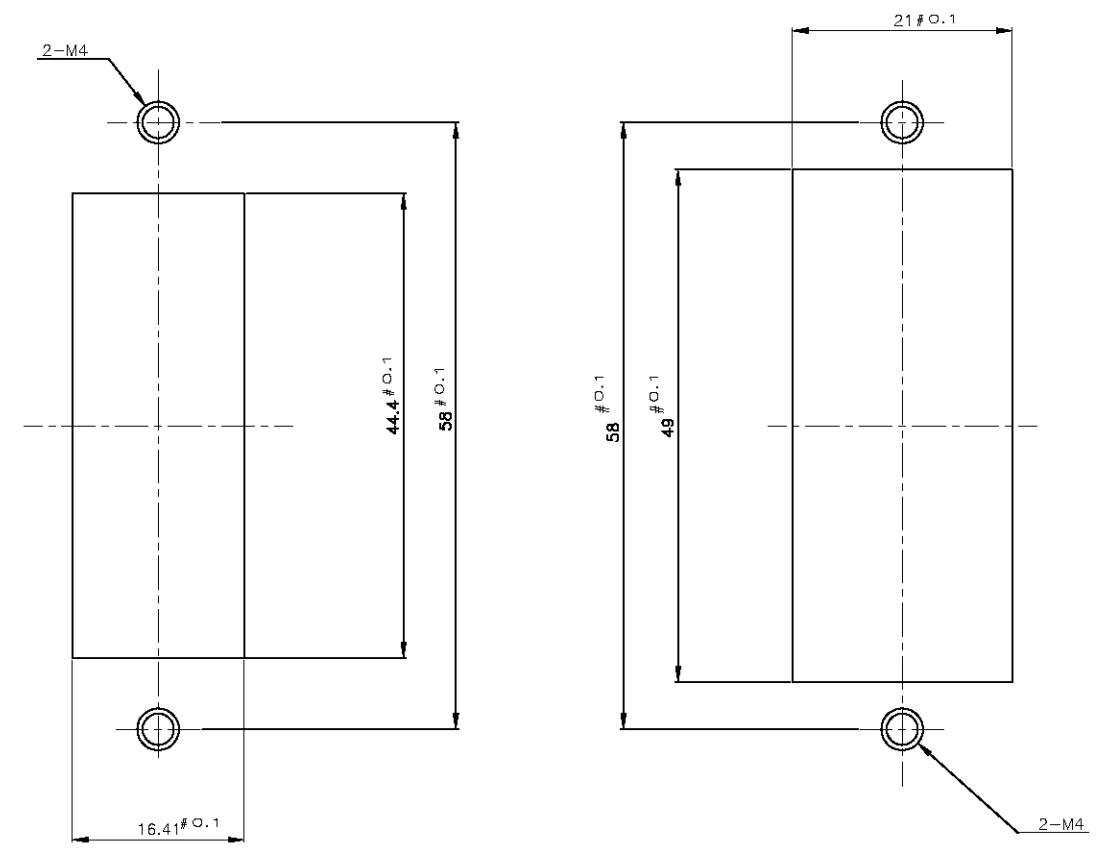
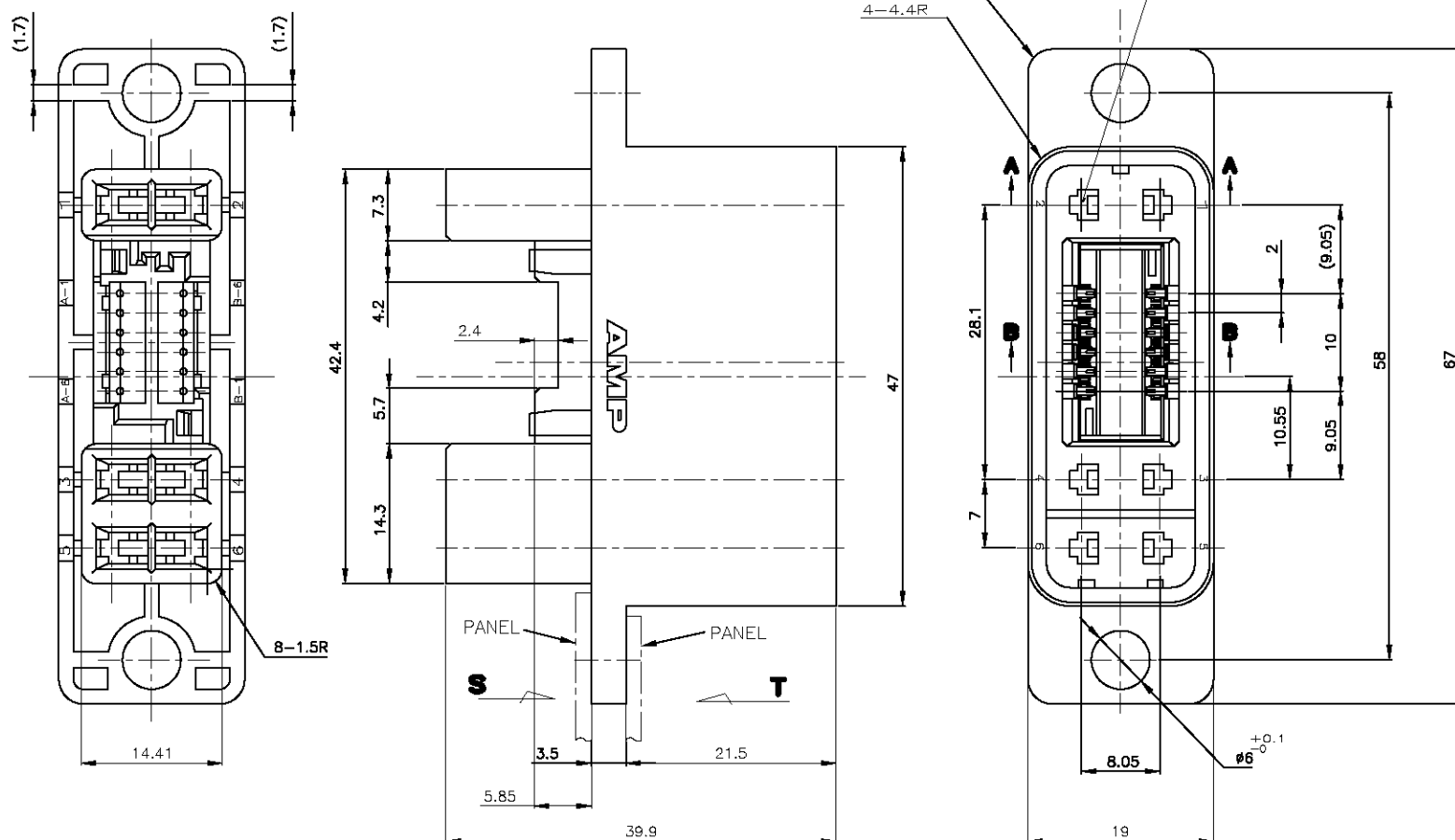
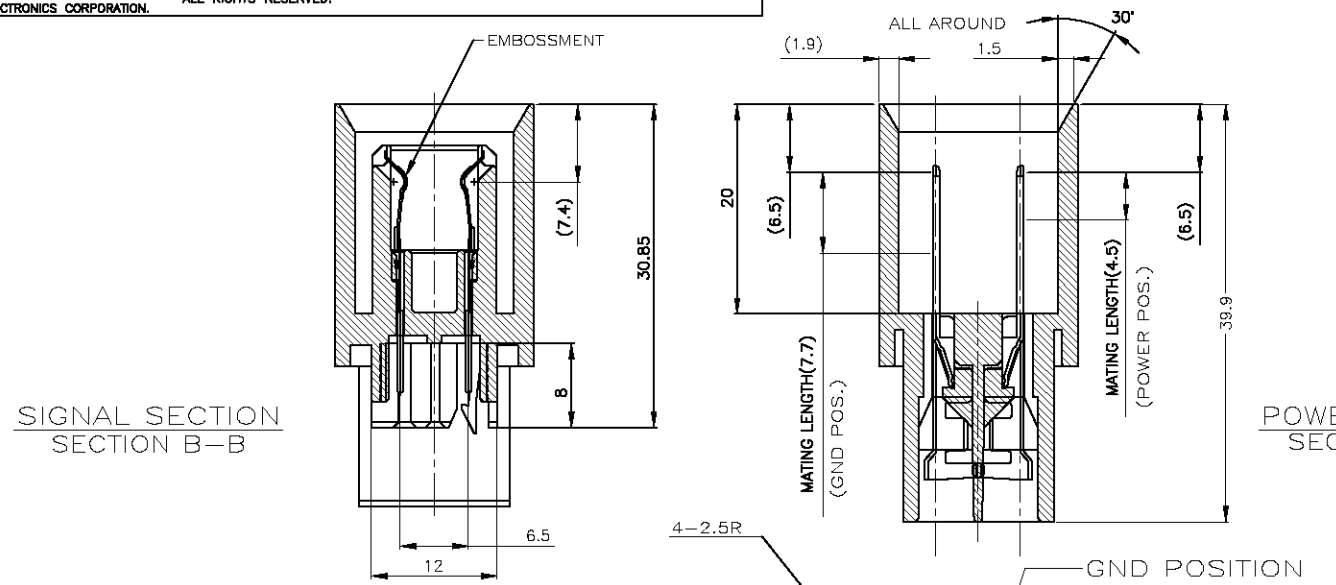
2

1

THIS DRAWING IS UNPUBLISHED. RELEASED FOR PUBLICATION  
 © COPYRIGHT BY TYCO ELECTRONICS CORPORATION. ALL RIGHTS RESERVED.

LOC	DIST	REVISIONS					
ES	00	P	LTR	DESCRIPTION	DATE	DWN	APVD
		A		REVISED FB00-0217-04	16DEC04	H.H	I.E

### PANEL CUT DIMENSIONS



**NOTES**

- MATERIAL  
HOUSING: THERMO PLASTIC  
CONTACT: COPPER ALLOY
- CONTACT FINISH  
MATING SIDE: NICKEL PL. ALL OVER GOLD PL.  
CT MATING SIDE: NICKEL PL. ALL OVER MATTE TIN PL.
- APPLIED POWER CONTACT P/N

FINISH	AWG	STRIP	LOOSE PIECE
GOLD PL.	#16~20	179321-3	
TIN PL.	#16~20	1-179321-2	
	#20~24	179322-3	
	#20~24	1-179322-2	

△ P: NUMBER OF POWER CONTACT (UNLOADED)  
 S: NUMBER OF SIGNAL CONTACT (PRELOADED)

I.D.C TYPE		CRIMP TYPE				
1-175133-2	173977-6	CRIMP I: 1-179472-2	CONT.: 179227-1 HSG: 179228-6	1-292186-2	6-12	1-292183-2
APPLIED CT HOLDER P/N	APPLIED CT CONN P/N	APPLIED CT HOLDER P/N	APPLIED CT CONN P/N	MATING COUNTER P/N	POS △ (P-S)	P/N

TOLERANCES UNLESS OTHERWISE SPECIFIED  
 10 > \* : ±0.2  
 30 > \* > 10 : ±0.25  
 100 > \* > 30 : ±0.3  
 ANGLE : ±3'

THIS DRAWING IS A CONTROLLED DOCUMENT.  
 DIMENSIONS: MM  
 MATERIAL: SEE NOTE  
 TOLERANCES UNLESS OTHERWISE SPECIFIED:  
 0 PLC ±  
 1 PLC ±  
 2 PLC ±  
 3 PLC ±  
 4 PLC ±  
 ANGLES ±

THIS DRAWING IS A CONTROLLED DOCUMENT.

DWN J. JIANG	05FEB03	 Tyco Electronics Corporation Shanghai, P.R.China, 200233
CHK S. YAO	05FEB03	
APVD T. SASAKI	05FEB03	

NAME: HYBRID MINI DRAWER CONN. PLUG ASS'Y 6-12(18P)

PRODUCT SPEC: 108-60022

APPLICATION SPEC: 114-5182, 114-5238

SIZE: A2    CAGE CODE: 00779    DRAWING NO: C-292183    RESTRICTED TO: -

CUSTOMER DRAWING    SCALE: 2:1    SHEET: 1 OF 1    REV: A