



Chipsmall Limited consists of a professional team with an average of over 10 year of expertise in the distribution of electronic components. Based in Hongkong, we have already established firm and mutual-benefit business relationships with customers from,Europe,America and south Asia,supplying obsolete and hard-to-find components to meet their specific needs.

With the principle of “Quality Parts,Customers Priority,Honest Operation,and Considerate Service”,our business mainly focus on the distribution of electronic components. Line cards we deal with include Microchip,ALPS,ROHM,Xilinx,Pulse,ON,Everlight and Freescale. Main products comprise IC,Modules,Potentiometer,IC Socket,Relay,Connector.Our parts cover such applications as commercial,industrial, and automotives areas.

We are looking forward to setting up business relationship with you and hope to provide you with the best service and solution. Let us make a better world for our industry!



Contact us

Tel: +86-755-8981 8866 Fax: +86-755-8427 6832

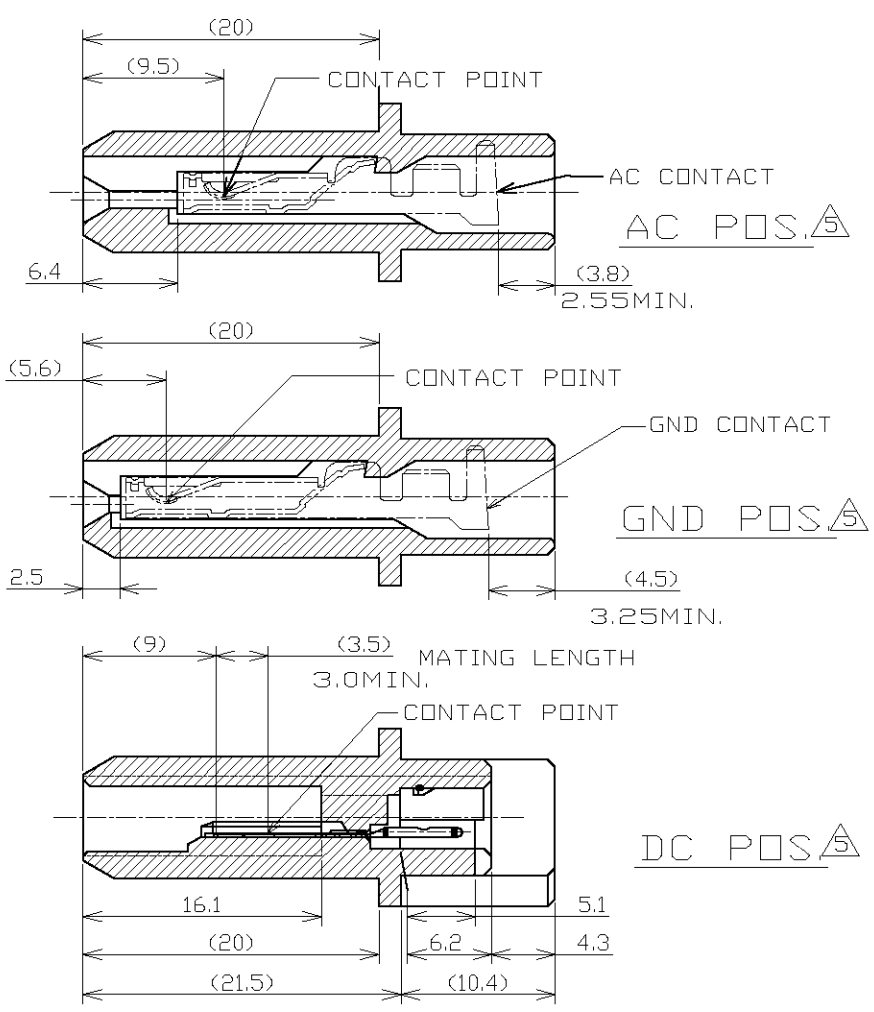
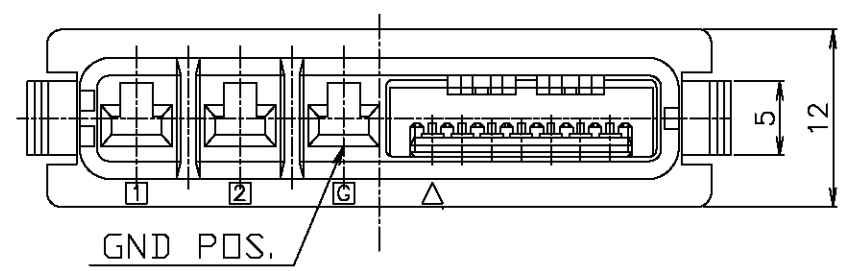
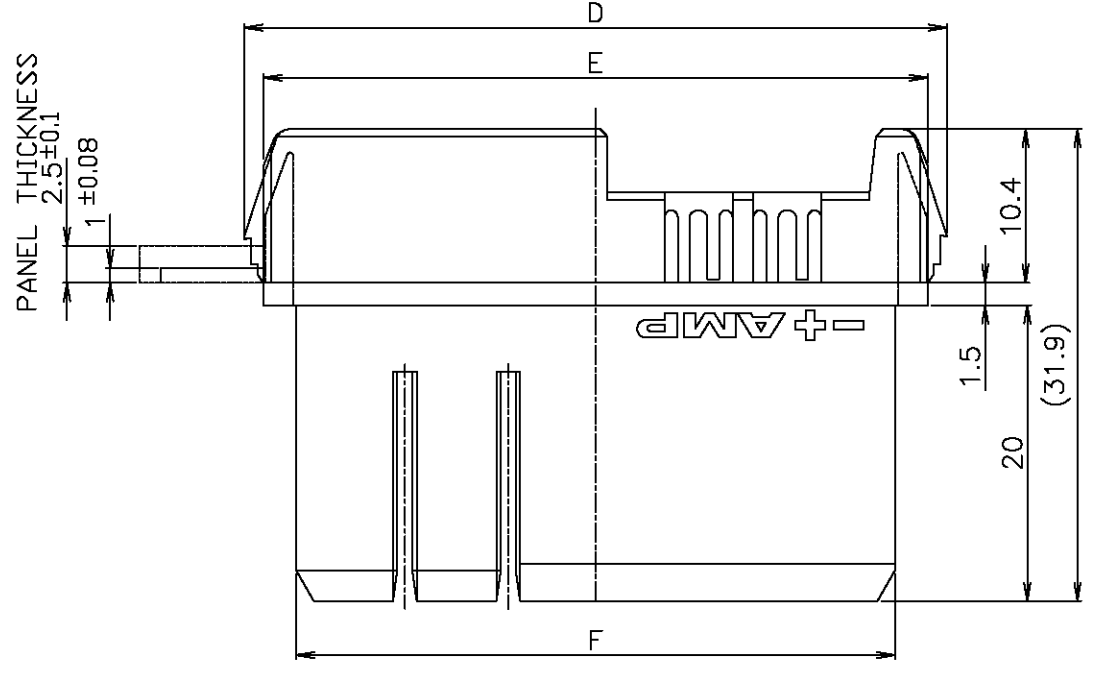
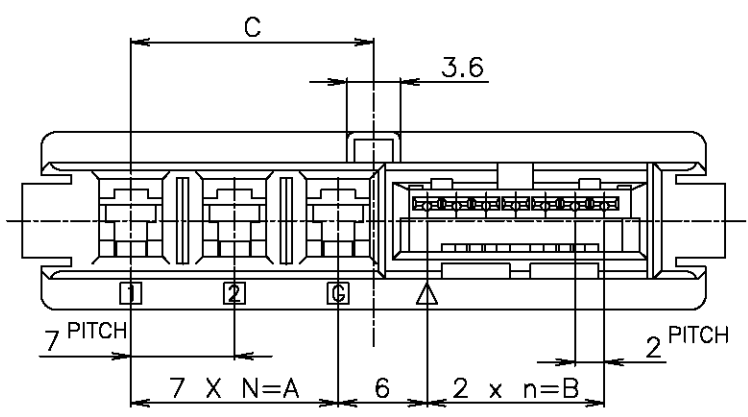
Email & Skype: info@chipsmall.com Web: www.chipsmall.com

Address: A1208, Overseas Decoration Building, #122 Zhenhua RD., Futian, Shenzhen, China



THIS DRAWING IS UNPUBLISHED. RELEASED FOR PUBLICATION
 © COPYRIGHT BY TYCO ELECTRONICS CORPORATION. ALL RIGHTS RESERVED.

LOC	DIST	REVISIONS			
P	LTR	DESCRIPTION	DATE	DWN	APVD
ES	00	B	REVISED FB00-0217-04	16DEC04	H.H I.E



NOTES

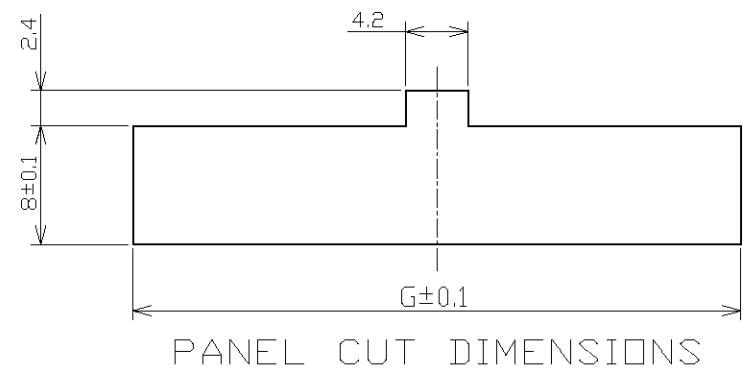
- MATERIAL
HOUSING: THERMO PLASTIC (BLACK)
CONTACT: COPPER ALLOY
- CONTACT FINISH
MATING SIDE: NICKEL PL.
ALL OVER GOLD PL.
CT MATING SIDE: NICKEL PL.
ALL OVER MATTE TIN PL.
- APPLIED AC CONTACT P/N

FINISH	AWG	P/N
TIN PL.	#16~20	1-179316-2
Au PL.	#16~20	179316-4

- APPLIED GND CONTACT P/N

FINISH	AWG	P/N
TIN PL.	#16~20	1-316458-2
Au PL.	#16~20	316458-4

△ AC: POWER CONTACT (UNLOADED)
 GND: GROUND CONTACT (UNLOADED)
 DC: SIGNAL CONTACT (PRELOADED)



MT TYPE: 173977-7 CLIMPII TYPE: 179228-7	2-292189-3	45.1	40.5	44.9	47.5	16.4	12	14	6	2	DC7 GND1 AC2	1-292192-3
APPLIED CT CONN P/N	MATING COUNTER P/N	G	F	E	D	C	B	A	n	N	POS	PART NO.

THIS DRAWING IS A CONTROLLED DOCUMENT.

DWN J.JIANG 05FEB03	 Tyco Electronics Corporation Shanghai, P.R.China, 200233
CHK S.YAO 05FEB03	
APVD T.SASAKI 05FEB03	
PRODUCT SPEC 108-60023	
APPLICATION SPEC	NAME HYBRID SF DRAWER CONN. RECEPTACLE ASSEMBLY
WEIGHT	RESTRICTED TO -
CUSTOMER DRAWING	SIZE A3
	CAGE CODE 00779
	DRAWING NO C-292192
	SCALE 2:1
	SHEET 1 OF 1
	REV B