



Chipsmall Limited consists of a professional team with an average of over 10 year of expertise in the distribution of electronic components. Based in Hongkong, we have already established firm and mutual-benefit business relationships with customers from,Europe,America and south Asia,supplying obsolete and hard-to-find components to meet their specific needs.

With the principle of "Quality Parts,Customers Priority,Honest Operation,and Considerate Service",our business mainly focus on the distribution of electronic components. Line cards we deal with include Microchip,ALPS,ROHM,Xilinx,Pulse,ON,Everlight and Freescale. Main products comprise IC,Modules,Potentiometer,IC Socket,Relay,Connector.Our parts cover such applications as commercial,industrial, and automotives areas.

We are looking forward to setting up business relationship with you and hope to provide you with the best service and solution. Let us make a better world for our industry!



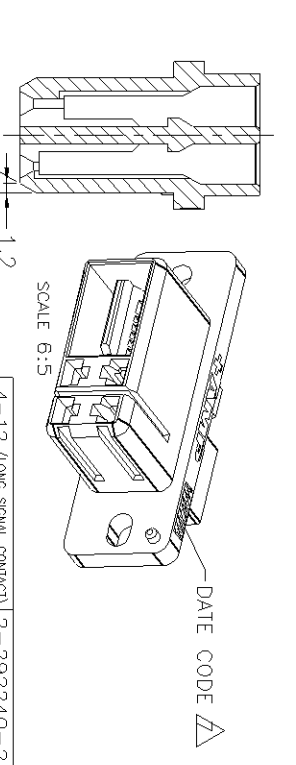
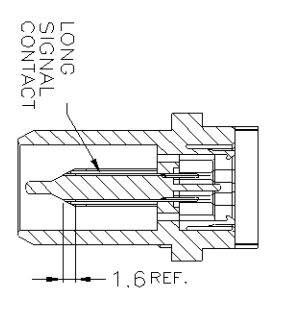
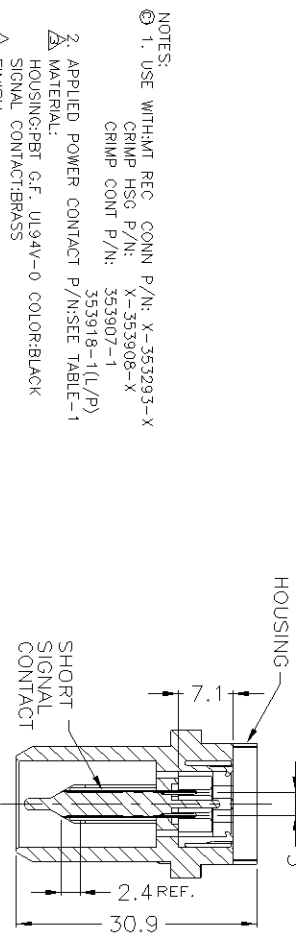
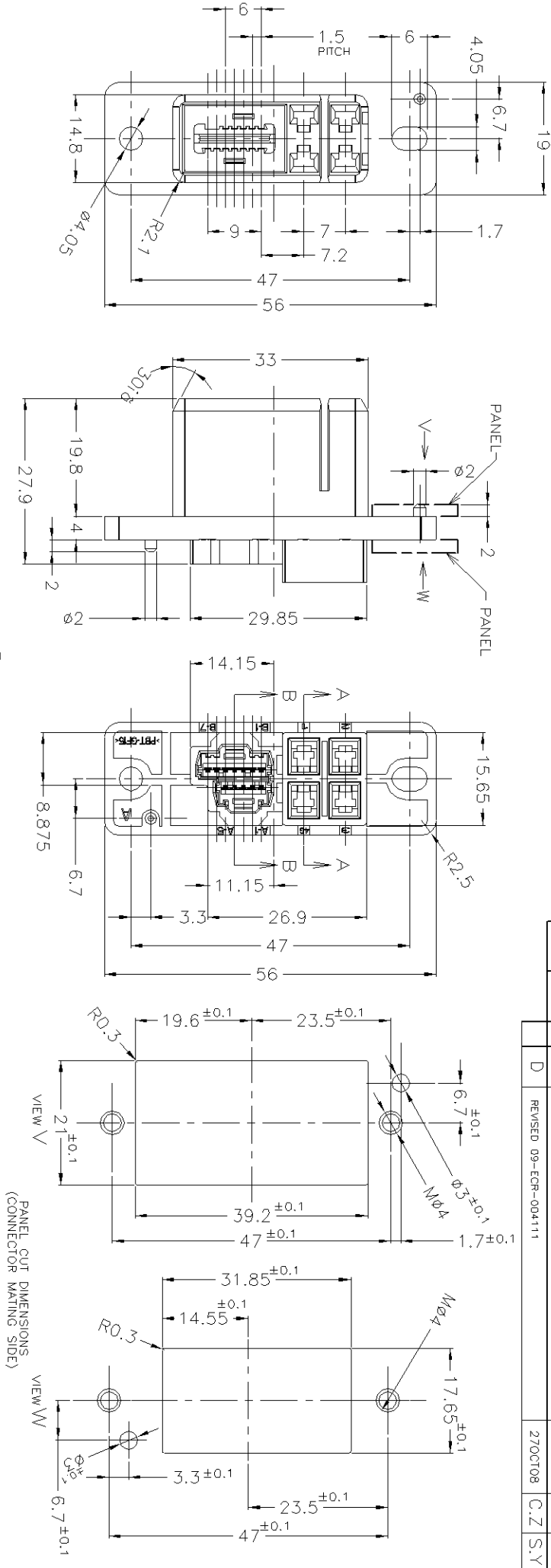
Contact us

Tel: +86-755-8981 8866 Fax: +86-755-8427 6832

Email & Skype: info@chipsmall.com Web: www.chipsmall.com

Address: A1208, Overseas Decoration Building, #122 Zhenhua RD., Futian, Shenzhen, China





NOTES:

1. USE WITH/MT REC. CONN. P/N: X-353993-X
CRIMP HSG P/N: X-353908-X
CRIMP CONT P/N: 353907-1
2. APPLIED POWER CONTACT P/N: SEE TABLE-1
MATERIAL: HOUSING: PBT G.F. U94V-0 COLOR: BLACK
SIGNAL CONTACT: BRASS
3. FINISH: CONTACT: NICKEL UNDERPLATE ALL OVER
CONTACT AREA: GOLD PLATE.
POST AREA: MATTE TIN PLATE.
P/NUMBER OF POWER CONTACT (UNASSEMBLED)
4. NUMBER OF SIGNAL CONTACT (ASSEMBLED)
5. MATING COUNTER P/N: 1-292239-2
LOCATION OF DATE CODE: AABBD(N)
(AA: YEAR, BB: WEEK, C: DAY OF WEEK, D: DAYTIME, N: NIGHT)

1-292240-2 AS SHOWN
2-292240-2 AS SHOWN

SECTION B-B
SECTION C-C
SECTION D-D

SECTION A-A

DATE CODE

4-12 (LONG SIGNAL CONTACT) 2-292240-2
4-12 (SHORT SIGNAL CONTACT) 1-292240-2

Pos. A
(P-S)

P/N

TABLE-1

FINISH	AWG	POWER GND CONTACT STRIP	LOOSE PIECE	POWER CONTACT STRIP	LOOSE PIECE
GOLD	#16-20	316458-4	179316-4	179317-4	179317-4
PLT	#20-24	---	---	---	---
TIN	#16-20	1-316458-2	1-179316-2	1-179317-2	1-179317-2
PLT	#16-20	1-1123943-2	---	---	---

TOLERANCES UNLESS OTHERWISE SPECIFIED:

10 > : ±0.25
30 > * : ±0.3
100 > * : ±0.3
ANGLE : ±3°

DIMENSIONS	TOLERANCES UNLESS OTHERWISE SPECIFIED
0 PIC	±
1 PIC	±
2 PIC	±
3 PIC	±
4 PIC	±
FINISH ANGLES	±

THIS DRAWING IS A CONTROLLED DOCUMENT.

DWN S.XU 31JAN03

CHK S.YAO 31JAN03

AP'D T.SASAKI

Product spec 108-60027

APPLICATION SPEC 114-5182

WEIGHT

CUSTOMER DRAWING

NAME Tyco Electronics
Shanghai, P.R.China, 200233

REC ASS'Y for 1.5mm PITCH MINI CT
HYBRID DRAWER CONNECTOR

SIZE PAGE CODE DRAWING NO

A3 00779 C-292240

RESTRICTED TO

SCALE 1:1 SHEET 1 of 1 REV D