



Chipsmall Limited consists of a professional team with an average of over 10 year of expertise in the distribution of electronic components. Based in Hongkong, we have already established firm and mutual-benefit business relationships with customers from,Europe,America and south Asia,supplying obsolete and hard-to-find components to meet their specific needs.

With the principle of “Quality Parts,Customers Priority,Honest Operation,and Considerate Service”,our business mainly focus on the distribution of electronic components. Line cards we deal with include Microchip,ALPS,ROHM,Xilinx,Pulse,ON,Everlight and Freescale. Main products comprise IC,Modules,Potentiometer,IC Socket,Relay,Connector.Our parts cover such applications as commercial,industrial, and automotives areas.

We are looking forward to setting up business relationship with you and hope to provide you with the best service and solution. Let us make a better world for our industry!



Contact us

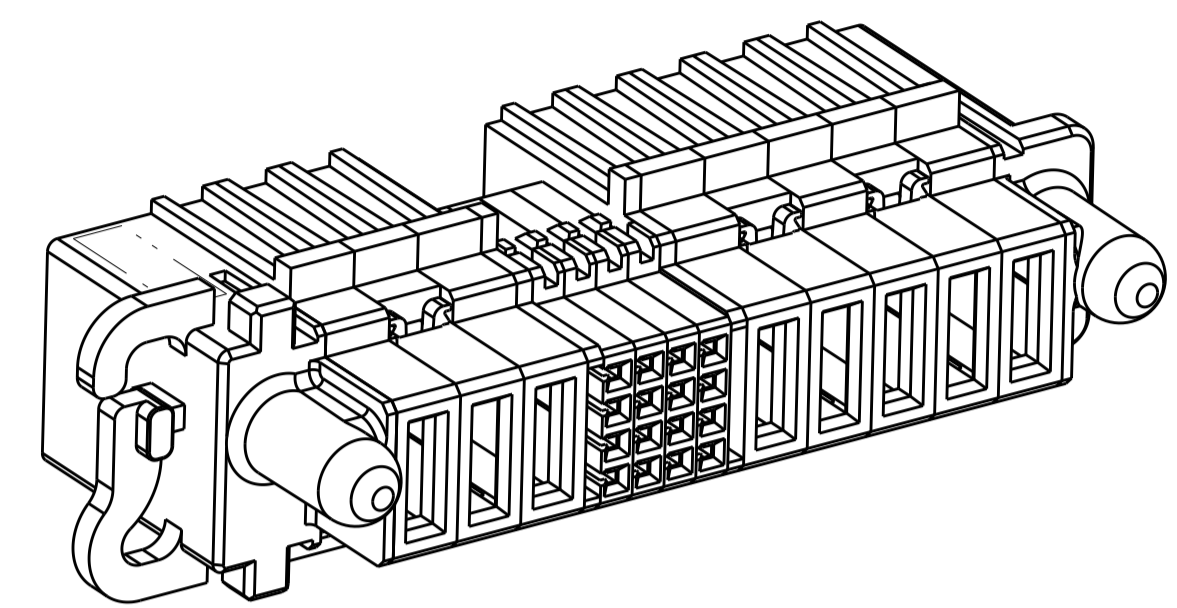
Tel: +86-755-8981 8866 Fax: +86-755-8427 6832

Email & Skype: info@chipsmall.com Web: www.chipsmall.com

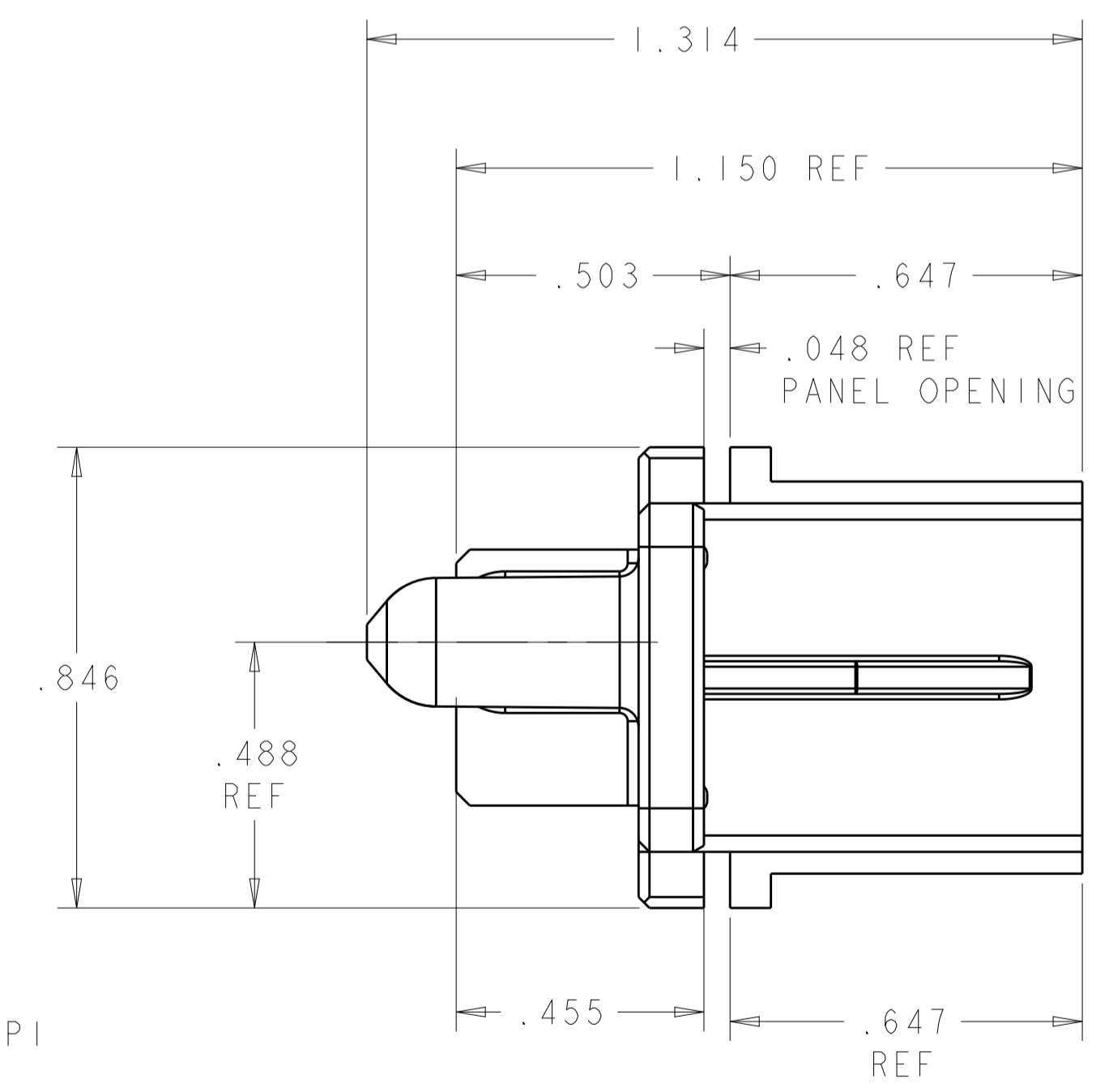
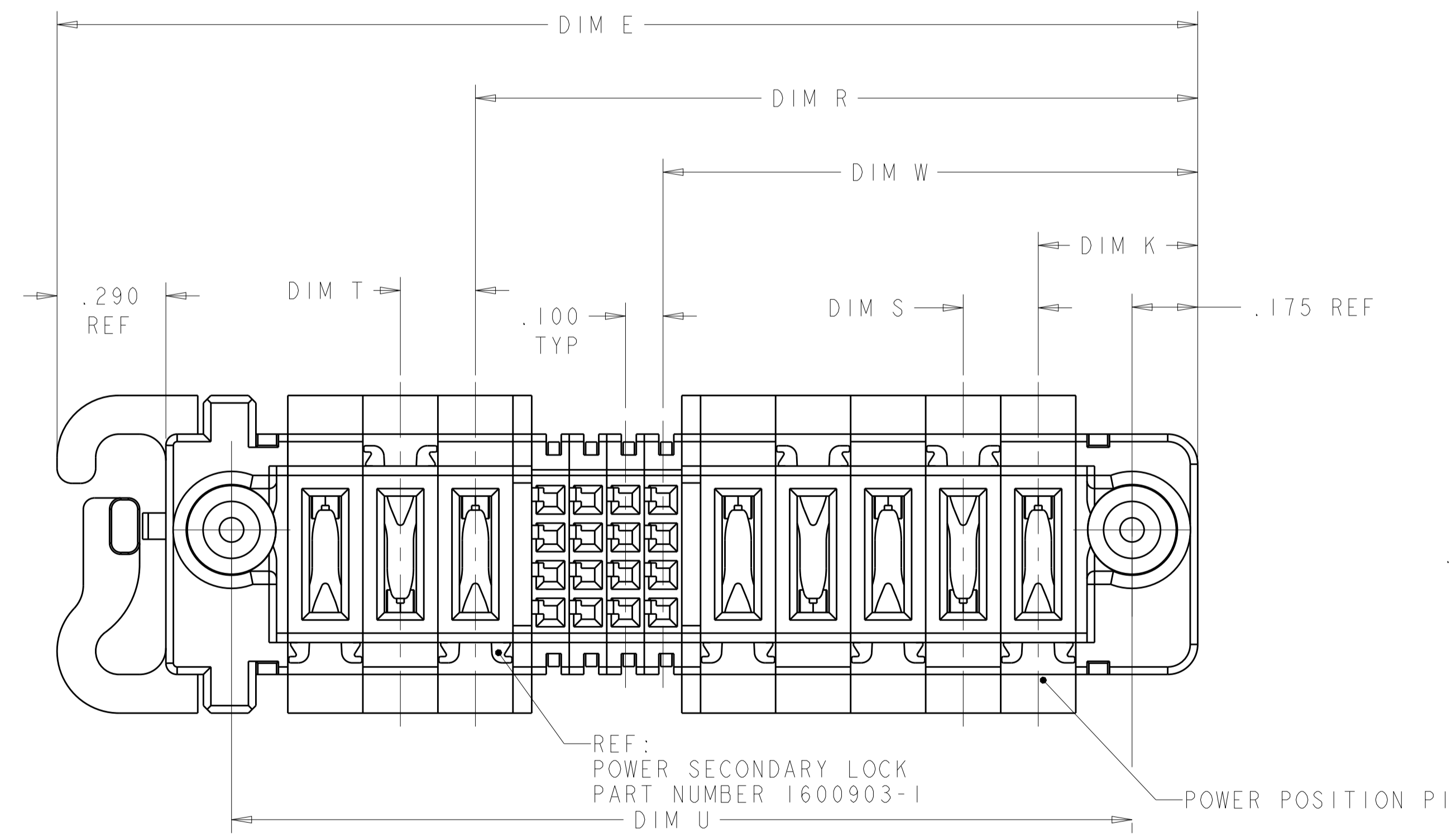
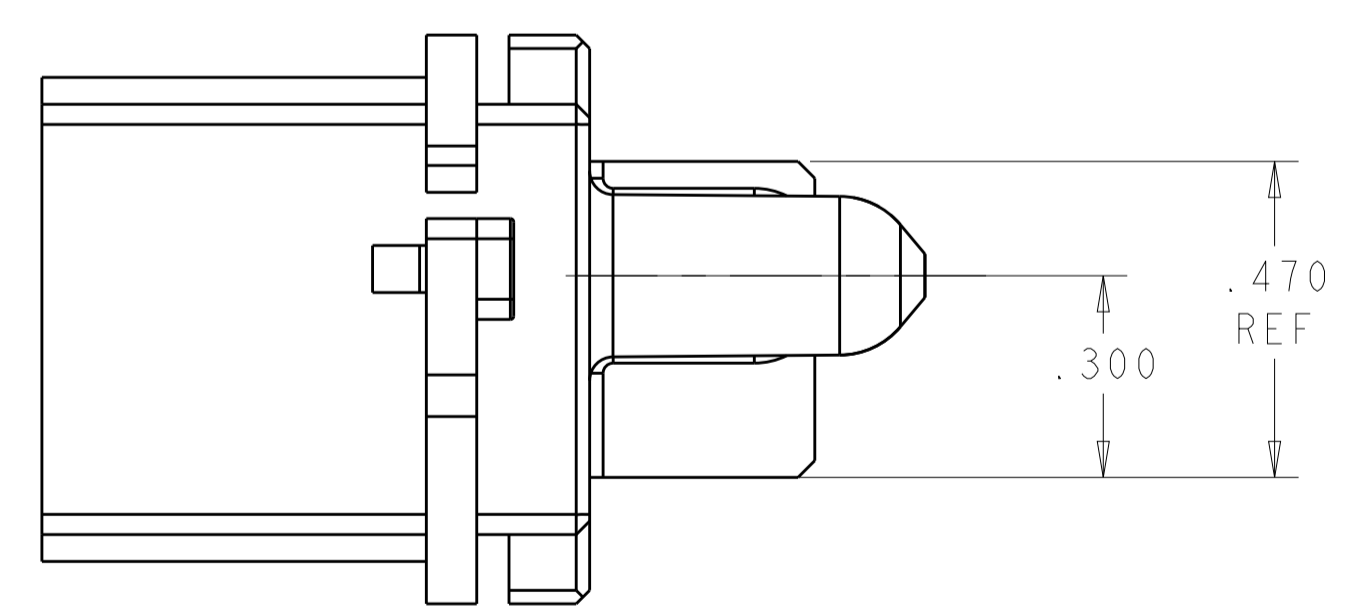
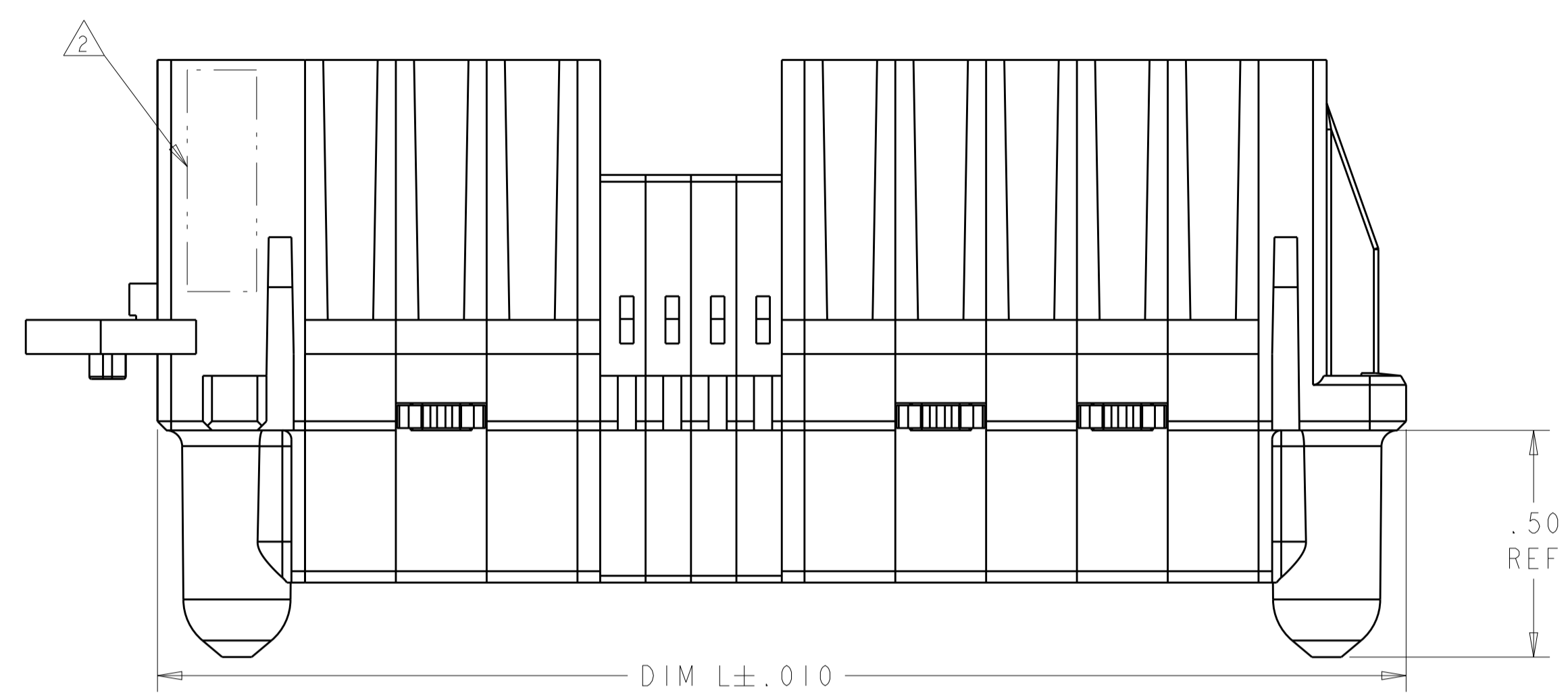
Address: A1208, Overseas Decoration Building, #122 Zhenhua RD., Futian, Shenzhen, China



LOC	DIST	REVISIONS					
		P	LTN	DESCRIPTION	DATE	DWN	APVD
ES	00						
		E2		ADDED NEW DASH NUMBER 3-2	05FEB2016	CZ	SZ
		E3		ADDED NEW DASH NUMBER 3-3	30MAY2016	CZ	SZ
		E4		ADDED NEW DASH NUMBER 3-4	12AUG2016	CZ	SZ



SCALE 2:1


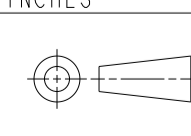


THIS DRAWING IS A CONTROLLED DOCUMENT.		DWN C. ZHOU CHK S. ZHAO	18DEC2006 14SEP2007	TE Connectivity NAME SLIDE TO LOCK PANEL MOUNT CABLE RECEPTACLE HOUSING WITH GUIDES MULTI-BEAM XL
DIMENSIONS: INCHES	TOLERANCES UNLESS OTHERWISE SPECIFIED:	APVD S. YAO	PRODUCT SPEC 108-2157	
0 PLC ±. 1 PLC ±.01 2 PLC ±.005 3 PLC ±.005 4 PLC ±.0020 ANGLES ±.020	FINISH	APPLICATION SPEC 114-13112	RESTRICTED TO	
MATERIAL		WEIGHT	SIZE A100779	
		Customer Drawing	SCALE 7:2 SHEET 1 OF 6 REV E4	

LOC		DIST		REVISIONS			
P	LTN	DESCRIPTION	DATE	DWN	APVD		
-		SEE SHEET 1					

REFERENCE WIRE CHART AND CONTACTS		
HOUSING MODULE	CONTACT	INSULATION DIAMETER RANGE
.300 POWER	8 - 10 1600960 REF	[.176 - .272]
.250 POWER	8 - 10 1600960 REF	[.176 - .203]
	12 - 14 1600961 REF	[.156 - .176]
.200 POWER	12 - 14 1600961 REF	[.120 - .156]
.100 SIGNAL	22 - 26 5531216-3 REF	[.036 - .069]

2.340	.250	.250	1.700	1.350	.875	2.050	.450	2P+ 16S + 2P	3-292498-4
1.740	-	.250	1.100	-	.875	1.450	.450	2P(12AWG) + 12S	3-292498-3
1.740	-	-	1.100	1.000	.625	1.450	.450	1HDP + 12S + 1HDP	3-292498-2
1.365	-	-	.725	-	.400	1.075	-	16S	3-292498-1
2.415	.250	-	1.775	.925	.425	2.125	-	0P + 16S + 4P	3-292498-0
2.315	.250	-	1.675	.825	.425	2.025	-	0P + 12S + 4P	2-292498-9
2.290	-	.300	1.650	-	1.325	2.000	.475	3ACP + 16S	2-292498-8
2.165	-	-	1.525	-	.400	1.875	-	48S	2-292498-7
2.565	-	-	1.925	-	.400	2.275	-	64S	2-292498-6
2.540	.200	.200	1.900	1.550	.875	2.250	.450	2P + 24S + 2P	2-292498-5
1.765	-	-	1.125	-	.400	1.475	-	32S	2-292498-4
1.140	-	-	.500	-	.375	.850	-	8S	2-292498-3
1.240	-	-	.600	-	.375	.950	-	12S	2-292498-2
2.740	-	-	2.100	-	.375	2.450	-	72S	2-292498-1
2.365	-	.375	1.725	-	1.500	2.075	.425	3P + 12S	2-292498-0
1.040	-	-	.400	-	.375	.750	-	4S	1-292498-8
2.840	.300	.300	2.200	1.775	1.025	2.550	.475	2ACP + 24S + 2ACP	1-292498-7
2.215	-	-	1.575	1.425	.700	1.925	.475	1P + 24S + 1P	1-292498-5
3.965	-	-	3.325	-	.400	3.675	-	120S	1-292498-4
3.440	.200	.200	2.800	2.525	2.025	3.150	.425	8P + 16S + 2P	1-292498-3
1.240	-	-	.600	-	.425	.950	-	8S	1-292498-2
2.740	.250	.250	2.100	1.500	1.175	2.450	.450	3P + 8S + 3P	1-292498-1
1.740	-	-	1.100	1.000	.675	1.450	.450	1P + 8S + 1P	1-292498-0
2.140	-	-	1.500	1.400	.675	1.850	.450	1P + 24S + 1P	292498-9
3.465	-	△	2.825	-	2.300	3.175	.475	3ACP + 4P + 24S	292498-8
2.240	.250	.250	1.600	1.250	.925	1.950	.450	2P + 8S + 2P	292498-7
3.240	.200	.200	2.600	1.925	1.225	2.950	.425	4HDP + 24S + 4HDP	292498-6
2.640	.250	.300	2.000	1.650	1.325	2.350	.475	3ACP + 8S + 2P	292498-5
1.940	-	-	1.300	1.200	.675	1.650	.450	1P + 16S + 1P	292498-4
3.240	.200	.200	2.600	2.525	2.025	2.950	.425	8P + 16S + 1P	292498-3
2.640	.250	.250	2.000	1.650	.925	2.350	.450	2P + 24S + 2P	292498-2
3.040	.200	.200	2.400	1.925	1.425	2.750	.425	5P + 16S + 3P	292498-1
DIM E REF	DIM T	DIM S	DIM U	DIM R	DIM W	DIM L	DIM K	DESCRIPTION	PART NUMBER

THIS DRAWING IS A CONTROLLED DOCUMENT.		DWN C. ZHOU CHK S. ZHAO APVD S. YAO	18DEC2006 14SEP2007	 TE Connectivity
DIMENSIONS: INCHES		TOLERANCES UNLESS OTHERWISE SPECIFIED: 0 PLC ±. 1 PLC ±.01 2 PLC ±.01 3 PLC ±.005 4 PLC ±.0020 ANGLES ±.0020		
		NAME SLIDE TO LOCK PANEL MOUNT CABLE RECEPTACLE HOUSING WITH GUIDES MULTI-BEAM XL		RESTRICTED TO A100779C=292498
MATERIAL		PRODUCT SPEC 108-2157 APPLICATION SPEC 114-13112		
FINISH		SIZE CAGE CODE DRAWING NO 114-13112		SCALE 4:1 SHEET 2 OF 6 REV E4
Customer Drawing				

LOC	DIST	REVISIONS			
P	LTN	DESCRIPTION	DATE	DMN	APVD
-	-	SEE SHEET 1	-	-	-

PART NUMBER	ROWS	POWER			SIGNAL				POWER				
		P8	P7	P6	4	3	2	1	P5	P4	P3	P2	P1
292498-1	D	RA	RA	RA	E	E	E	E	RM	RM	RM	RM	RM
	C	RA	RA	RA	E	E	E	E	RM	RM	RM	RM	RM
	B	RA	RA	RA	E	E	E	E	RM	RM	RM	RM	RM
	A	RA	RA	RA	E	E	E	E	RM	RM	RM	RM	RM
5P + 16S + 3P													

PART NUMBER	ROWS	POWER		SIGNAL					POWER		
		P4	P3	6	5	4	3	2	1	P2	P1
292498-2	D	RM	RM	E	E	E	E	E	E	RA	RA
	C	RM	RM	E	E	E	E	E	E	RA	RA
	B	RM	RM	E	E	E	E	E	E	RA	RA
	A	RM	RM	E	E	E	E	E	E	RA	RA
2P + 24S + 2P											

PART NUMBER	ROWS	POWER	SIGNAL				POWER							
		P9	4	3	2	1	P8	P7	P6	P5	P4	P3	P2	P1
292498-3	D	RM	E	E	E	E	RA	RA	RA	RM	RM	RM	RM	RM
	C	RM	E	E	E	E	RA	RA	RA	RM	RM	RM	RM	RM
	B	RM	E	E	E	E	RA	RA	RA	RM	RM	RM	RM	RM
	A	RM	E	E	E	E	RA	RA	RA	RM	RM	RM	RM	RM
8P + 16S + 1P														

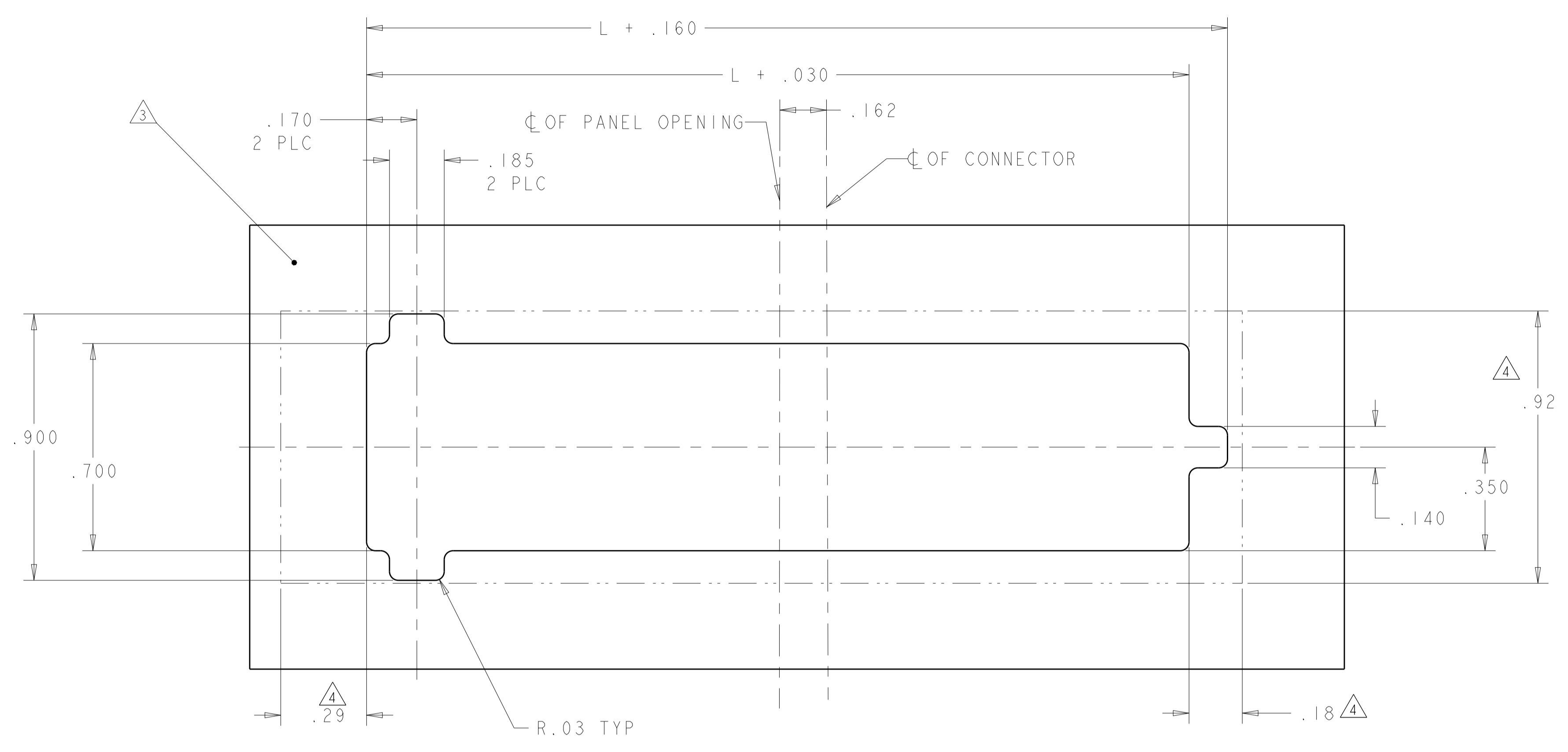
NO CONTACT LOADED

PART NUMBER	ROWS	POWER	SIGNAL			POWER	
		P2	4	3	2	1	P1
292498-4	D	RM	E	E	E	E	RM
	C	RM	E	E	E	E	RM
	B	RM	E	E	E	E	RM
	A	RM	E	E	E	E	RM
1P + 16S + 1P							

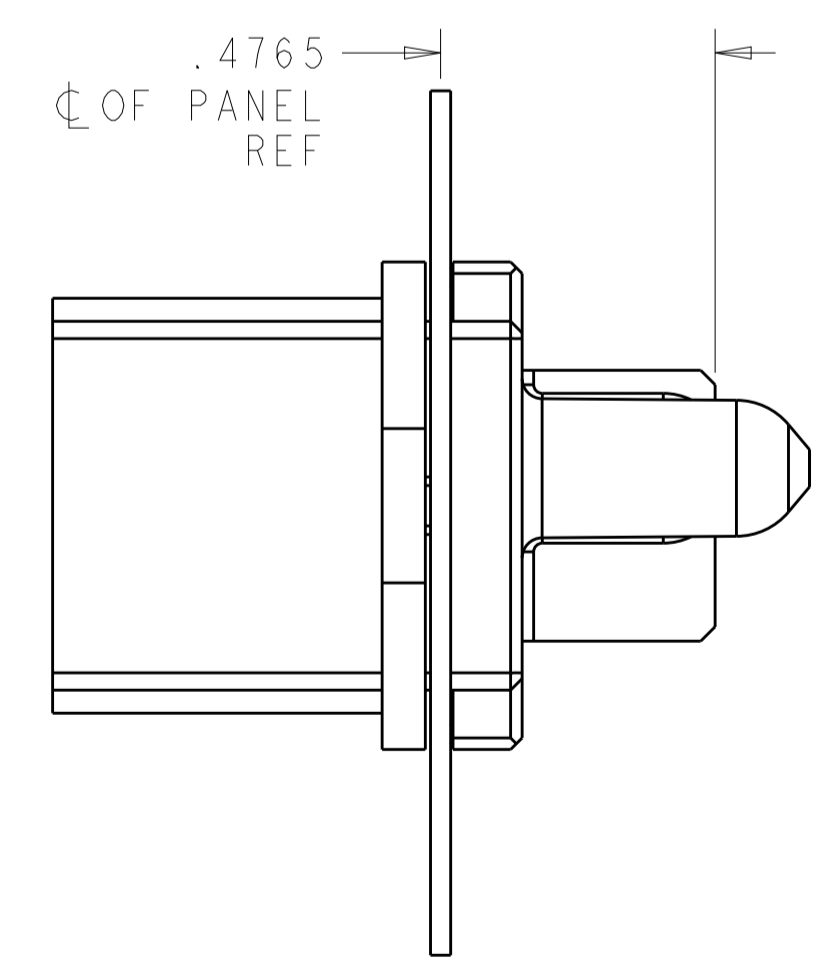
PART NUMBER	ROWS	POWER		SIGNAL		POWER		
		P5	P4	2	1	P3	P2	P1
292498-5	D	RM	RM	E	E	RA	RM	RM
	C	RM	RM	E	E	RA	RM	RM
	B	RM	RM	E	E	RA	RM	RM
	A	RM	RM	E	E	RA	RM	RM
3ACP + 8S + 2P								

PART NUMBER	ROWS	POWER		SIGNAL		POWER	
		P4	P3	2	1	P2	P1
292498-7	D	RM	RM	E	E	RM	RM
	C	RM	RM	E	E	RM	RM
	B	RM	RM	E	E	RM	RM
	A	RM	RM	E	E	RM	RM
2P + 8S + 2P							

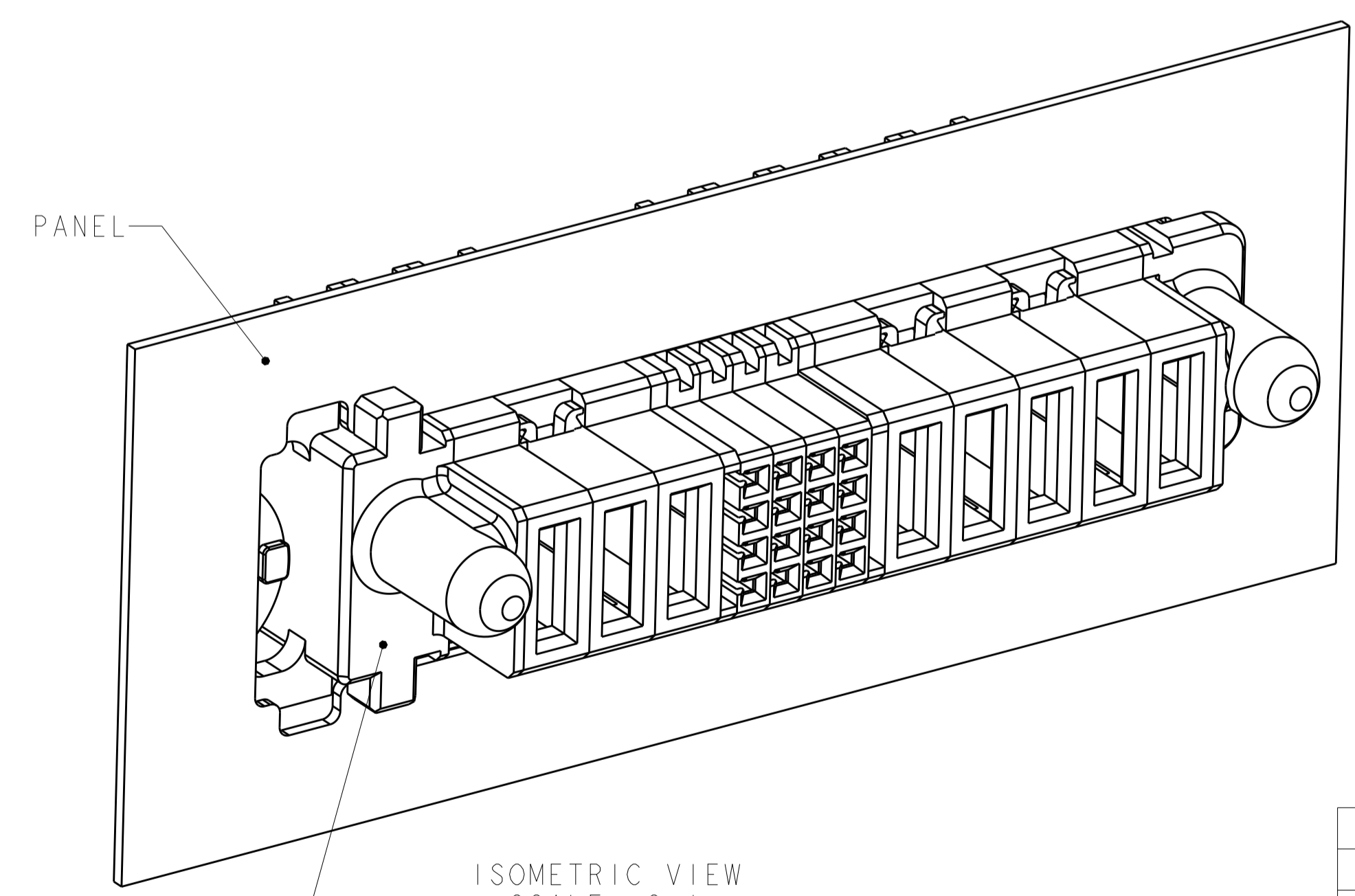
PART NUMBER	ROWS	POWER				SIGNAL					POWER				
		P8	P7	P6	P5	6	5	4	3	2	1	P4	P3	P2	P1
292498-6	D	RM	RM	RM	RM	E	E	E	E	E	E	RM	RM	RM	RM
	C	RM	RM	RM	RM	E	E	E	E	E	E	RM	RM	RM	RM
	B	RM	RM	RM	RM	E	E	E	E	E	E	RM	RM	RM	RM
	A	RM	RM	RM	RM	E	E	E	E	E	E	RM	RM	RM	RM
4HDP + 24S + 4HDP															



PANEL LAYOUT



SIDE VIEW CONNECTOR IN PANEL SCALE 3:1



ISOMETRIC VIEW SCALE 3:1

CODE	DESCRIPTION
E	SIGNAL CONTACT
RM	STANDARD POWER CONTACT
RA	MFBL POWER CONTACT
CODE	DESCRIPTION

CONTACT TABLE

THIS DRAWING IS A CONTROLLED DOCUMENT.

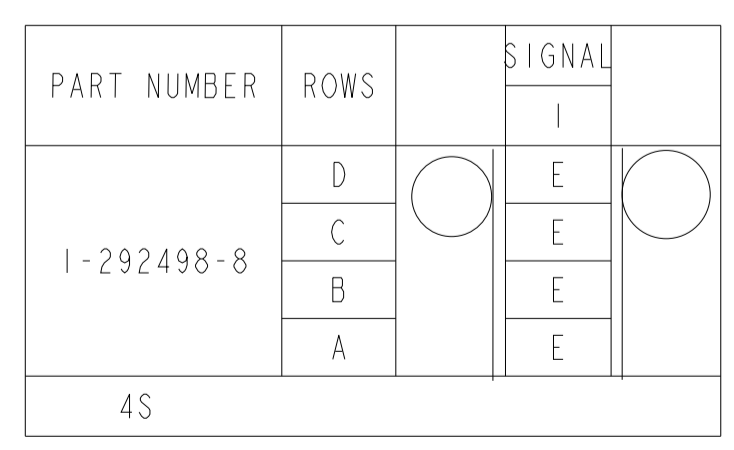
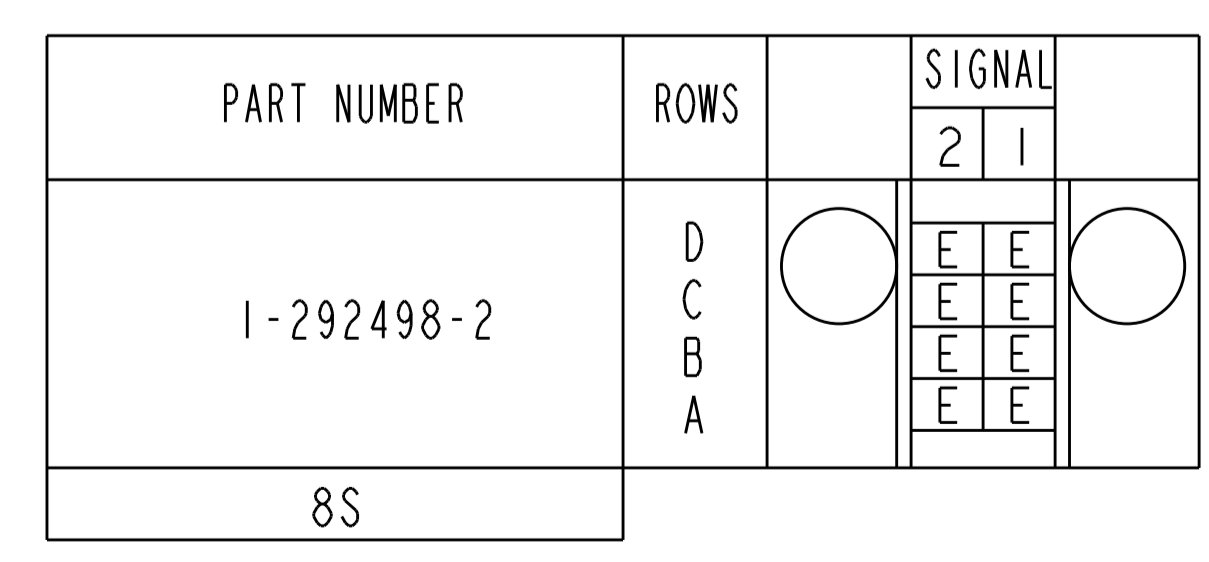
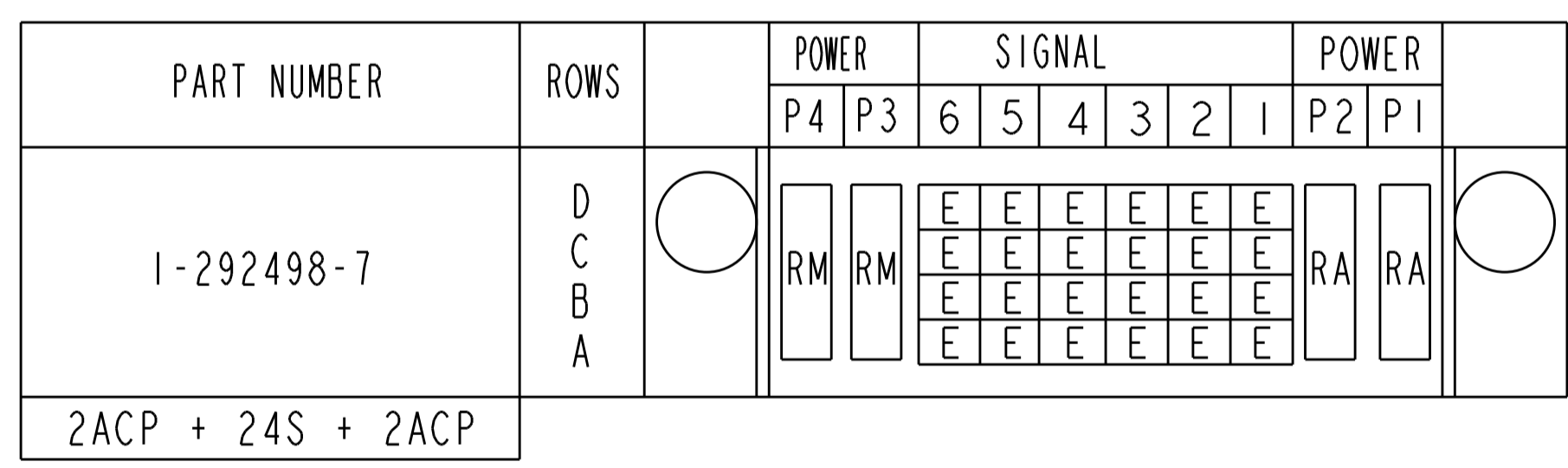
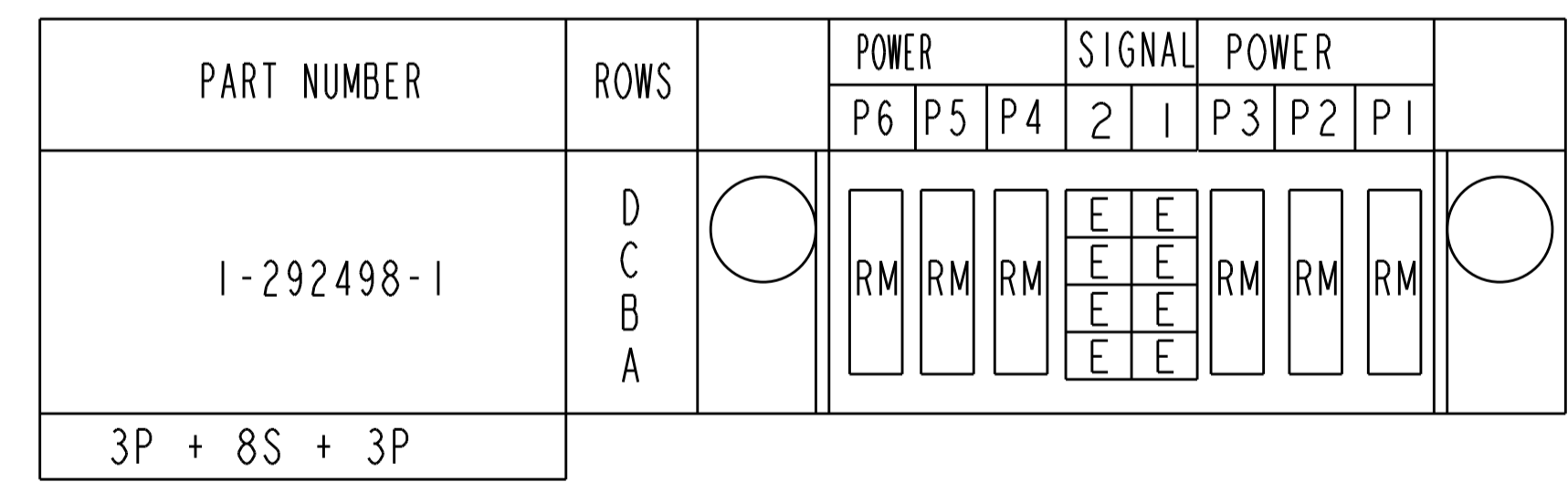
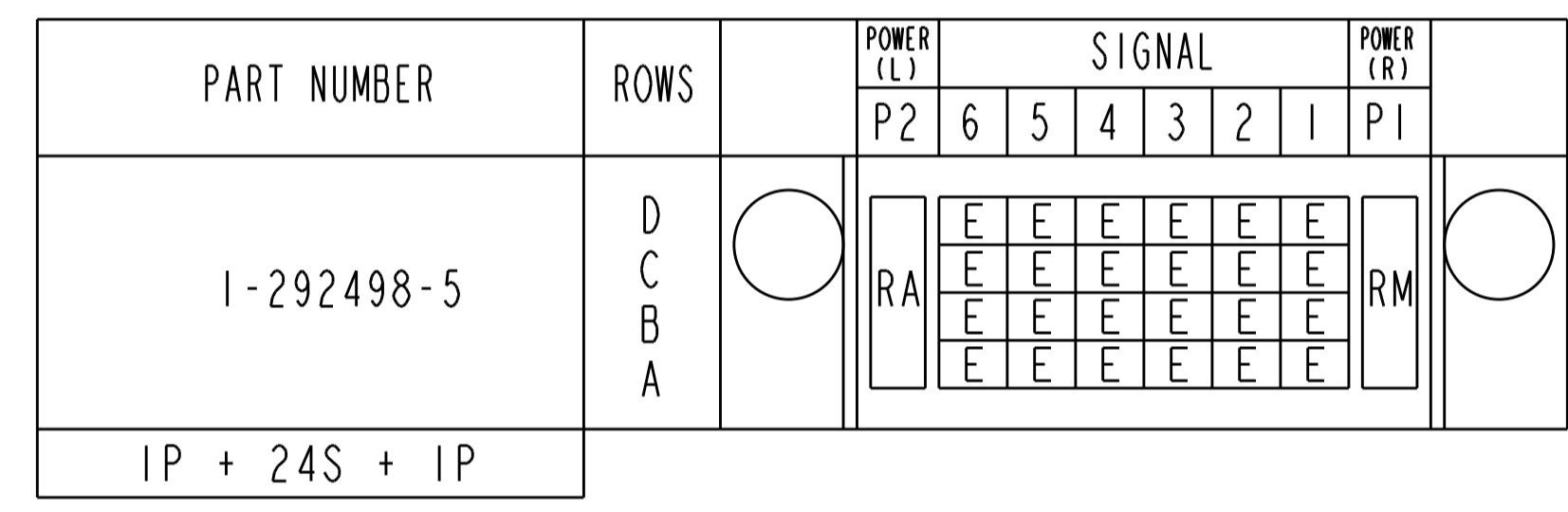
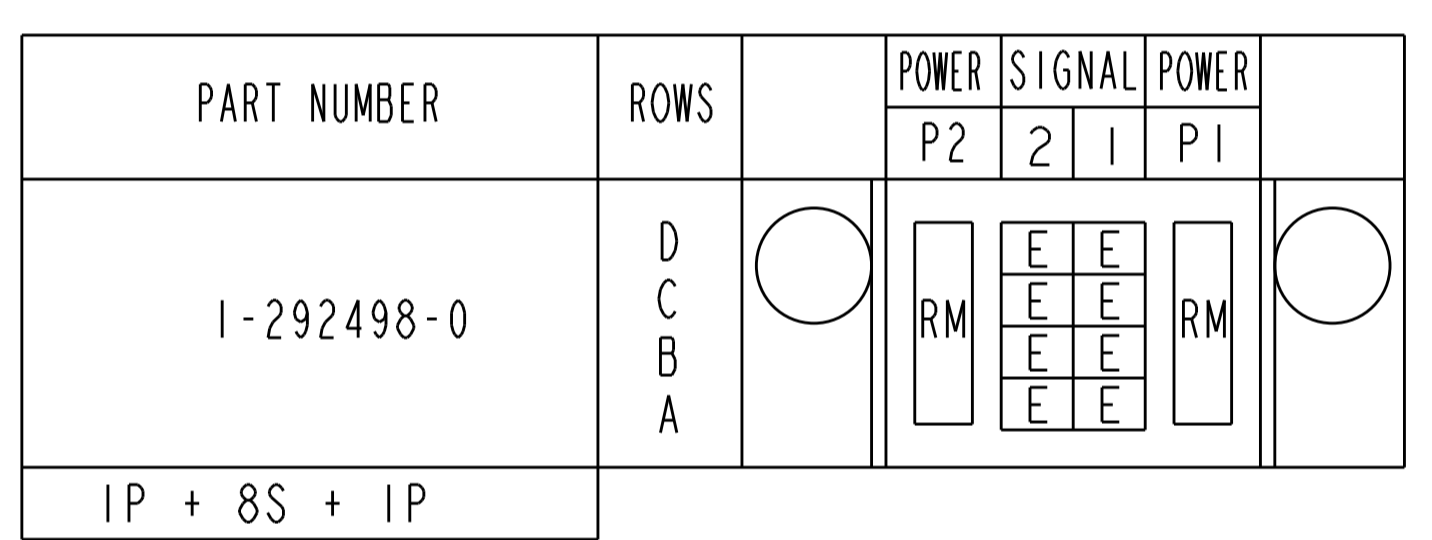
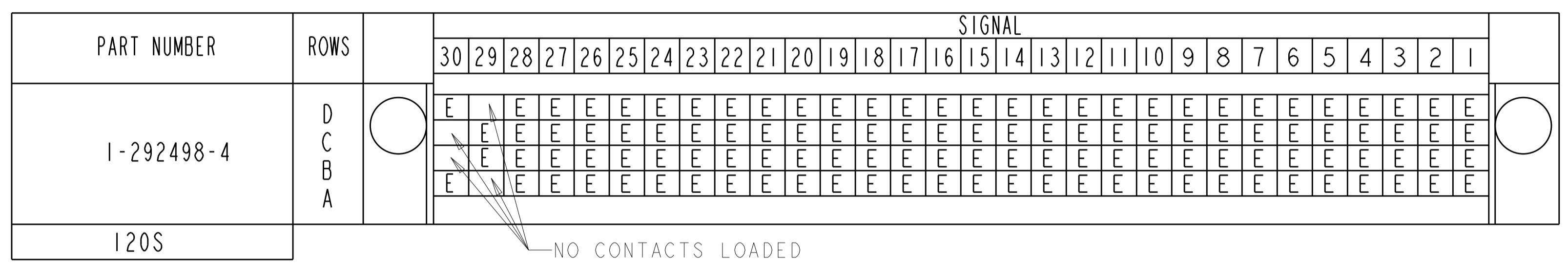
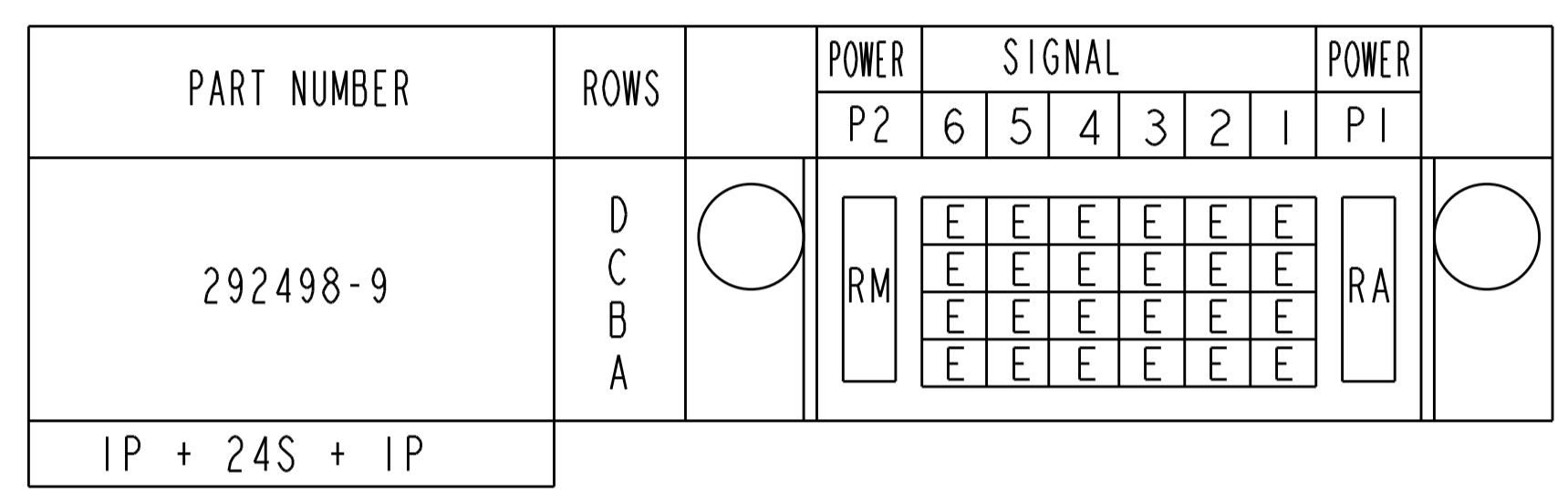
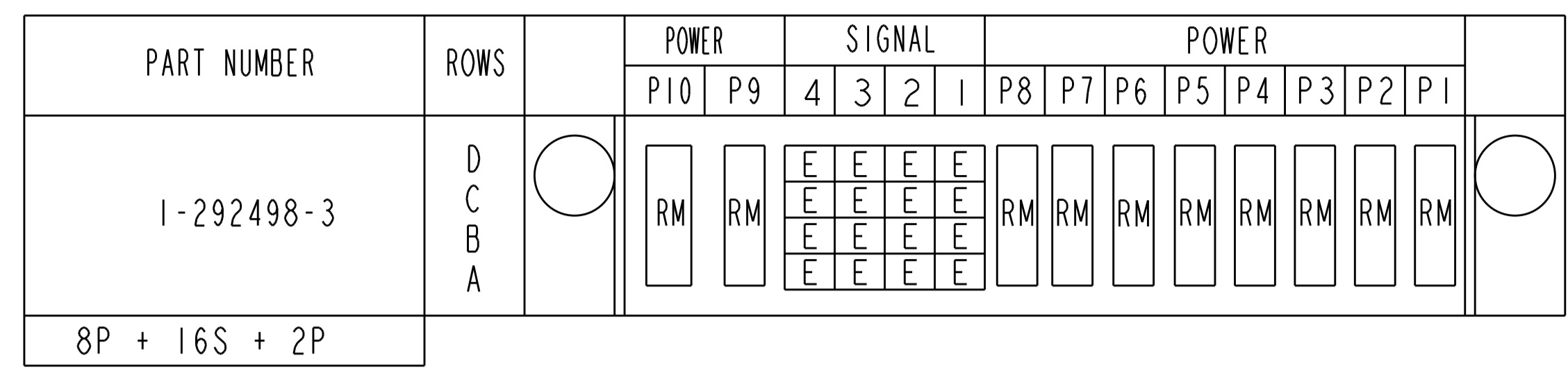
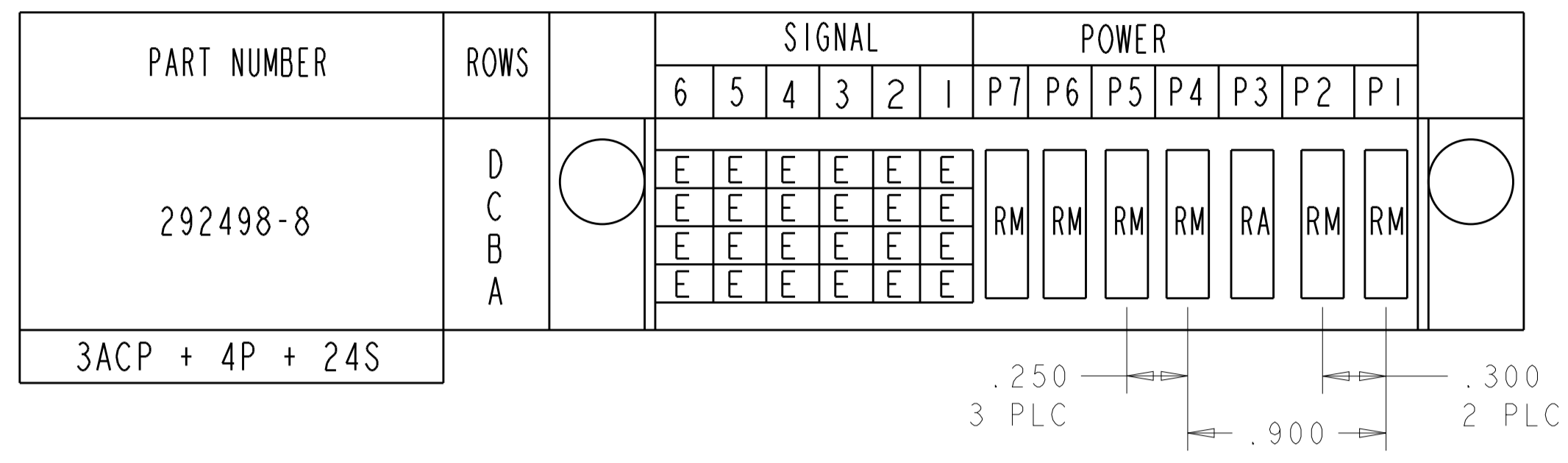
DIMENSIONS: INCHES	TOLERANCES UNLESS OTHERWISE SPECIFIED:	DMN: C. ZHOU 18DEC2006	CHK: S. ZHAO 14SEP2007
0 PLC ±.01	1 PLC ±.01	APVD: S. YAO	NAME: S. YAO
2 PLC ±.01	3 PLC ±.005	PRODUCT SPEC: 108-2157	APPLICATION SPEC: 114-13112
4 PLC ±.0020	ANGLES ±.020	WEIGHT: -	RESTRICTED TO: -
MATERIAL: -	FINISH: -	Customer Drawing	SCALE: 4:1 SHEET 3 OF 6 REV: E4

STE TE Connectivity

SLIDE TO LOCK PANEL MOUNT CABLE RECEPTACLE HOUSING WITH GUIDES MULTI-BEAM XL

SIZE: A1 CAGE CODE: 114-13112 DRAWING NO: 100779 ©=292498

LOC	DIST	REVISIONS			
P	LTN	DESCRIPTION	DATE	DWN	APVD
-	-	SEE SHEET 1	-	-	-



THIS DRAWING IS A CONTROLLED DOCUMENT.		DWN: C.ZHOU 18DEC2006	STE TE Connectivity										
DIMENSIONS: INCHES		CHK: S.ZHAO 14SEP2007											
TOLERANCES UNLESS OTHERWISE SPECIFIED:		APVD: S.YAO	NAME: SLIDE TO LOCK PANEL MOUNT CABLE RECEPTACLE HOUSING WITH GUIDES MULTI-BEAM XL										
<table border="1"> <tr><td>0 PLC</td><td>±</td></tr> <tr><td>1 PLC</td><td>±.01</td></tr> <tr><td>3 PLC</td><td>±.005</td></tr> <tr><td>4 PLC</td><td>±.0020</td></tr> <tr><td>ANGLES</td><td>±.2°</td></tr> </table>		0 PLC	±	1 PLC	±.01	3 PLC	±.005	4 PLC	±.0020	ANGLES	±.2°	PRODUCT SPEC: 108-2157	SIZE: A1
0 PLC	±												
1 PLC	±.01												
3 PLC	±.005												
4 PLC	±.0020												
ANGLES	±.2°												
MATERIAL: -		APPLICATION SPEC: 114-13112	CAGE CODE: C=292498										
FINISH: -		WEIGHT: -	DRAWING NO: 100779										
Customer Drawing		SCALE: 4:1	SHEET 4 OF 6										

LOC	DIST	REVISIONS			
P	LTN	DESCRIPTION	DATE	DNM	APVD
-	-	SEE SHEET 1	-	-	-

PART NUMBER	ROWS	SIGNAL			POWER		
		3	2	1	3	2	1
2-292498-0	D	E	E	E	RM	RM	RM
	C	E	E	E			
	B	E	E	E			
	A	E	E	E			
3P + 12S							

PART NUMBER	ROWS	POWER		SIGNAL							POWER		
		P4	P3	6	5	4	3	2	1	P2	P1		
2-292498-5	D	RM	RM	E	E	E	E	E	E	E	E	RM	RM
	C			E	E	E	E	E	E	E			
	B			E	E	E	E	E	E	E			
	A			E	E	E	E	E	E	E			
2P + 24S + 2P													

PART NUMBER	ROWS	SIGNAL																		
		18	17	16	15	14	13	12	11	10	9	8	7	6	5	4	3	2	1	
2-292498-1	D	E	E	E	E	E	E	E	E	E	E	E	E	E	E	E	E	E	E	
	C	E	E	E	E	E	E	E	E	E	E	E	E	E	E	E	E	E	E	
	B	E	E	E	E	E	E	E	E	E	E	E	E	E	E	E	E	E	E	
	A	E	E	E	E	E	E	E	E	E	E	E	E	E	E	E	E	E	E	
72S																				

PART NUMBER	ROWS	SIGNAL															
		16	15	14	13	12	11	10	9	8	7	6	5	4	3	2	1
2-292498-6	D	E	E	E	E	E	E	E	E	E	E	E	E	E	E	E	E
	C	E	E	E	E	E	E	E	E	E	E	E	E	E	E	E	E
	B	E	E	E	E	E	E	E	E	E	E	E	E	E	E	E	E
	A	E	E	E	E	E	E	E	E	E	E	E	E	E	E	E	E
64S																	

PART NUMBER	ROWS	SIGNAL		
		3	2	1
2-292498-2	D	E	E	E
	C	E	E	E
	B	E	E	E
	A	E	E	E
12S				

PART NUMBER	ROWS	SIGNAL											
		12	11	10	9	8	7	6	5	4	3	2	1
2-292498-7	D	E	E	E	E	E	E	E	E	E	E	E	E
	C	E	E	E	E	E	E	E	E	E	E	E	E
	B	E	E	E	E	E	E	E	E	E	E	E	E
	A	E	E	E	E	E	E	E	E	E	E	E	E
48S													

PART NUMBER	ROWS	SIGNAL	
		2	1
2-292498-3	D	E	E
	C	E	E
	B	E	E
	A	E	E
8S			

PART NUMBER	ROWS	SIGNAL				POWER		
		4	3	2	1	P3	P2	P1
2-292498-8	D	E	E	E	E	RM	RA	RM
	C	E	E	E	E			
	B	E	E	E	E			
	A	E	E	E	E			
3ACP + 16S								

PART NUMBER	ROWS	SIGNAL							
		8	7	6	5	4	3	2	1
2-292498-4	D	E	E	E	E	E	E	E	E
	C	E	E	E	E	E	E	E	E
	B	E	E	E	E	E	E	E	E
	A	E	E	E	E	E	E	E	E
32S									

PART NUMBER	ROWS	POWER				SIGNAL			
		P4	P3	P2	P1	4	3	2	1
3-292498-0	D	RM	RM	RM	RM	E	E	E	E
	C					E	E	E	E
	B					E	E	E	E
	A					E	E	E	E
OP + 16S + 4P									

PART NUMBER	ROWS	POWER				SIGNAL		
		P4	P3	P2	P1	3	2	1
2-292498-9	D	RM	RM	RM	RM	E	E	E
	C					E	E	E
	B					E	E	E
	A					E	E	E
OP + 12S + 4P								

PART NUMBER	ROWS	SIGNAL			
		4	3	2	1
3-292498-1	D	E	E	E	E
	C	E	E	E	E
	B	E	E	E	E
	A	E	E	E	E
16S					

THIS DRAWING IS A CONTROLLED DOCUMENT.

DIMENSIONS: INCHES	TOLERANCES UNLESS OTHERWISE SPECIFIED:	0 PLC ±.010	1 PLC ±.010	2 PLC ±.010	3 PLC ±.005	4 PLC ±.0020	ANGLES ±.2°	FINISH
--------------------	--	-------------	-------------	-------------	-------------	--------------	-------------	--------

APVD: S. YAO	DATE: 14SEP2007	NAME: SLIDE TO LOCK PANEL MOUNT CABLE RECEPTACLE HOUSING WITH GUIDES MULTI-BEAM XL
PRODUCT SPEC: 108-2157	APPLICATION SPEC: 114-13112	SIZE: A1
WEIGHT: -	CAGE CODE: -	DRAWING NO: 292498
MATERIAL: -	FINISH: -	Customer Drawing


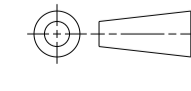
SCALE: 4:1 SHEET 5 OF 6 REV: E4

LOC		DIST		REVISIONS			
P	LTN	DESCRIPTION	DATE	DMN	APVD		
-		SEE SHEET 1	-	-	-		

PART NUMBER	ROWS		POWER		SIGNAL			POWER	
			P2		3	2	1	P1	
3-292498-2	D	○	RM		E	E	E	RM	
	C				E	E	E		
	B				E	E	E		
	A				E	E	E		
IP + 12S + IP									

PART NUMBER	ROWS		SIGNAL			POWER	
			3	2	1	2	1
3-292498-3	D	○	E	E	E	RA	RM
	C		E	E	E		
	B		E	E	E		
	A		E	E	E		
2P + 12S							

PART NUMBER	ROWS		POWER		SIGNAL				POWER		
			4	3	4	3	2	1	2	1	
3-292498-4	D		RM	RM	E	E	E	E	RM	RM	
	C				E	E	E	E			
	B				E	E	E	E			
	A				E	E	E	E			
2P + 16S + 2P											

THIS DRAWING IS A CONTROLLED DOCUMENT.		DMN C. ZHOU CHK S. ZHAO	18DEC2006 14SEP2007	 TE Connectivity	
DIMENSIONS: INCHES		TOLERANCES UNLESS OTHERWISE SPECIFIED:			
		0 PLC ±-	PRODUCT SPEC	SIZE CAGE CODE DRAWING NO	
		1 PLC ±.01	108-2157	A100779C=292498	
		2 PLC ±.01	APPLICATION SPEC	RESTRICTED TO	
		3 PLC ±.005	114-13112		
		4 PLC ±.0020	WEIGHT		
		ANGLES ±.2°	Customer Drawing	SCALE 4:1 SHEET 6 OF 6 REV E4	
MATERIAL		FINISH			