



Chipsmall Limited consists of a professional team with an average of over 10 year of expertise in the distribution of electronic components. Based in Hongkong, we have already established firm and mutual-benefit business relationships with customers from,Europe,America and south Asia,supplying obsolete and hard-to-find components to meet their specific needs.

With the principle of "Quality Parts,Customers Priority,Honest Operation,and Considerate Service",our business mainly focus on the distribution of electronic components. Line cards we deal with include Microchip,ALPS,ROHM,Xilinx,Pulse,ON,Everlight and Freescale. Main products comprise IC,Modules,Potentiometer,IC Socket,Relay,Connector.Our parts cover such applications as commercial,industrial, and automotives areas.

We are looking forward to setting up business relationship with you and hope to provide you with the best service and solution. Let us make a better world for our industry!



Contact us

Tel: +86-755-8981 8866 Fax: +86-755-8427 6832

Email & Skype: info@chipsmall.com Web: www.chipsmall.com

Address: A1208, Overseas Decoration Building, #122 Zhenhua RD., Futian, Shenzhen, China

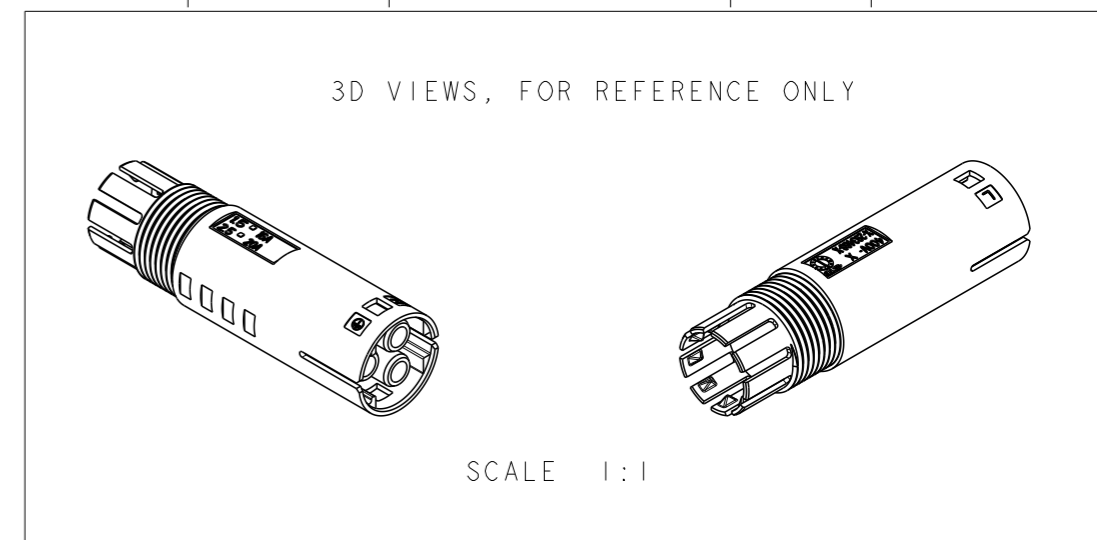
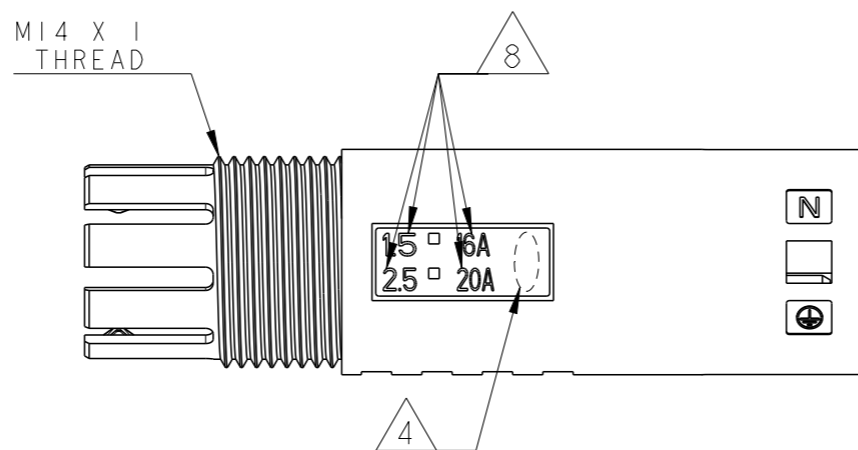
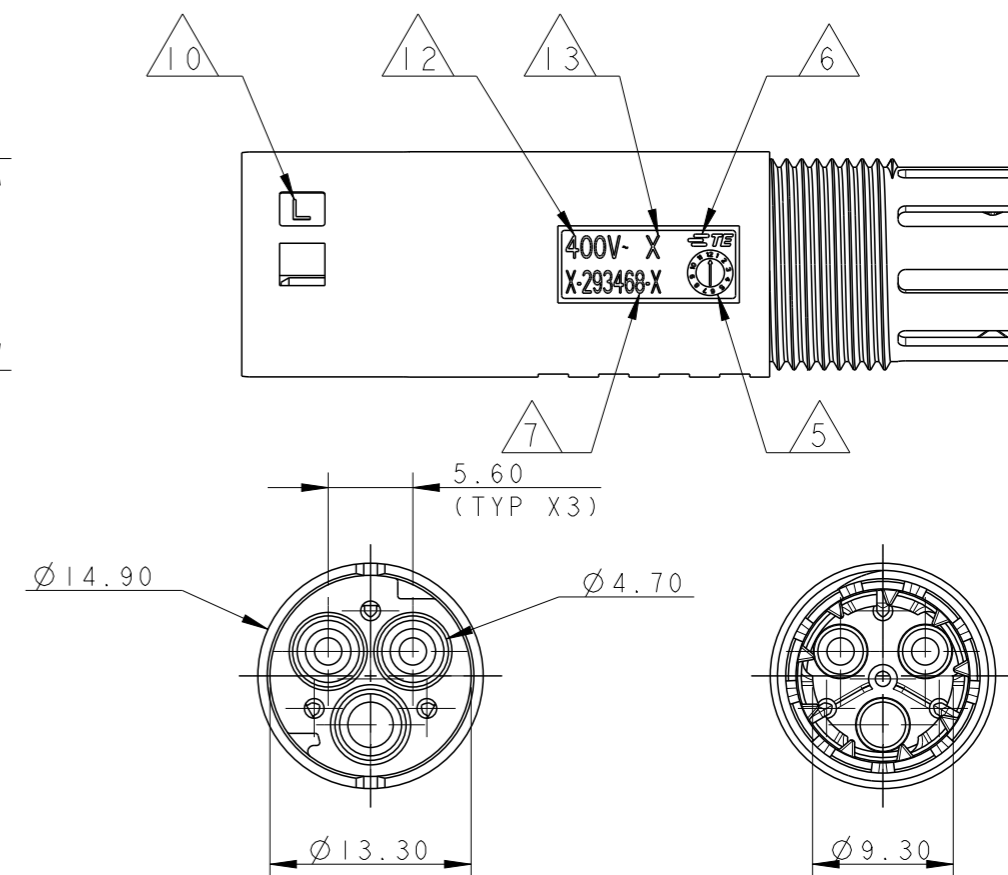
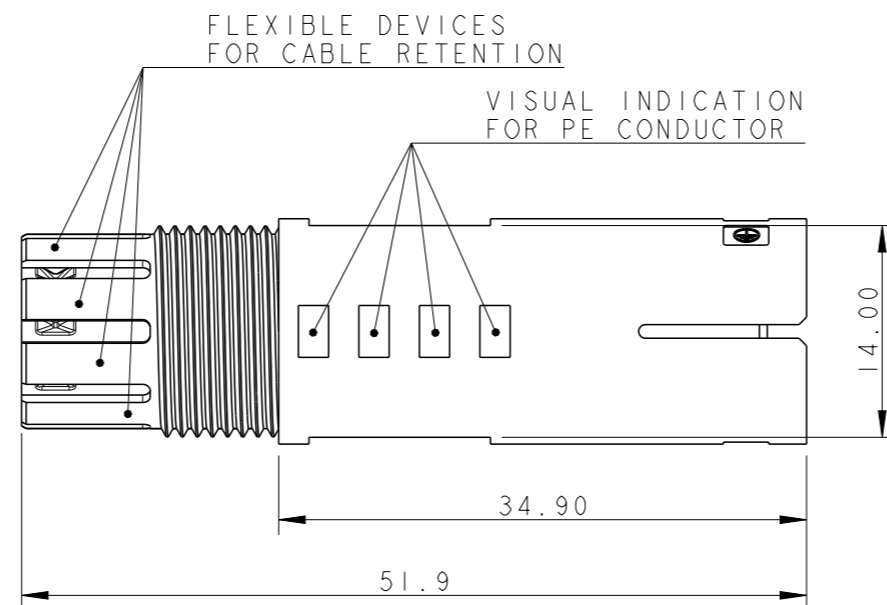




THIS DRAWING IS UNPUBLISHED. RELEASED FOR PUBLICATION 2010
 © COPYRIGHT 2010 Tyco Electronics AMP GmbH ALL RIGHTS RESERVED.

LOC	DIST	REVISIONS					
		P	LTR	DESCRIPTION	DATE	DWN	APVD
1	-		F1	REVISED PART NUMBERS	06JUN2011	MZ	GT
			G	PARTS -1 AND 1-1 RELEASED FOR PRODUCTION	12SEP2011	MZ	GT
			G1	REVISED MARKINGS	01NOV2012	MZ	JC
			G2	PARTS -2, -3, 1-2, 1-3 RELEASED FOR PRODUCTION	26JUN2013	KR	JC

NOTES:

- 1 MATERIAL: POLYAMIDE GLASS FILLED COLOUR NATURAL
- 2 MATERIAL: POLYAMIDE GLASS FILLED COLOUR BLACK
- 3) PACKAGING: SEE TE PACKAGING SPECIFICATION 107-20294
- 4 AREA FOR AGENCY APPROVAL LOGO
- 5 DATE CODE
- 6 TE LOGO
- 7 TE PART NUMBER
- 8 CONDUCTOR SIZE AND CURRENT RATING
- 9 N CODE
- 10 L CODE
- 11 PE CODE
- 12 RATED VOLTAGE
- 13 CAVITY MOULD NUMBER
- 14 PART NOT YET TOOLED AND RELEASED FOR PRODUCTION
- 15) FOR CABLE TYPE AND CABLE RANGE REFER TO CUSTOMER DRAWING 293607



THIS DRAWING IS A CONTROLLED DOCUMENT.		DWN M. ZUCCA 21OCT2009	 TE Connectivity	
DIMENSIONS: mm		CHK M. ZUCCA 21OCT2009		
TOLERANCES UNLESS OTHERWISE SPECIFIED:		APVD G. TURCO 21OCT2009	NAME SOCKET HOUSING FREE HANGING NECTOR* M-LINE 3 POSITIONS UNSEALED VERSION	
		PRODUCT SPEC 108-20304	SIZE A300779	
MATERIAL SEE NOTES		APPLICATION SPEC 114-20152	DRAWING NO G-293468	
FINISH -		WEIGHT ~4.6 g	RESTRICTED TO -	
		Customer Drawing	SCALE 2:1	SHEET 1 OF 2
			REV G2	

THIS DRAWING IS UNPUBLISHED. RELEASED FOR PUBLICATION 2010
 © COPYRIGHT 2010 Tyco Electronics AMP GmbH ALL RIGHTS RESERVED.

LOC	DIST	REVISIONS					
		P	LTR	DESCRIPTION	DATE	DWN	APVD
1	-	-	-	SEE SHEET 1	-	-	-

POLARIZATION TYPES

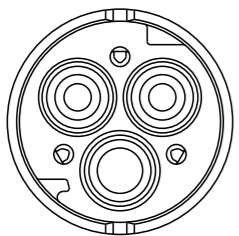
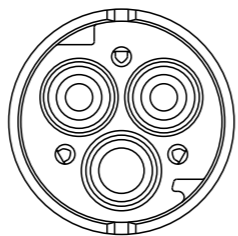
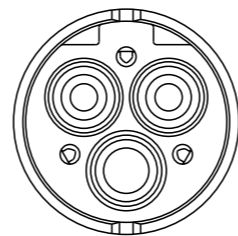
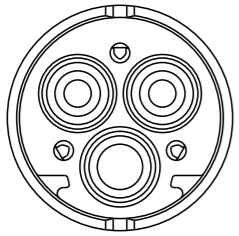
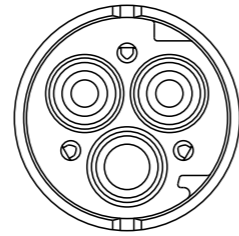
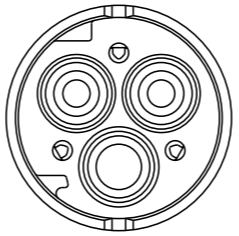

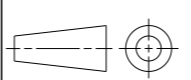
TYPE "A"	TYPE "B"	TYPE "C"
		
P/Ns: 0-293468-1, 1-293468-1	P/Ns: 0-293468-2, 1-293468-2	P/Ns: 0-293468-3, 1-293468-3
TYPE "D"	TYPE "E"	TYPE "F"
		
P/Ns: 0-293468-4, 1-293468-4	P/Ns: 0-293468-5, 1-293468-5	P/Ns: 0-293468-6, 1-293468-6

TABLE 1					
NOTE	POL. KEYING	COLOUR	DESCRIPTION	REV.	PART NUMBER
	F	BLACK	SOCKET HOUSING FREE HANGING VERSION NECTOR* M-LINE	F	1-293468-6
	E	BLACK	SOCKET HOUSING FREE HANGING VERSION NECTOR* M-LINE	F	1-293468-5
	D	BLACK	SOCKET HOUSING FREE HANGING VERSION NECTOR* M-LINE	F	1-293468-4
	C	BLACK	SOCKET HOUSING FREE HANGING VERSION NECTOR* M-LINE	G	1-293468-3
	B	BLACK	SOCKET HOUSING FREE HANGING VERSION NECTOR* M-LINE	G	1-293468-2
	A	BLACK	SOCKET HOUSING FREE HANGING VERSION NECTOR* M-LINE	G	1-293468-1
	F	NATURAL	SOCKET HOUSING FREE HANGING VERSION NECTOR* M-LINE	F	0-293468-6
	E	NATURAL	SOCKET HOUSING FREE HANGING VERSION NECTOR* M-LINE	F	0-293468-5
	D	NATURAL	SOCKET HOUSING FREE HANGING VERSION NECTOR* M-LINE	F	0-293468-4
	C	NATURAL	SOCKET HOUSING FREE HANGING VERSION NECTOR* M-LINE	G	0-293468-3
	B	NATURAL	SOCKET HOUSING FREE HANGING VERSION NECTOR* M-LINE	G	0-293468-2
	A	NATURAL	SOCKET HOUSING FREE HANGING VERSION NECTOR* M-LINE	G	0-293468-1

THIS DRAWING IS A CONTROLLED DOCUMENT.		DWN M. ZUCCA 21OCT2009	 TE Connectivity			
DIMENSIONS: mm		CHK M. ZUCCA 21OCT2009				
TOLERANCES UNLESS OTHERWISE SPECIFIED:		APVD G. TURCO 21OCT2009	NAME SOCKET HOUSING FREE HANGING NECTOR* M-LINE 3 POSITIONS UNSEALED VERSION			
		PRODUCT SPEC 108-20304				
MATERIAL SEE NOTES		APPLICATION SPEC 114-20152	SIZE A3	CAGE CODE 00779	DRAWING NO C-293468	RESTRICTED TO -
		WEIGHT ~4.6 g	SCALE 2:1		SHEET 2 OF 2	REV G2
		Customer Drawing				