



Chipsmall Limited consists of a professional team with an average of over 10 year of expertise in the distribution of electronic components. Based in Hongkong, we have already established firm and mutual-benefit business relationships with customers from,Europe,America and south Asia,supplying obsolete and hard-to-find components to meet their specific needs.

With the principle of “Quality Parts,Customers Priority,Honest Operation,and Considerate Service”,our business mainly focus on the distribution of electronic components. Line cards we deal with include Microchip,ALPS,ROHM,Xilinx,Pulse,ON,Everlight and Freescale. Main products comprise IC,Modules,Potentiometer,IC Socket,Relay,Connector.Our parts cover such applications as commercial,industrial, and automotives areas.

We are looking forward to setting up business relationship with you and hope to provide you with the best service and solution. Let us make a better world for our industry!



## Contact us

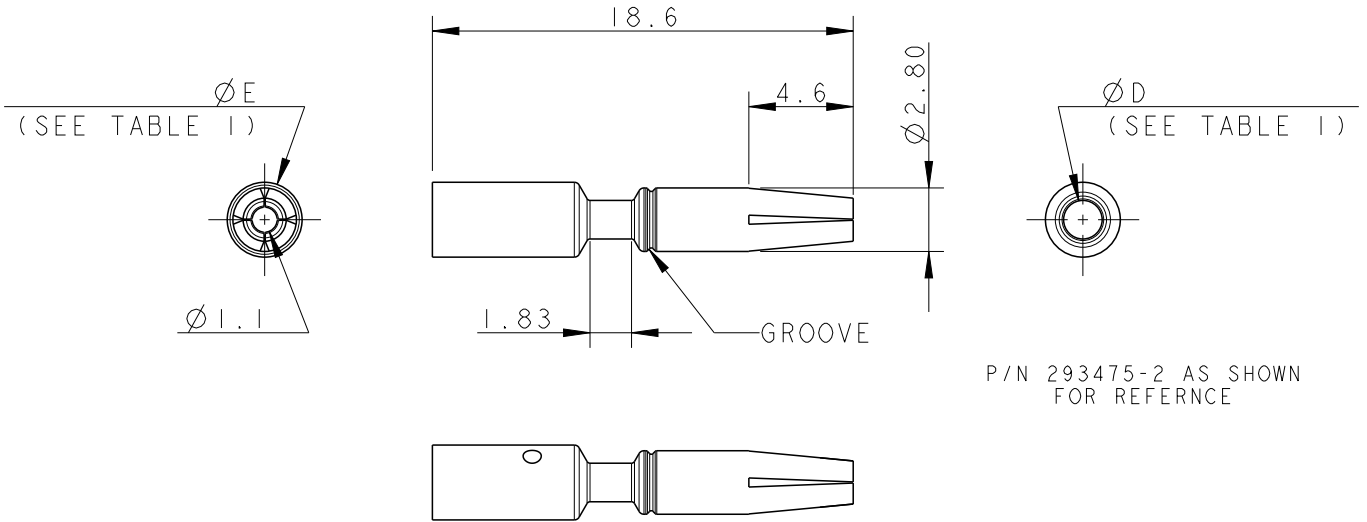
Tel: +86-755-8981 8866 Fax: +86-755-8427 6832

Email & Skype: info@chipsmall.com Web: www.chipsmall.com

Address: A1208, Overseas Decoration Building, #122 Zhenhua RD., Futian, Shenzhen, China



LOC	DIST	REVISIONS					
1	-	P	LTR	DESCRIPTION	DATE	DWN	APVD
			D	UPDATED	23MAY2014	MZ	JC
			E	UPDATED PART REVISION	12AUG2014	KR	JC
			F	UPDATED PART REVISION	18AUG2014	KR	JC
			G	ECR-15-009919 AND ECR-15-010559	15JUL2015	RS	JL



NOTES:

1) PACKAGING: SEE TE PACKAGING SPEC. 107-20294

2 PART NOT YET RELEASED FOR PRODUCTION

		2-293475-2
		1-293475-2
		293475-2
ADDITIONAL VIEWS, FOR REFERENCE	3D VIEWS FOR REFERENCE	PART NUMBER

2	4.0	3.9	2.8	0	~0.8	MACHINE SOCKET CONTACT NECTOR* M-LINE	2-293475-2
	2.5	3.3	2.2	0	~0.6	MACHINE SOCKET CONTACT NECTOR* M-LINE	1-293475-2
	1.5	3.3	1.7	1	~0.7	MACHINE SOCKET CONTACT NECTOR* M-LINE	293475-2
NOTE	CROSS SECTION (mm <sup>2</sup> )	NOM. DIM. "E"	NOM. DIM. "D"	NO. OF GROOVES	NET WEIGHT (g)	DESCRIPTION	PART NUMBER

2010 RELEASED FOR PUBLICATION ALL RIGHTS RESERVED. BY - COPYRIGHT 2010

DIMENSIONS: mm	DWN M. ZUCCA 23OCT2009	MATERIAL BRASS	FINISH TIN PLTD
TOLERANCES UNLESS OTHERWISE SPECIFIED:	CHK M. ZUCCA 23OCT2009	TE Connectivity	
0 PLC ±-	APVD G. TURCO 23OCT2009		
1 PLC ±0.3	PRODUCT SPEC 108-20304	NAME MACHINED SOCKET CONTACT NECTOR* M-LINE	
2 PLC ±0.20	APPLICATION SPEC 114-20152	SIZE A4	CAGE CODE 00779
3 PLC ±-	WEIGHT SEE TABLE 1	DRAWING NO	G=293475
4 PLC ±-	Customer Drawing	RESTRICTED TO	-
ANGLES ±3°		SCALE 3:1	SHEET 1 OF 1
			REV G